

— NOWY STYL GROUP® —

-forum-
seating®



TIAGO

Designed by: Stanisław Charaziak



CULTURE
CENTRES



FREEDOM OF CHOICE AND ARRANGEMENT FLEXIBILITY



PROJECT:
**STANISŁAW
CHARAZIAK**

Charaziak is a graduate from Academy of Fine Arts in Warsaw, the Faculty of Industrial Design. Since 1996 he has been dealing solely with industrial design. Charaziak defines his projects as „ergonomics and user comfort wrapped in an exceptional style.” So far he has designed more than 300 chairs, several cabinet furniture systems, cinema seats and auditorium systems, all of which have been produced. He only designs products to be manufactured on a mass scale. For Nowy Styl Group he has created the auditorium systems Oscar, Tiago and Vision, as well as a wooden furniture collection.

The Tiago armchair family comprises four seating lines designed by the Charaziak Design Studio. Stanisław Charaziak's great experience and unique talent have enabled him to design a well-thought out and intelligent product, which can be used to create unusual and harmonious arrangements.



The most characteristic feature of the Tiago line is its elegant yet simple and light form. Thanks to a wide range of upholstery fabrics, it is possible to give the armchairs a classic or modern look. An interesting effect can be achieved by combining the upholsteries with wooden elements. The armchair width is adjusted individually to the requirements of a particular space. It is possible to equip the armchair with a tilting backrest that provides users with greater freedom of movement. An additional option worth considering is a special panel that improves the acoustic parameters of the armchair.

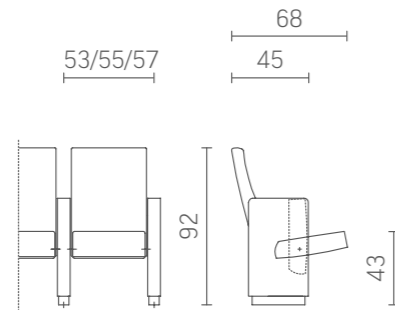
The Tiago armchairs have been designed in four different versions, which allows for adjusting the offer to the requirements of a particular facility and the expectations of the customer. Thanks to a wide range of details, the Tiago armchairs can match every space, regardless of its size and character. They are a perfect choice both for small modern buildings and spacious traditional facilities.

TIAGO AIDA

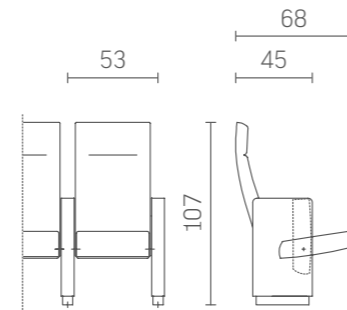
A classic line of fully upholstered chairs with a characteristic rectangular leg. These models can be equipped with a fixed or tilting backrest. The armchairs are also available with a foldable desktop that has an anti-panic function, which can be hidden inside a leg.

DIMENSIONS*:

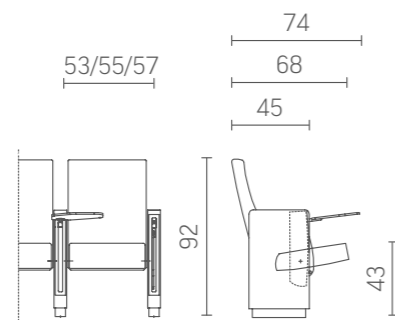
Tiago Aida LB



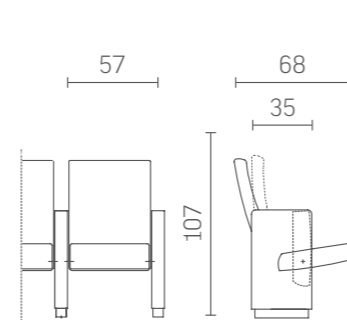
Tiago Aida HB



Tiago A with a desktop



Tiago A with a tilting backrest



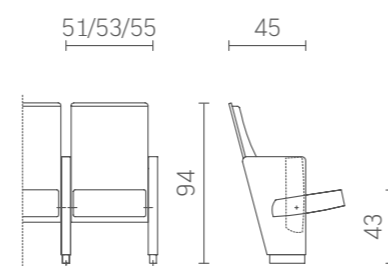
* Particular dimensions can be individually adjusted to a given project. All dimensions are in centimetres.

TIAGO ETIUDA

The Etudia line provides simple forms and exclusive wooden finishing elements. The back edge of the armchair leg and the backrest create one line that rises above the backrest cushion. Both the plywood legs and the backrest can be covered with a natural veneer, which gives the armchair an unusual and prestigious look.

DIMENSIONS*:

Tiago Etiuda



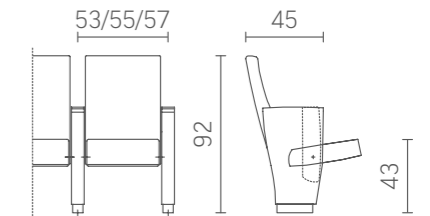
* Particular dimensions can be individually adjusted to a given project. All dimensions are in centimetres.

TIAGO CARMEN

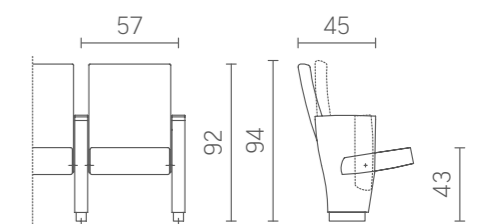
A line of comfortable, fully upholstered armchairs whose unique character is highlighted by beech armrests covers. They can be made of wood that matches the colour of the hall. The natural material is pleasant to the touch and ensures comfortable support.

DIMENSIONS*:

Tiago Carmen LB



Tiago Carmen LB with a tilting backrest



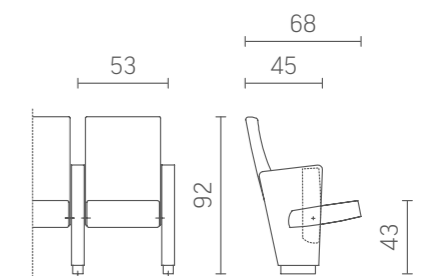
* Particular dimensions can be individually adjusted to a given project. All dimensions are in centimetres.

The Fosca line is characterised by a high and very comfortable armchair backrest. The armchair also looks impressive as a fully upholstered version. The most eye-catching elements of the line are the rounded armrests.

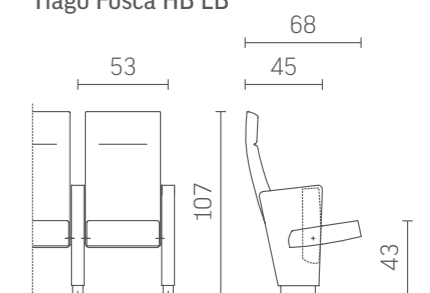
TIAGO FOSCA

DIMENSIONS*:

Tiago Fosca ST LB



Tiago Fosca HB LB



* Particular dimensions can be individually adjusted to a given project. All dimensions are in centimetres.



CERTIFIED PRODUCTION:

We manufacture products at a global level. Our chairs are characterised by top quality and the highest durability. In all of our production plants we have implemented the best quality management system:

ISO 9001:2000. At the same time, we take care of the natural environment. We use the environmental management systems created according to the **ISO 14001** standard in the majority of our factories. This enables

us to minimise our impact on the natural environment and confirms that our products contain no heavy metals.

ASSEMBLY OPTIONS:

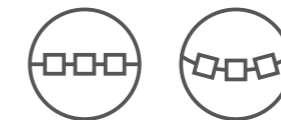
Floor type:



Flat

Stairs

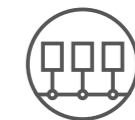
Armchair arrangement:



In a straight line

In a curve

Assembly types:



TYPE C
to the floor

