

— NOWY STYL GROUP® —

-forum-
seating®



MIA



AUDITORIA

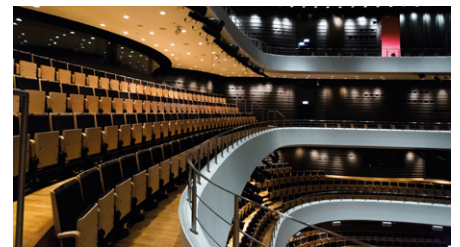


ARTIST IN THE AUDITORIUM

It is a modern armchair on a steel leg, designed for concert halls. It is light in form, yet very comfortable. The Mia armchair supports excellent acoustics, making it an ideal choice for music facilities.



©NATIONAL FORUM OF MUSIC, PHOTO ŁUKASZ RAJCHERT



©NATIONAL FORUM OF MUSIC, PHOTO ŁUKASZ RAJCHERT

Wooden elements are characteristic features of the armchair. Both the seat and backrest are made of contoured plywood rounded at the edges, with a comfortable cushion covered in upholstery fabric. The armchair has a modern look, with its visible frame and mounting elements. The upholstery and wood stain colours are selected for each individual project, with the client's approval. The plywood is also covered with transparent varnish, which adds an attractive sheen to the armchair.

The armchair is perfectly balanced, which makes it possible to mount it on one leg. Like the armchair frame, the leg is

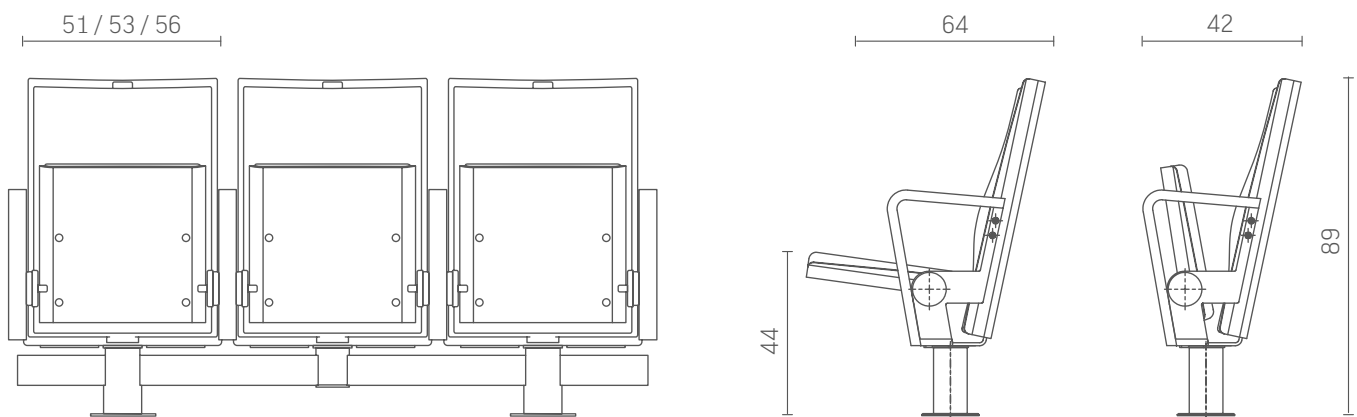
made of steel sheet coated with scratch-resistant black paint. It can be fitted with holes that facilitate airconditioning. More importantly, air circulation through the armchair base does not generate any noise.

Thanks to the spring mechanism, which is closed in a tight box made of sheet steel, the armchair can be folded silently.

The design solutions applied to the Mia armchair and the materials used in its production are exceptionally durable and provide the user with excellent comfort.



DIMENSIONS*:



* Particular dimensions can be individually adjusted to a given project.
All dimensions are in centimetres.

CHARACTERISTIC FEATURES AND AVAILABLE OPTIONS:

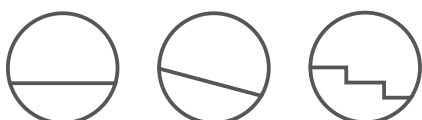
- The solid armrests, which complement the armchair perfectly, ensure great comfort. They are made of two pieces of beech solid wood that are stained in a colour selected by the client, and covered with transparent varnish.
- The armchair can be fitted with a folding desktop fixed to the leg, made of the same wood as the other chair elements.
- Different armchair and armrest depths are available, which allows for adjusting dimensions to a particular auditorium.

CERTIFIED PRODUCTION:

We manufacture products at a global level. Our chairs are characterised by top quality and the highest durability. In all of our production plants we have implemented the best quality management system **ISO 9001:2000**. At the same time, we take care of the natural environment. We use the environmental management systems created according to the **ISO 14001** standard in the majority of our factories. This enables us to minimise our impact on the natural environment and confirms that our products contain no heavy metals.

CHAIR ASSEMBLY OPTION:

Floor type:



Flat

Inclined

Inclined

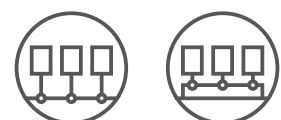
Armchair arrangement:



In a straight line

In a curve

Assembly types:



TYP C to the floor

TYP C on a beam