

HARRISON







SEATING SYSTEMS FOR DEMANDING AUDIENCES

Forum Seating is a brand owned by Nowy Styl Group. Its product portfolio includes auditorium seats designed for concert and lecture halls, cinema and theatre armchairs, stadium seats, telescopic tribunes and mobile auditoria. The brand accompanies customers at each stage of project implementation, supporting them with its sound knowledge and vast experience. It adopts an individual approach to every project and adjusts it to the requirements of a particular facility.

Forum Seating supplied chairs to two of the stadiums in South Africa that hosted the 2010 World Championship and to all of the Polish sports facilities where the 2012 European Championship in football took place. The football fans who watched matches in Lyon and Nice during the 2016 European Championship sat on Forum Seating's chairs as well. The brand also provided armchairs for cultural institutions, such as the National Forum of Music, the Polish National Radio Symphony Orchestra, Cité Musicale in Paris and the Opera House in Munich (for which the brand prepared replicas of historical armchairs in cooperation with an art restorer), famous theatres such as ROMA Musical Theatre in Warsaw and Leicester Square Theatre in London, as well as numerous concert halls, cinemas and universities, in Poland and abroad. In addition to comfort, functionality and durability, the

company pays great attention to sophisticated design. Therefore, the brand cooperates with well-known architects, e.g. Tomasz M. Konior, Stanisław Charaziak and Rebecca Stewart. To take care of music lovers, Forum Seating offers high quality acoustic solutions by cooperating with renowned companies, such as Nagata Acoustic and Artec. Forum Seating not only supplies products, but also ensures professional project management. The brand is able to meet the needs of even the most demanding clients. In Nice the brand took a challenge to assemble 36,000 seats in the break between French League seasons, carrying out a project in Lyon for 59,000 seats at the same time. In Germany it installed 60,000 armchairs in 27 cinemas during the night, so that the cinemas could continue to operate during their regular hours.





COMFORT IN EXPERIENCING EMOTIONS

A good film can transfer viewers to a completely different reality... provided they feel comfortable and are able to focus entirely on the things that happen on the silver screen. Therefore, it is crucial to furnish cinema halls with comfortable and durable armchairs with the right accessories.

The very sight of a wide armchair covered with soft upholstery makes a pleasurable first impression on cinema-goers. Sitting on it gives them most possible comfort all the way until the last minute of the film. The armchair backrest ensures ergonomic support for the user's back and allows them to make small natural body movements. Other important features of a cinema armchair are a seat of the right hardness and accessories, such as a cup holder, within the user's reach.

Thanks to our 20 years of experience in equipping cinemas, we know how to create an ideal cinema seat. We offer different armchair options that allow for choosing products and details adjusted to our clients' individual preferences.

We take responsibility for the entire equipment process – from defining our client's needs to carrying out quick and efficient assembly that hinders the cinema's functioning to the least extent possible.





Harrison fixed

Fixed seat, fully upholstered armrests



Harrison fixed

Fixed seat, integrated armrests



Harrison folding

Folding seat, fully upholstered armrests



Harrison folding

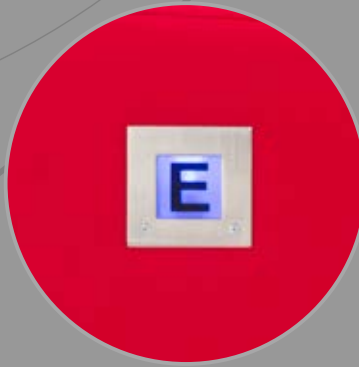
Folding seat, integrated armrests



ADDITIONAL EQUIPMENT



Round plate with a row number



Illuminated row number
Type B - LED (square), 12 V



Illuminated row number
Type A - Slimlight (round), 48 V



Embroidered seat number,
height 20 mm/30 mm



Replaceable seat number,
height 15 mm



Seat number engraved on the armrest,
height 16 mm



Backrest with a Slim headrest



Raised backrest with a Plus headrest



Isolated headrest



Swing function



Wooden armrest pad



Folding armrest



Cup holder GE (1 l)



Cup holder FS (1 or 1.5 l)



Bottle holder (folding armchair version)



Bottle holder fixed to the backrest



Removable place for a wheelchair



Step riser console



Full plastic backrest cover



2/3 plastic backrest cover



Metal armchair cover



Desktop on a column assembled between armchairs



Desktop assembled at the armchair back



Desktop assembled at the armrest



DYNAMIC

COMFORT SYSTEMS



SwingMode
DYNAMIC BACK SYSTEM



Glide-Tec
DYNAMIC SEAT SYSTEM



eMotion
DYNAMIC DRIVE SYSTEM



ProSonic
DYNAMIC SOUND SYSTEM

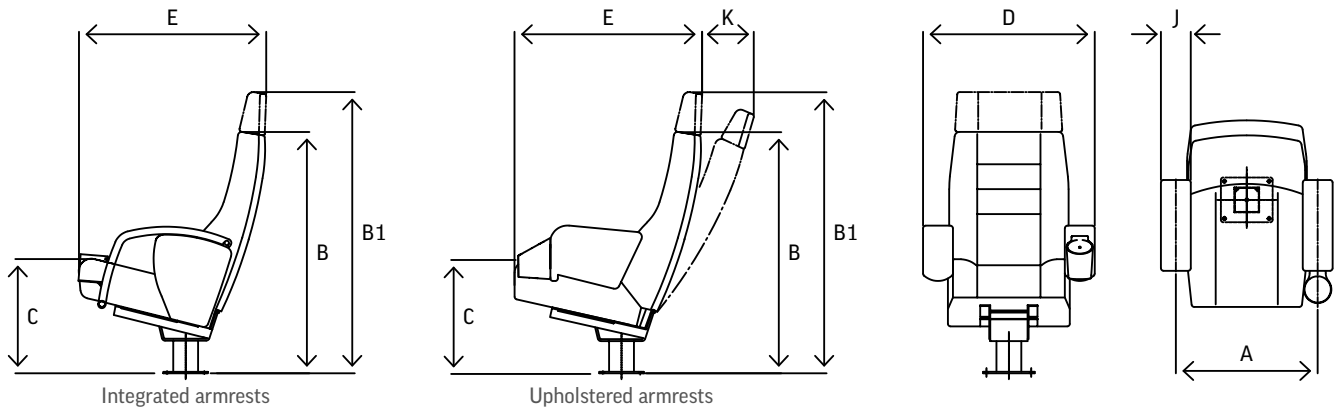
Our goal is to provide viewers with the best comfort possible, so we have developed an innovative range of dynamic seating systems based on our long-term experience in ergonomic seating development and protected by international patents.

To relax completely, the user needs the right body support, the optimal back position and a seat and footrest that ensure maximum freedom of movement. The dynamic sound system lets viewers experience

movie scenes packed with special effects better than ever before. Dynamic Comfort Systems provide the viewer with maximum comfort and great pleasure, even at cinemas with limited space.

DIMENSIONS

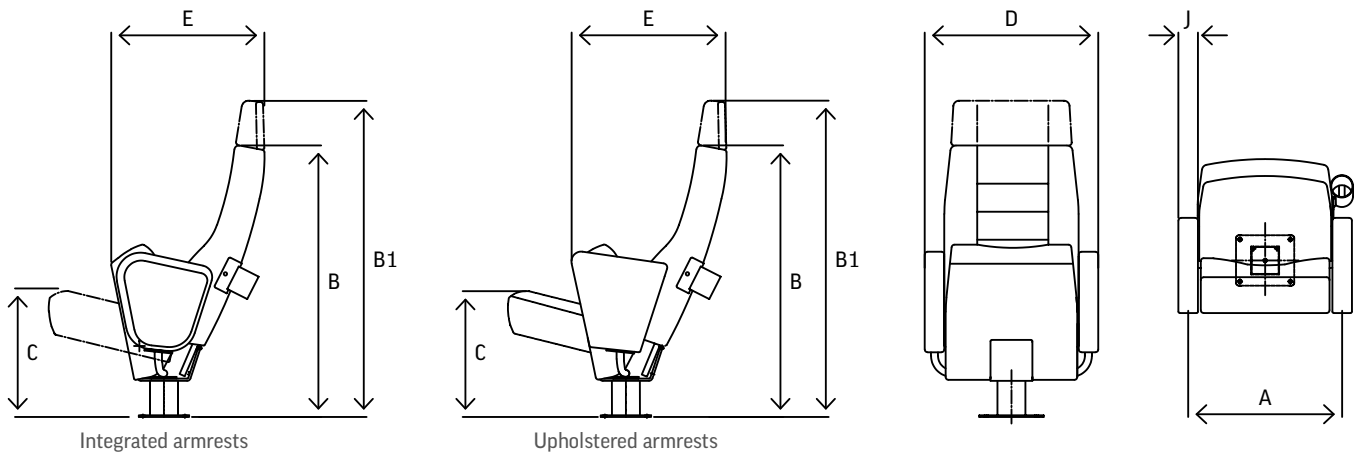
HARRISON WITH A FIXED SEAT



Dimensions in mm

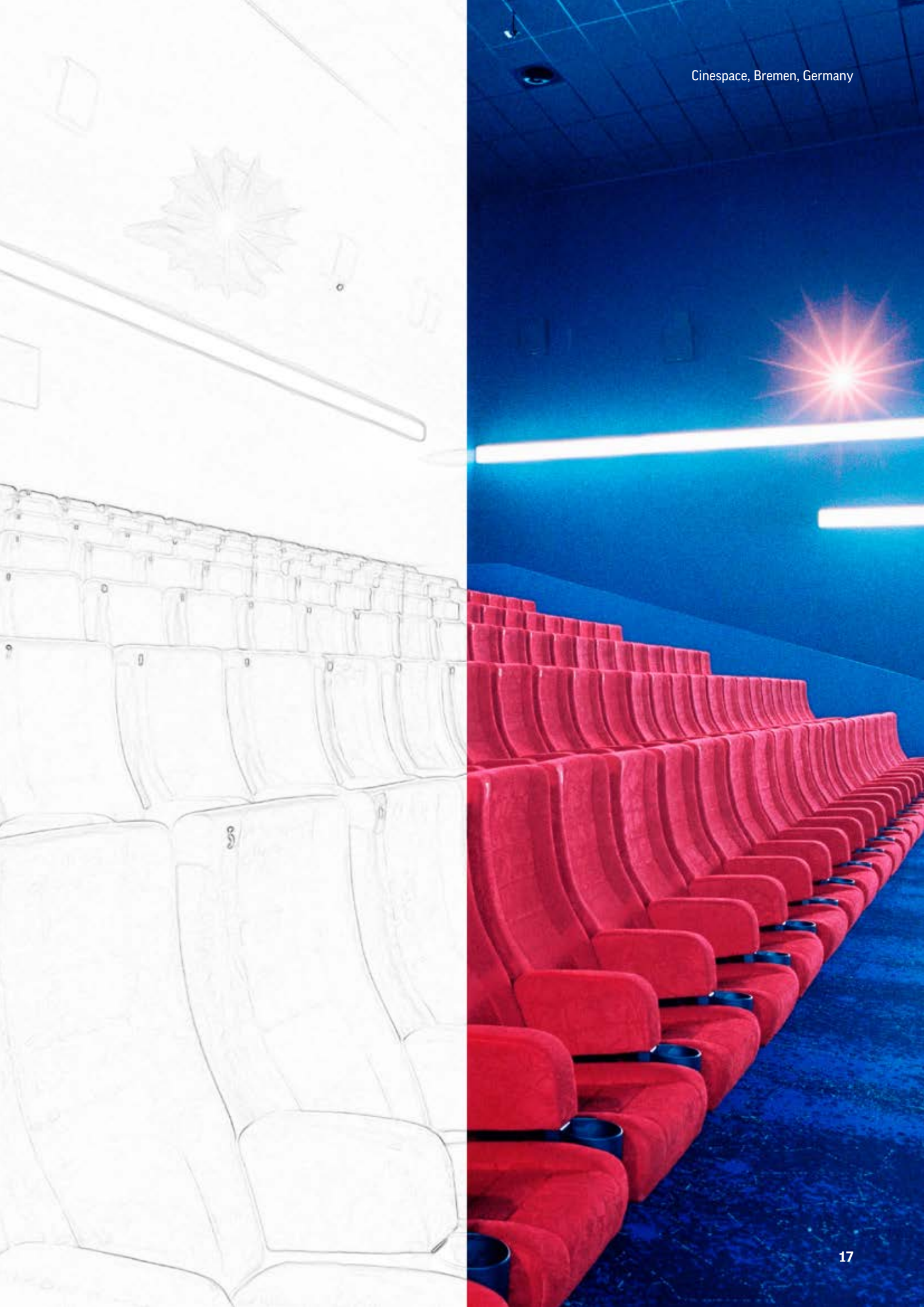
	A Distance between axes	B Total height	B1 Total height, including headrest	C Seat height	D Outer dimensions	E Total depth	J Armrest width	K Armchair tilt
Harrison with a fixed seat; integrated armrests	550	970	1130	440	630	700-750	80	
Harrison with a fixed seat and high backrest; integrated armrests	550	1030		440	630	700-750	80	
Harrison with a fixed seat; upholstered armrests	570	970	1130	440	690	700-750	120	
Harrison with a fixed seat and high backrest; upholstered armrests	570	1030		440	690	700-750	120	
Harrison with a fixed seat and tiltable backrest; upholstered armrests	570	970		440	690	700-750	120	180-210
Harrison with a fixed seat and high tiltable backrest; upholstered armrests	570	1030		440	690	700-750	120	180-210

HARRISON WITH A FOLDING SEAT



Dimensions in mm

	A Distance between axes	B Total height	B1 Total height, including headrest	C Seat height	D Outer dimensions	E Total depth	J Armrest width
Harrison with a folding seat; integrated armrests	550	970	1130	440	610	500-550	60
Harrison with a folding seat and high backrest; integrated armrests	550	1030		440	610	500-550	60
Harrison with a folding seat; upholstered armrests	550	970	1130	440	620	500-550	70
Harrison with a folding seat and high backrest; upholstered armrests	550	1030		440	620	500-550	70



Paramount Pictures, Unterföhring, Germany



Rosenhof Lichtspiele, Moosburg, Germany



SEALS OF APPROVAL AND CERTIFICATES

FLAME RESISTANCE CLASSIFICATION, UPHOLSTERY

Classification according to the requirements stated in the standards given below.

German standards:

- o DIN EN 1021 Parts 1+2 (Ignition source: smouldering cigarette and match flame equivalent)

Austrian standards:

- o Austrian standard 3825 B1 (hardly combustible)
- o Austrian standard 3800 Q1 (low smoke)

GS CERTIFICATION*

GS-certified in accordance with the requirements stated in the standard DIN EN 12727, issued by TÜV SÜD.

* for Harrison fixed



QUALITY MANAGEMENT

Certification according to the requirements stated in the standards given below.

- o DIN EN ISO 9001
- o DIN EN ISO 14001



ASSEMBLY OPTIONS

Floor type:

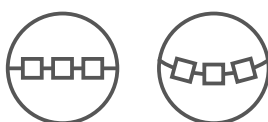


Flat

Sloped

Stairs

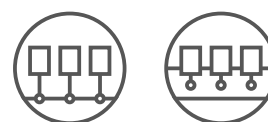
Armchair arrangement:



Straight

Curved

Armchair assembly type:



TYPE C to the floor

TYPE A to the step riser

www.ForumSeating.com
www.NowyStylGroup.com