
ALPHA



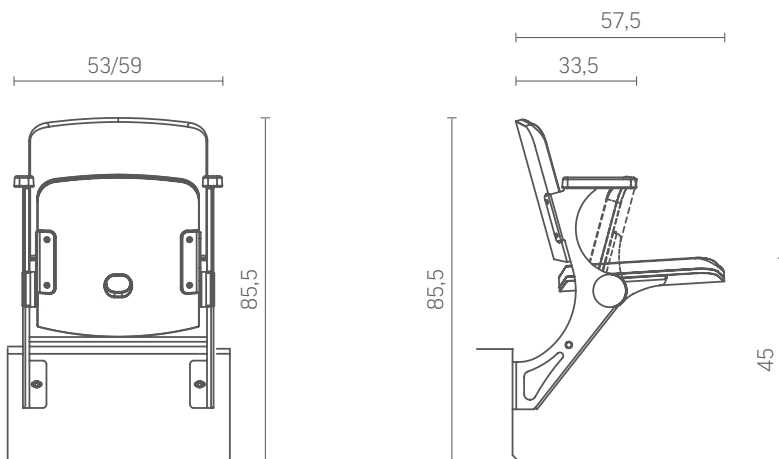
The newest chair by the Forum Seating brand meets the needs of the business class user.

Thanks to its small dimensions, the chair can be assembled at narrow stairs. The right contouring and upholstered cover provide users with high sitting comfort. The chair is resistant to all weather conditions.

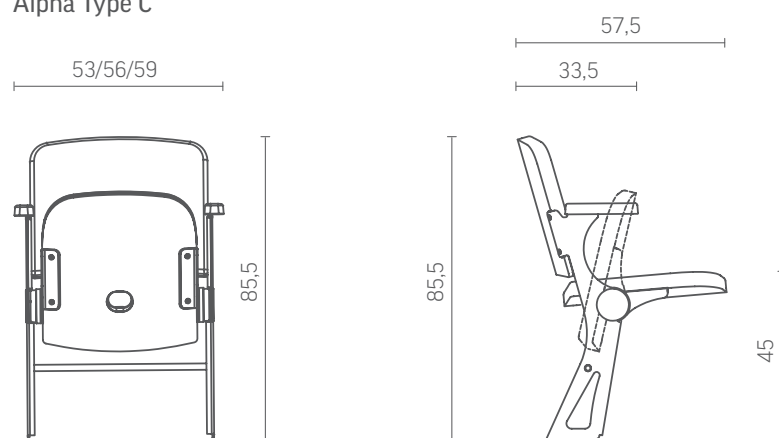


DIMENSIONS*:

Alpha Type A



Alpha Type C



* Particular dimensions can be individually adjusted to a given project.
All dimensions are in centimetres.

CHARACTERISTIC FEATURES AND AVAILABLE OPTIONS:

- Made of a steel frame, beech plywood, flame-retardant foam and high quality upholstery.
- Wide choice of upholstery colours.
- Armrests with polypropylene pads.
- Easy assembly.

CERTIFIED PRODUCTION:

We manufacture products at a global level. Our chairs are characterised by top quality and the highest durability. In all of our production plants we have implemented the best quality management system: **ISO 9001:2000**. At the same time, we take care of the natural environment. We use the environmental management systems created according to the **ISO 14001** standard in the majority of our factories. This enables us to minimise our impact on the natural environment and confirms that our products contain no heavy metals.

ASSEMBLY OPTIONS:

Floor type:



Flat Inclined Stairs

Armchair arrangement:



In a straight line

Assembly types:



TYPE A to the step riser TYPE B to the step riser TYPE C to the floor