

Broadweigh® User Manual



mantracourt.com



BROAD WEIGH

Load monitoring for live events
Solved by Mantracourt®

Introduction / Overview	7
Navigating This Manual	7
Safe Use	7
Inspection and Maintenance	11
Product Quick Locator	12
Broadweigh Basic Principles	13
Transmitters & Receivers	13
Transmitters.....	13
Receivers.....	13
Radio Channel and Group Key	13
Radio Channel	13
Group Key.....	13
Configuring Multiple Modules to Use the Same Radio Settings	14
ID and Data Tags.....	14
Transmitter Module Modes of Operation.....	14
Normal.....	14
Configuration.....	14
Sleep.....	14
Smart Sleep	14
Transmitter Module Sleep Delay Settings.....	15
Pairing	15
Pairing From Broadweigh Toolkit	15
Pairing From a Receiver Module	15
Soft Pairing.....	15
Configuring an Attached Base Station	16
Asynchronous Operation and Logging	16
Bandwidth.....	16
Repeaters and Repeater Subgroups	16
Broadweigh Toolkit	18
Common Toolkit Pages	19
Setup Base Station Communications.....	19
Spectrum Analyser.....	20
Planar View Parts	21
Examples	22
Channel Monitor	24
Home	27
Connecting to a remote module.....	27
Connecting to the attached base station module	28
Manual Connection	28
Information.....	29
Battery and Radio Levels.....	30
Battery and Radio Levels Advanced	31
Radio Settings	32
Radio Settings Advanced.....	33
Save and Restore	34
Transmitter Modules	35
BW-S325, BW-S475, BW-S475-TL, BW-TL	35
Overview	35
Order Codes	35
BW-S325.....	35
BW-S475.....	35
BW-TL (Optional Part).....	35
BW-S475-TL	35
Orientation & Identification.....	36
Connections.....	37
Connecting Power	37

Configuration.....	38
Simple Configuration Mode.....	39
Settings.....	39
Managed Parameters.....	40
Parameters Pre-configured.....	40
Parameters Hidden From View.....	40
Advanced Configuration Mode.....	41
Units.....	41
Zero Settings.....	42
Data Rates and Quality.....	43
Advanced Settings.....	45
Smart Sleep.....	46
Enclosure & Mounting.....	47
Dimensions.....	47
BW-S325 Broadweigh Shackle 3.25T dimensions.....	47
BW-S475 Broadweigh Shackle 4.75T dimensions.....	47
BW-TL dimensions.....	48
BW-S475-TL dimensions.....	48
Opening the Case.....	49
LED Indicator.....	49
Specification.....	50
Radio Range.....	50
BW-WSS.....	51
Overview.....	51
Order Codes.....	51
BW-WSS.....	51
Connections.....	52
Power.....	52
Configuration.....	53
Data Rates and Quality.....	53
Units.....	55
Advanced Settings.....	56
Enclosure & Mounting.....	57
Antennas.....	57
Specification.....	58
Radio Range.....	58
Receiver Modules.....	59
BW-HR.....	59
Overview.....	59
Order Codes.....	59
BW-HR.....	59
Connections.....	60
Power.....	60
Operation.....	61
View readings.....	61
Keys.....	61
Indicators.....	61
Errors.....	62
Special Modes.....	62
Configuration.....	63
Display Format.....	63
Settings.....	65
Enclosure & Mounting.....	66
Antennas.....	66
Specification.....	67
Radio Range.....	67

BW-HA	68
Overview.....	68
Order Codes.....	68
BW-HA.....	68
Connections.....	68
Power.....	68
Quick Start.....	69
Connecting Power.....	69
BW-HA.....	69
Shackle or Transmitter Module.....	69
Viewing Shackle or Other Transmitter Data.....	69
Operation.....	70
Keys.....	70
Indicators.....	70
Errors.....	70
Configuration.....	72
Modes of Operation.....	72
No List Entered (Default).....	72
List Entered.....	72
List Entered Plus Summing Groups.....	72
Global Settings.....	73
Configure Inputs.....	75
No Defined Transmitters.....	75
Defined Transmitters.....	77
General Tab.....	77
Zero Tab.....	79
Scaling Tab.....	80
Group Membership Tab.....	81
Summing Groups.....	82
General Tab.....	82
Zero Tab.....	84
Scaling Tab.....	85
Members Tab.....	87
Example Configuration Scenarios.....	88
Examples Using No Defined Transmitter List (Roaming Mode).....	88
Festival Site.....	88
Tent Guy Wires.....	88
Example of Defined Transmitter List.....	88
Single Transmitter.....	88
Multiple Transmitters.....	88
Example of Summing Groups.....	88
Alternative Units.....	88
Grouping Sums.....	88
Enclosure & Mounting.....	91
Antennas.....	91
Specification.....	92
Radio Range.....	92
BW-RM1	93
Overview.....	93
Order Codes.....	93
BW-RM1.....	93
Connections.....	94
Power.....	94
Connections & Indicators.....	94
LEDs.....	94
Inputs.....	94

Operation	95
Configuration.....	96
Input Settings.....	96
Relay Settings.....	97
Operation and Hysteresis Settings.....	97
Relay Settings Advanced	98
Alarm Settings.....	99
Enclosure & Mounting	101
Antennas.....	101
Specification	102
Radio Range.....	102
BW-WM1	103
Overview	103
Order Codes	103
BW-WM1.....	103
Connections.....	104
Power.....	104
Connections & Indicators.....	104
LEDs.....	104
Inputs.....	104
Operation	105
Alarm	105
Configuration.....	106
Advanced Mode.....	106
Input Settings	106
Indicator Settings.....	107
Operation and Hysteresis Settings.....	108
Alarm Settings.....	108
Log100 Mode.....	110
Log100 Mode Settings.....	110
Additional Log100 Requirements.....	111
Enclosure & Mounting	112
Antennas.....	112
Specification	113
Radio Range.....	113
Base Stations & Repeater Modules.....	114
BW-BSue, BW-BSd, BW-BSi.....	114
Overview	114
Order Codes	114
BW-BSue	114
BW-BSd.....	114
BW-BSi	114
Addressing	114
Connections.....	115
BW-BSue & BW-BSd.....	115
BW-BSi	115
SW1 Settings.....	115
Address.....	115
Serial/USB.....	116
Power.....	116
LED Indication	116
RS232.....	117
RS485.....	117
Serial Limitations	117
USB	118
Configuration.....	119

Home.....	119
Radio Settings.....	120
Advanced Settings.....	121
Enclosure & Mounting.....	122
BW-BSue.....	122
BW-BSd.....	122
BW-BSi.....	122
Antennas.....	122
Specification.....	123
BW-BSi.....	123
BW-BSd.....	123
BW-BSue.....	123
Radio Range.....	123
BW-AR.....	124
Overview.....	124
Order Codes.....	124
BW-AR.....	124
Connections.....	125
Power.....	125
Power Options.....	125
Permanently Powered.....	125
Battery Powered.....	125
Getting Started.....	126
Increase Range.....	126
Span Obstacles.....	127
Combined Solutions.....	128
Considerations.....	129
Configuration.....	130
Settings.....	130
Enclosure & Mounting.....	132
Antennas.....	132
Radio Range.....	132
Specification.....	133
Radio Range.....	133
Power Supply Modules.....	134
PP1 & SP1.....	134
Overview.....	134
Order Codes.....	134
PP1.....	134
SP1.....	134
Getting Started.....	135
Power Pack 1 Connections.....	135
Installation.....	135
Connecting Power Pack 1.....	135
Solar Panel Orientation.....	136
Operation.....	137
Dimensions & Weight.....	137
Specifications.....	138
Appendices.....	139
Appendix A - Enclosures.....	139
A Style (Handheld).....	139
Dimensions.....	139
Opening the Case.....	139
Mounting Information.....	140
Antenna Position.....	140
Environmental Protection.....	140

B Style (ACM).....	141
Dimensions.....	141
Opening the Case.....	141
Mounting Information.....	142
Optional Mounting Kit.....	142
Antenna Position.....	142
Environmental Protection.....	142
C Style (ACMi).....	143
Dimensions.....	143
Opening the Case.....	143
Mounting Information.....	143
Antenna Position.....	143
Environmental Protection.....	143
H Style (Dongle).....	145
Dimensions.....	145
Opening the Case.....	145
Mounting Information.....	145
Antenna Position.....	145
Environmental Protection.....	145
Appendix B – Radio Range.....	146
Overview.....	146
Range.....	146
Appendix C - Radio Specification.....	147
Appendix D – Conditions of Use.....	148
Appendix E – Approval Statements.....	149
CE.....	149
IC.....	150
FCC.....	151
Appendix F - OEM / Reseller Marking and Documentation Requirements.....	152
CE.....	152
IC.....	153
FCC.....	154
Appendix G - Worldwide Regional Approvals.....	155
Important Note.....	155
Appendix H - Declaration of Conformity.....	156
Appendix I - Warranty.....	157

Introduction / Overview



Broadweigh is a portable modular wireless weighing system offering real-time load monitoring for a wide variety of rigging applications without the need for cabling.

Broadweigh enables users to know precise loads on any given point thereby ensuring structures and rigging points are balanced and within safe working loads.

A user-friendly wireless Handheld Telemetry Display provides load monitoring of any Broadweigh Shackle. In addition a PC interface can be used to view and log multiple inputs on a single screen via the use of the Broadweigh Log100 Software and USB Base Station.

Navigating This Manual

When viewing this PDF manual the following tips will help you navigate.

Viewing bookmarks ( or ) to the left of the page, in the PDF viewer, will allow easy navigation to the relevant chapters of this manual. Alt-left arrow is a useful shortcut back to the last page viewed after a hyperlink is clicked. Hyperlinks are coloured orange and are underlined.

Safe Use

Designed to aid rigging professionals on a daily basis, the Broadweigh wireless load cell shackles offer simple, real-time, effective and accurate load monitoring. It allows users to know the precise loads on any given rigging point, guy wire or hoist in a rigging system. This valuable data enables the rigger to safely distribute weight for indeterminate loads, roof structures and mother-grids as well as indicate alarms to avoid overload situations.

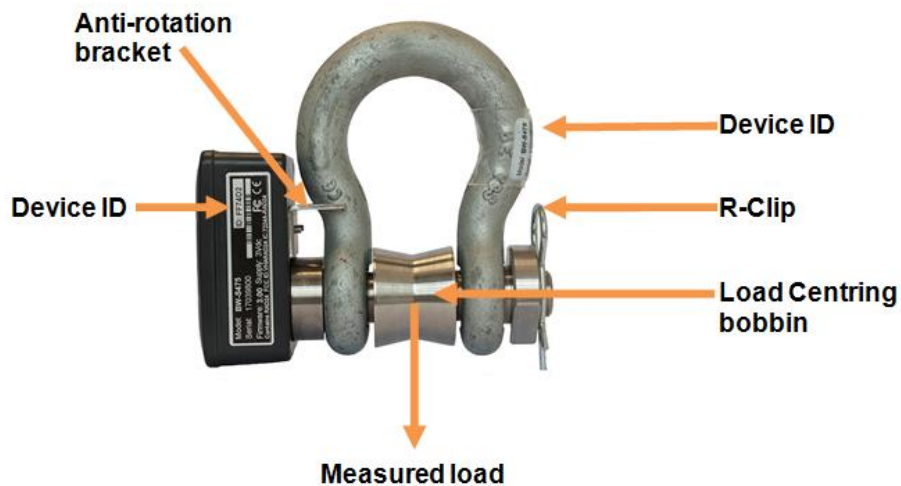
The Broadweigh Shackle is a safety bow shackle with load pin and integrated electronics which features the following:

- Available in 4 ¾ tonne or 3 ¼ tonne WLL options
- Up to 800 m line of sight wireless transmission range
- IP67
- 5:1 safety factor
- Low rigging profile of 130 mm
- 2000 hr battery life at transmission 1 per second
- Sleep function to preserve battery life when not needed
- Accuracy of $\pm 1\%$ of current load or 25 kg, whichever is the greater value (When using original bobbin or TwistLink. There may be a reduction in accuracy if these are swapped.)

Shackles must be correctly selected for the specific application required. As well as safe working load, physical size and fitment with other components needs to be considered.

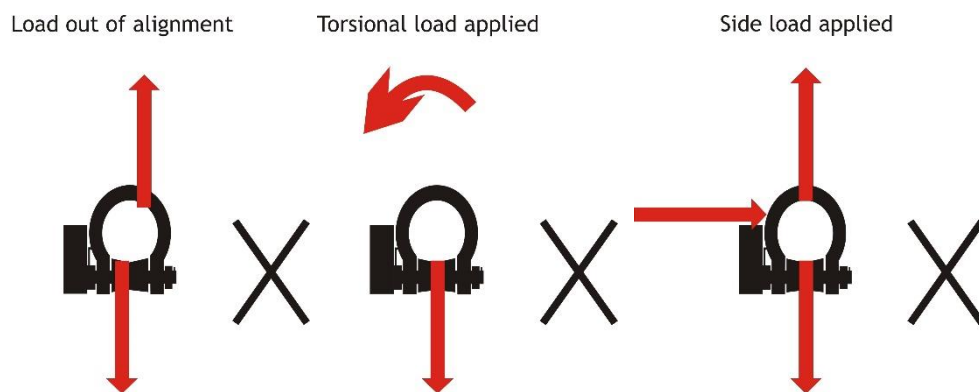
The shackle pin and bow are calibrated and load tested together. It is therefore essential for the accuracy of the system that the following information is adhered to:

- Each pin and bow must be kept as a pair and not interchanged. The bow is marked with the ID of the pin it is associated with as shown.
- The pin must be aligned in the same orientation with the bow as it was when calibrated.
- The Broadweigh shackle is designed to only fit together in one orientation, the anti-rotational bracket will only fit around the bow shackle on the side with CE marking. This is the opposite side to the ID marking.
- The shackle must be used in conjunction with a bobbin or TwistLink, nut and retaining clip as shown:

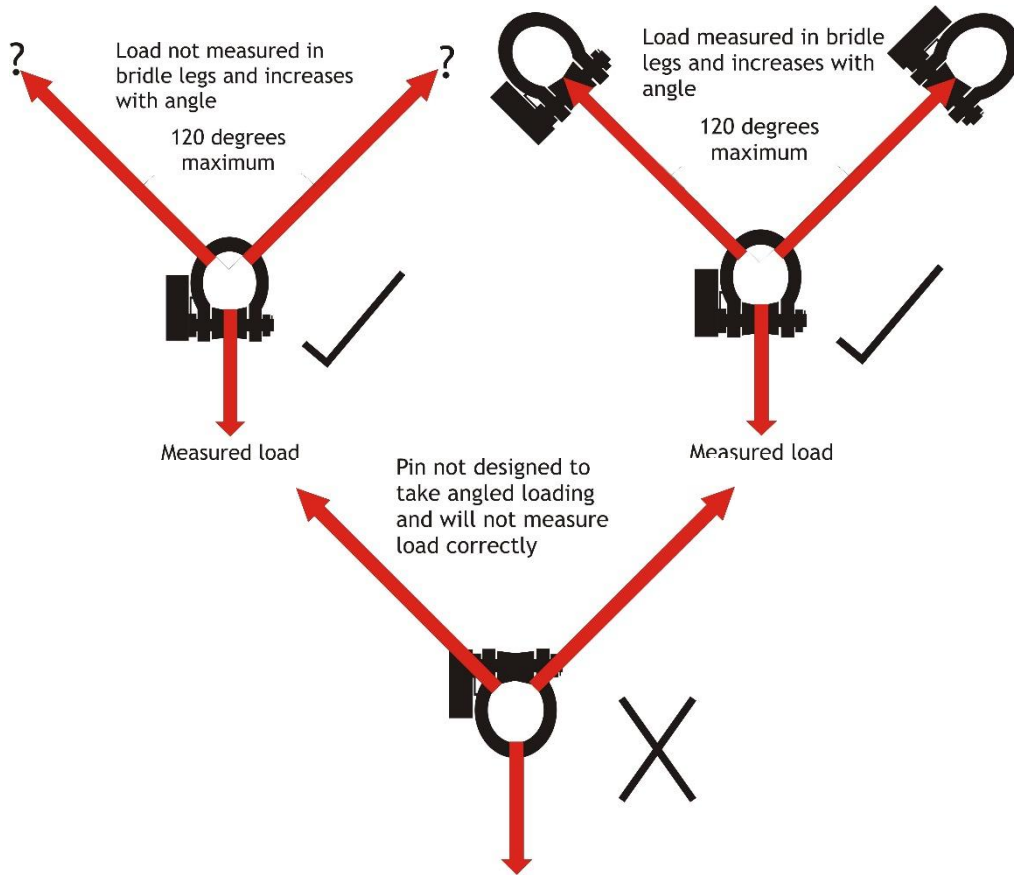


i If using a TwistLink, ensure that the load sensing pin is in the side of the TwistLink marked 'Sensor'.

Any out of alignment, side or twist loading will affect the readings given as well as load the shackle in a way that it was not designed for.



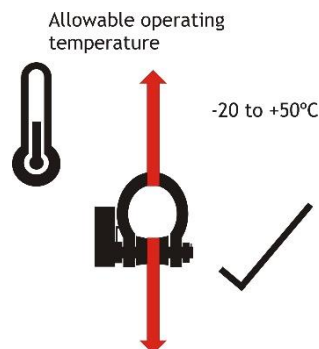
If using the shackle as part of a bridle, remember that the load in legs of the bridle will increase with the angle. If the Broadweigh shackle pin is not connected to that part of the leg then it will not register this increase.



No part of the shackle, pin, bobbin or TwistLink should be modified by welding, grinding or similar.

Always ensure that the load is stable.

The allowable operating temperature range is -20°C to $+50^{\circ}\text{C}$.



The working load limit (WLL) of Broadweigh shackles and TwistLinks assumes the absence of exceptionally hazardous conditions. These include offshore activities, lifting of persons and lifting of potentially dangerous loads such as molten metals. In such cases the degree of hazard should be assessed by a competent person and the safe working load (SWL) reduced accordingly from the working load limit.

Please remember that Broadweigh does not give advice as to how the data from Broadweigh shackles is used. All lifting operations are different and must be supervised by suitably qualified and experienced riggers. It is the user's responsibility to ensure conformity with local regulations.

Broadweigh is not designed to be used as part of a safety critical control system. If it is required for one then the integrator would need to fully assess its suitability.

Broadweigh shackle assemblies are subjected to a 150 % proof load (static test coefficient of 1.5) before being calibrated.

Inspection and Maintenance

As with all rigging equipment, Broadweigh shackles and TwistLinks should be inspected before and after every use, ensuring that all the components are present and correct (bow, pin, bobbin or TwistLink, nut and r clip) and the serial numbers match. All load bearing components must be free from cuts, nicks, cracks, gouges or excessive wear and distortion. Any damaged Broadweigh shackles or components must be taken out of service and returned to your dealer to arrange refurbishment or scrapping. If you attempt to replace or swap any load bearing parts yourself the unit's calibration will be void.

It is also important before every use to check that all the settings are as expected. The most safety critical settings to check are that the system zero and the units are correctly set (see the relevant sections in the manual). If these have been unknowingly changed you could end up with unexpected and misleading readings. Before moving offset or checking any readings please ensure that the shackle's temperature has stabilised. When moved from different temperatures it can take up to an hour to reach the local ambient temperature. Once it has done so, the readings can accurately be checked.

Always remember that damage to the shackle or its calibration can happen at any time. If you need to move the zero offset significantly then further investigation is required. This could take the form of a thorough examination and calibration check with a known load. Records should be kept of any calibration check so that you can see any movement over time. If the readings are out by more than 1 % or 25 kg or you have to zero out more than 50 kg, please return to your dealer to arrange recalibration.

These measures should be used in conjunction with your own thorough examination routine at the same intervals you have set for normal shackles. This will vary due to local regulations but should not be less than every 6 months. Records of all thorough examinations should be kept.

We would recommend checking your shackle's output with a known load at least once a year and a return to the factory for a calibration check every two years.

There are very few maintenance requirements. The Broadweigh shackles, TwistLinks and battery enclosures need to be kept clean, threads clear of debris and protected from corrosion.

Do not overtighten screws when replacing batteries. Damage caused by overtightening is not covered under manufacturer warranty.

Remove the batteries if being stored for an extended period. Leaking batteries can damage the circuitry.

Product Quick Locator

This section allows you to locate your product quickly to navigate to the correct section of the manual.

Shackles

[BW-S325](#)

[BW-S475](#)

[BW-S475-TL](#)

[BW-TL](#)

Base Station

[BW-BSue](#)

[BW-BSd](#)

[BW-BSi](#)

Handheld Display

[BW-HR](#)

[BW-HA](#)

Relay Output

[BW-RM1](#)

Alarms

[BW-WM1](#)

Active Repeater

[BW-AR](#)

Wind Speed Sensor

[BW-WSS](#)

Power Supplies

[SP1](#)

[PP1](#)

Broadweigh Basic Principles

There are some basic radio settings and concepts that should be understood to effectively configure, deploy, optimise and troubleshoot Broadweigh telemetry systems.

Transmitters & Receivers

Although all of the Broadweigh modules are in fact transceivers and transmit as well as receive, they tend to mainly operate as either a transmitter or receiver so we will choose to describe them as Transmitters and Receivers. The Broadweigh system was designed so that Transmitters are configured to send out messages at a user defined rate. Receivers can then use this data to analyse, display or perform other actions depending on their function. A PC and base station are only required to configure the modules although they may be part of a data collection system. Once configured the Broadweigh modules operate autonomously and only minimal control over the Transmitter modules is usually required, by Receiver modules, such as sleeping or waking.

Transmitters

These are the sensor modules that measure weight or wind speed etc and send messages containing the value and status information at regular intervals for use by Receiver modules or for delivering to a PC via a base station. Because these modules need to be very power efficient to operate on batteries they operate in three distinct modes. See [Transmitter Module Modes of Operation](#) later.

Receivers

These modules use messages provided by Transmitters and have functionality such as handheld displays or relay modules. These modules may also offer control over Transmitter modules such as sleeping or waking.

Radio Channel and Group Key

To be able to communicate, two radio modules must share some basic settings. There are ways to learn these and to recover unknown settings and these are discussed later in the [pairing](#) section.

Radio Channel

This is the frequency that the radio operates on. Broadweigh radio bandwidth is divided into 15 channels. Modules must be on the same channel to be able to transfer messages.

Group Key

Group keys are a way of isolating groups of modules even if they are operating on the same radio channel. This can improve efficiency and also offer security because no radio module can affect another or see their messages unless they share the same group key.

A group key is defined by the user and is up to 15 alphanumeric characters.

Group keys were introduced in v3.0 radio firmware in June 2015. New radio modules will work with older radio modules but group keys cannot be used.

Configuring Multiple Modules to Use the Same Radio Settings

Please note that when you pair to a remote module the base station adopts the radio channel and group key of the remote module.

To set the group key for a set of remote modules you can either:

Pair to each one in turn and set their radio channel and group key
or

Configure the base station by holding the shift key and clicking the Pair button on the [Home](#) page. Then configure the base station to the required [radio settings](#). Next use the tool on the [radio settings advanced](#) page to pair to each module in the set to configure their radio settings to match the base station.

ID and Data Tags

To configure a module its ID is used in communications. This is a unique 6 character identifier, such as FF1234, which is allocated at the factory. This ID is hexadecimal so can consist of numbers 0-9 and letters A-F.

If a module is a Transmitter it sends messages without broadcasting its ID. It identifies messages by using a Data Tag. This tag is a 4 character hexadecimal number and can be configured by the user. When modules leave the factory this data tag is set to the last 4 characters of its ID.

When Receiver modules or software want to use messages sent by Transmitter modules they identify the message they want by this Data Tag.

The reason Transmitter module messages are identified by a Data Tag rather than the unique ID is that this allows replacement of a Transmitter module without having to reconfigure the many Receiver modules that may be using its messages. It is only necessary to configure the replacement Transmitter module with the same data tag, radio channel and group key and the rest of the system will not notice the difference.

Transmitter Module Modes of Operation

Normal

Normal mode involves taking a reading and sending a message then entering into a very low power state before taking the next reading to maximise battery life.

Because it is not possible to communicate with the Transmitter module during this low power state a 'configuration' mode is required.

Configuration

Configuration mode forces the modules to pause in sending their messages and to disable their low power state to enable configuration to take place. This is easily achieved by 'Pairing' when using the Broadweigh Toolkit software. Once configuration is complete the modules will resume their 'normal' mode operation.

Sleep

The last mode is sleep. Modules can be sent to sleep by other modules or they can go to sleep themselves when their messages are no longer being used. See Sleep Delay Settings later.

When sleeping, the modules can be awakened on demand by other modules or software via the base station.

Smart Sleep

In Q3 2020 Smart Sleep was introduced to the shackles and replaces the standard Sleep. Unlike standard Sleep mode, Smart Sleep adds two important features.

Transmissions still take place at a new reduced rate. This defaults to a transmission every 10 seconds. In some cases this is a good enough rate for the system to operate at permanently so the shackles need never be woken (Where they would transmit at a faster rate which is every second by default).

The second feature is that the shackles can automatically wake when the weight changes thus automatically providing data at a faster rate when changes to the load have occurred and so the data becomes more interesting.

Disabling smart sleep enables shackles to operate as before..

Transmitter Module Sleep Delay Settings

Transmitter modules have a Sleep Delay setting (set in seconds) which allows the modules to go into Sleep or Smart Sleep mode when their data messages are no longer required. This allows much longer battery life to be achieved.

Setting Sleep Delay to zero disables this function in the Transmitter modules and they will only go into Sleep mode when told to do so.

Most Receiver modules and Broadweigh software send Stay Awake messages when they see messages arrive from Transmitter modules. In the Transmitter modules, if the Sleep Delay time period has elapsed without a Stay Awake message arriving then the module will enter Sleep mode.

Usually the Stay Awake messages are sent every 5 seconds so Sleep Delays should be set to at least 10 seconds but can be set to anything up to an hour for situations where the Receiver is likely to be out of range for periods of time but where the Transmitter module is required to stay awake and in normal operational mode during that time. It is usual that Sleep Delays are set somewhere between 30 and 300 seconds when required.

Pairing

Because you need to know the radio settings configured in a module to be able to configure it, and there are no visible clues to what those settings may be, there is a feature used by Broadweigh modules that enable the radio settings (i.e. the radio channel and the group key) to be determined and matched between two Broadweigh modules.

Pairing is only required to determine and match radio settings and optionally to put Broadweigh Transmitter modules in configuration mode. Because in some installations the Broadweigh modules can be buried deep inside other equipment there had to be a way of indicating that a module has been selected to pair with without having physical access to that module. Pairing was therefore designed to be activated by removing and re-applying the module's power. In some cases this is not practical so another possible solution is [Soft Pairing](#).

Pairing From Broadweigh Toolkit

When using the Broadweigh Toolkit and a base station, pairing is used to connect to a module without having to know anything about it beforehand. To pair, remove power from the required module, click a 'Pair' button in the software and re-apply power to the module. The base station and module negotiate settings and the base station is automatically configured to match the radio settings from the module and places the module into configuration mode. Now the module can be configured and when complete it will return to normal operational mode.

Pairing From a Receiver Module

Some Receiver modules allow pairing to a Transmitter module without requiring the Broadweigh Toolkit. For example, the BW-HR handheld display offers this feature by turning it on while holding a certain key after which the power is applied to the Transmitter module. The radio settings are then negotiated and the Transmitter module is automatically configured to match the handheld radio settings. The handheld learns the ID and data tags required to be able to use messages from the Transmitter module. In this case no configuration mode is required so the Transmitter module simply continues to operate in normal mode but with altered radio settings.

Soft Pairing

Pairing by power cycling is absolute and will work under all circumstances (where there is sufficient radio signal and bandwidth on channel 16 and the currently selected radio channel). However, sometimes access to the power supply of a module that you want to pair to can be restricted, a module 20 meters up a tower for example, so the Broadweigh Toolkit offers a way to *soft pair*.

To achieve this you need to know the radio channel and group key of the remote module and configure the base station to match this. You must also know the unique ID of the module and armed with this you can soft pair to the module. This works well with Receiver modules as they are not operating in low power modes but the software does need to try and change Transmitter modules from their normal operation mode into configuration mode therefore modules with transmission intervals greater than 5 seconds may be difficult to soft pair to.

This may not always work reliably in high traffic or high noise environments because there are a lot of messages that need to be sent between the base station and the remote module which can be upset by the presence of too many other messages on the same radio channel.

Configuring an Attached Base Station

Because a base station is attached to our computer when you are using the Broadweigh Toolkit you do not pair to it the same way as with other Broadweigh modules. To configure the base station using the Toolkit hold the shift key and click the Pair button on the [Home](#) page.

Asynchronous Operation and Logging

Transmitters send their messages at a fixed user defined interval regardless of whether anything is listening. This message interval is timed from when the Transmitter has been woken or powered on so there is no synchronisation of when the actual measurement is taken between different transmitters.

If you are logging information from multiple Transmitters using multiple channel logging software you should be aware of how the software will store and record values.

The software stores the message values as they arrive from each Transmitter and when a log is to be recorded it is the last value received by each Transmitter that is used.

This means that the values that are recorded could have been measured at any point during the Transmitter message interval.

For example, if there are 10 Transmitters operating at 1000 ms message interval then when the values are recorded to the log file you can only be sure that those values had been recorded within 1000 ms of each other.

So if there is a requirement that recorded sets of readings are within a certain time of each other, then that time is the maximum message interval that should be set for the Transmitters regardless of the actual log interval of the software (Which should always be greater than the Transmitter message interval).

Bandwidth

Each radio channel (1-15) has a finite ability to carry information. When modules do not need to communicate with each other they can be configured on separate radio channels and do not affect each other.

However, when multiple modules are on the same radio channel, even if they use different group keys, they are all contributing to filling the available bandwidth.

Each message transmitted takes up around 3 milliseconds so if everything worked perfectly and all modules transmitted at just the right time and with no gaps between then there could only ever be 300 messages per second being transmitted on any one radio channel.

In reality there are factors that reduce this capacity.

Each module uses a technique to detect whether anyone else is transmitting before it transmits itself and this takes a finite time. There can also be interference from other sources that can delay module transmissions.

Because of the transmission rate flexibility of the Broadweigh modules there could be a few modules transmitting messages at fast rates or many modules transmitting messages at slow rates or any combination of these.

Practically there is a limit of around 200 messages per second available per radio channel.

It should be noted that as the number of Transmitter modules increases there is more chance of message collisions and so more messages are lost (remember that the Transmitter modules are sending their messages out at regular intervals) thus reducing the average number of messages per second arriving per module.

So, for example, 2 modules may transmit at 100 times per second or 100 modules at a rate of 1 per second.

Repeaters and Repeater Subgroups

Repeaters are able to retransmit messages so that the repeated signal is stronger than the original and so can increase the range of systems or can bypass obstacles.

The repeater must be configured to operate on the same radio channel and use the same group keys as those modules it is repeating.

Because the radio traffic is effectively doubled by a repeater there is a mechanism to reduce unnecessary repetition of messages.

Sometimes a repeater will still see messages from modules that do not need to be repeated (Thus filling up available bandwidth) so both repeaters and all other Broadweigh modules have a setting called the repeater subgroup.

By default all subgroup settings are set to zero. A repeater will repeat a message from all modules whose subgroup is either zero or matches its own subgroup. If a repeater subgroup is zero it will repeat messages from all modules.

This is a simple way to break down modules into smaller groups and control what messages get repeated.

Changing the repeater subgroup is not normally necessary unless the bandwidth is very full due to either many Transmitter modules being present or very fast transmissions from modules.
So, for example, 2 modules may transmit at 100 times per second or 100 modules at a rate of 1 per second.

Broadweigh Toolkit

To configure the modules you must use the Broadweigh Toolkit software application. This can be downloaded from our web site or may be shipped with your products.
The software is suitable for all versions of Windows.
Run setup.exe and follow the prompts to install the software.

In the Toolkit all items that can be changed or interacted with by the user are coloured orange.
To change a value just click on the relevant orange item. You will then be presented with a new dialog window allowing you to change the value.
This may use a slider, text box or list to allow your new value to be entered.

A base station will also be required to configure the Broadweigh modules. You just need to plug this into a USB socket on your PC.



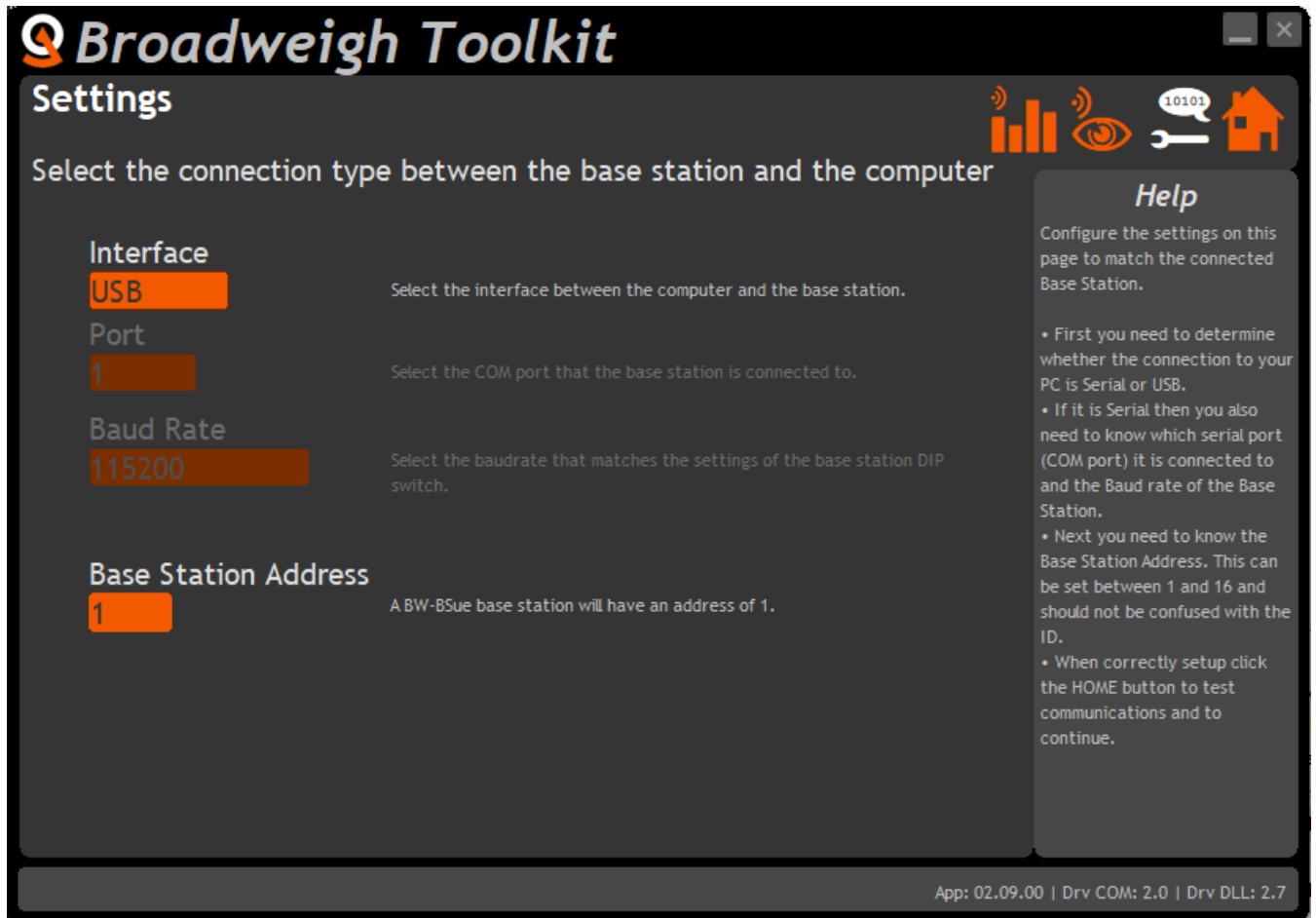
Do not pair to multiple modules with multiple instances of the toolkit at the same time.

Common Toolkit Pages

These pages in the Broadweigh Toolkit are common to many connected modules.

Double-clicking the icon in the top left of the window will place a screenshot image of the current page into the clipboard.

Setup Base Station Communications

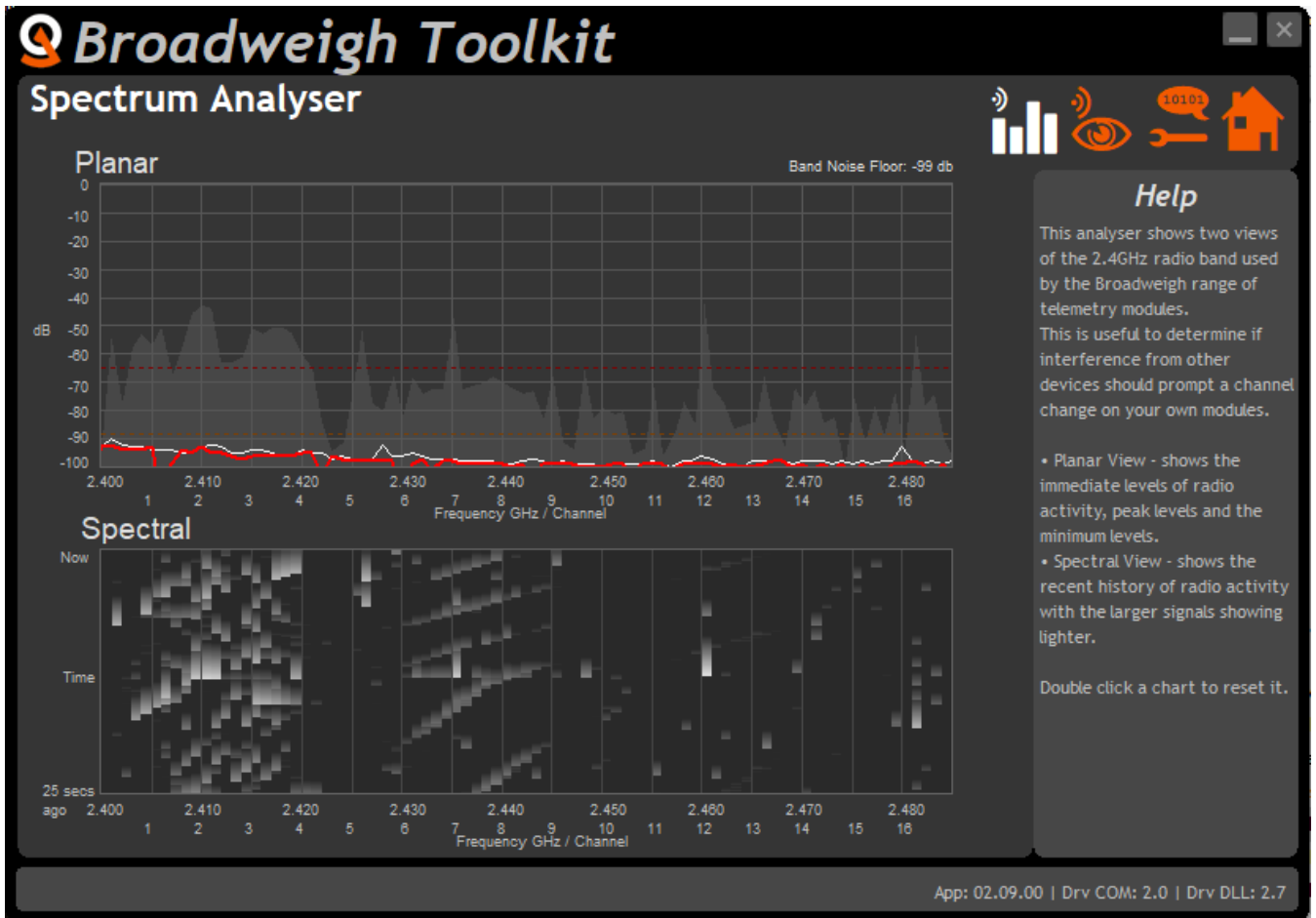


Select the appropriate interface type for the connected base station. This will usually be USB. If the base station is connected via a serial port then you will need to know the COM port it is connected to and the baud rate. The Base Station Address is usually 1. This will only ever be different if it has been changed on base stations to support multi base station configurations.

Click the Home button to attempt communications with the base station.

If no communications can be established the toolkit will remain on this page. You will need to check that the base station is powered and that it is connected to any converters correctly.

Spectrum Analyser

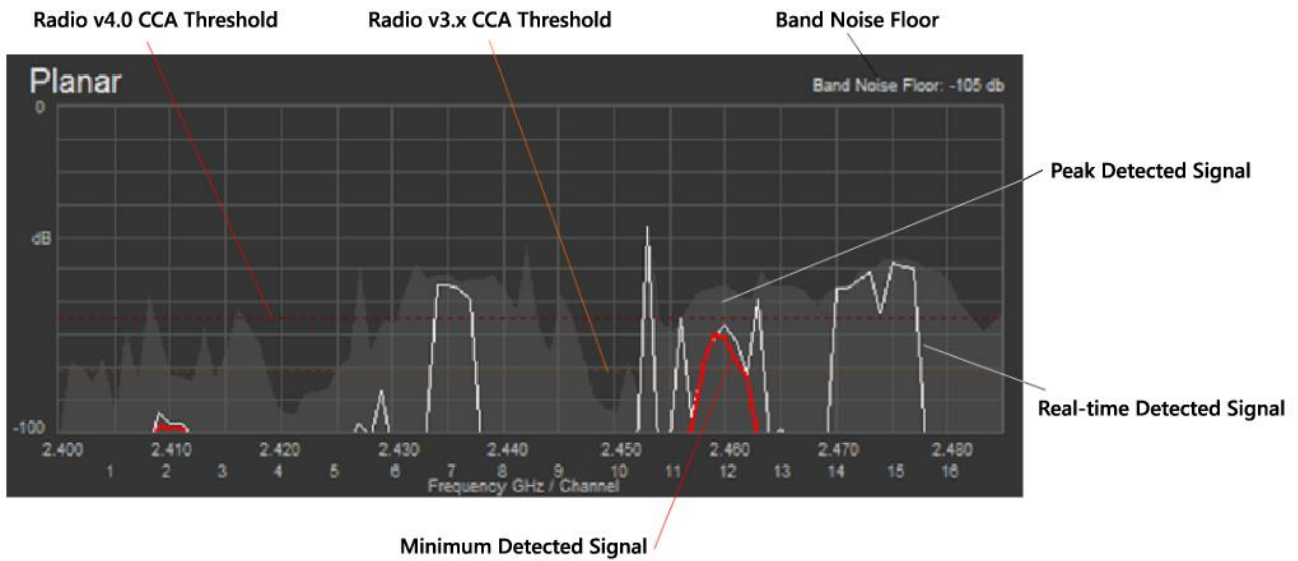


The spectrum analyser page is provided as a tool to use when conducting a site survey before installation, or to diagnose poor communications issues.

This page shows the radio signal levels detected across all the channels available to the Broadweigh series of modules. Using this tool may help in detecting noisy areas and allow you to decide on which channels you may want to use.

Although 16 channels are shown the Broadweigh modules operate over radio channels 1 to 15. Channel 16 is reserved for pairing negotiation.

Planar View Parts

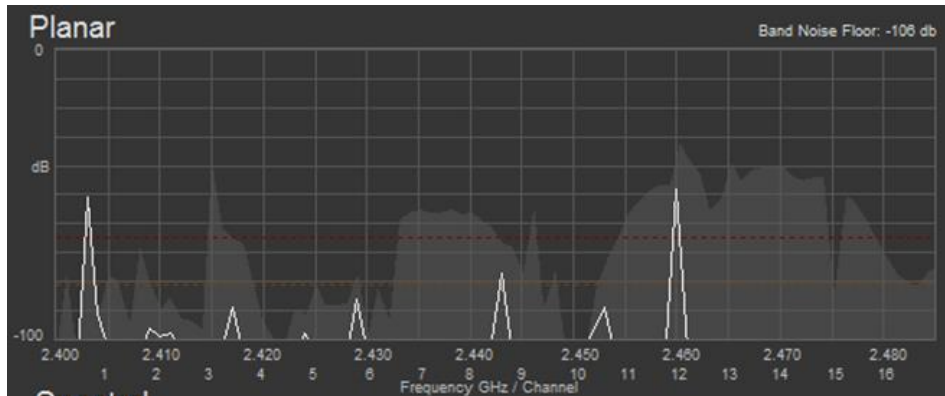


! Note that the detection is taking place at the base station so it may be necessary to attach a base station to a laptop to enable a full environmental survey to be undertaken.

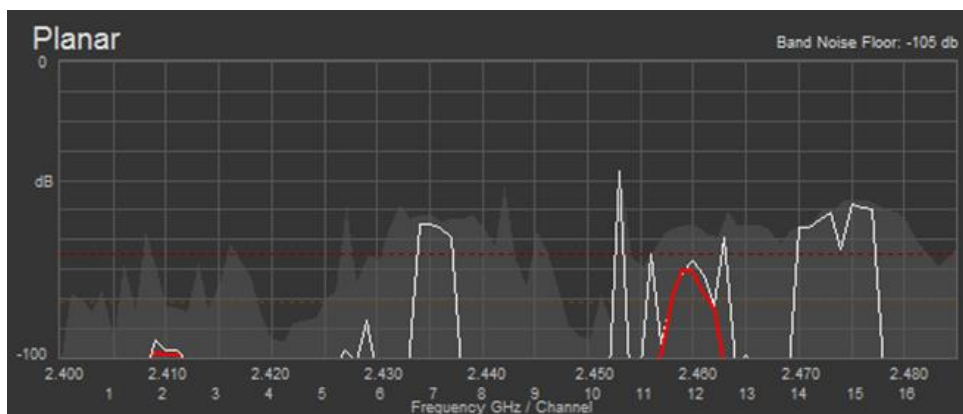
Real-time Detected Signal	The white trace shows the real-time level of detected signal. On its own this information only really indicates where other radios are operating. Broadweigh works fine with other transmissions but you may want to stay away from channels that have a lot of activity when there are other quiet channels available.
Peak Detected Signal	The shaded background shows the peak signal detected across the band. This is more useful than the real-time trace because, over time, this build a picture of where the traffic has the highest power.
Minimum Detected Signal	The red trace is very important and shows the minimum signal level detected across the band. In a good, quiet RF environment these red traces will not be visible but where there is a high level of broadband noise or very high amounts of radio traffic you may see channels that show red areas. As long as these remain below the CCA (Clear Channel Assessment) thresholds for the Broadweigh radio modules deployed ($\leq v3.x$ or $\geq v4.0$) the Broadweigh radios will still operate but given the choice select a channel that does not show a high minimum signal level. As levels start to increase above -95db this will start to reduce maximum achievable radio range.
Band Noise Floor	This indicates the lowest signal level across the entire band. Usually this will be off the bottom of the chart but when this is visible it can indicate underlying issues with the environment that could affect the Broadweigh radio operation. As levels start to increase above -95db this will start to reduce maximum achievable radio range.
Radio v3.x CCA Threshold	This orange dotted line indicates the signal level at which the version 3.x (and below) radio firmware will not transmit. Any signals detected larger than this level will stop the module from transmitting. Usually this is not a problem as Broadweigh radio works in harmony with other radio systems and will transmit in the gaps between other radio transmissions. However, if the Minimum Detected Signal is close to, or above, this level then the Broadweigh radio system will cease to function.
Radio v4.0 CCA Threshold	Version 4.0 radio modules have a revised CCA threshold to allow them to work better in high noise RF environments.

Version 5.0 radio modules have an adaptive CCA threshold which starts off at the red dotted line but will drop to the orange dotted line as the channel noise floor is tracked. If the noise floor increases the CCA threshold will adapt. This adaptive nature allows for the lowest CCA threshold required to transmit successfully but to avoid transmitting over other far located transmitters as long as their signal level is above the noise floor.

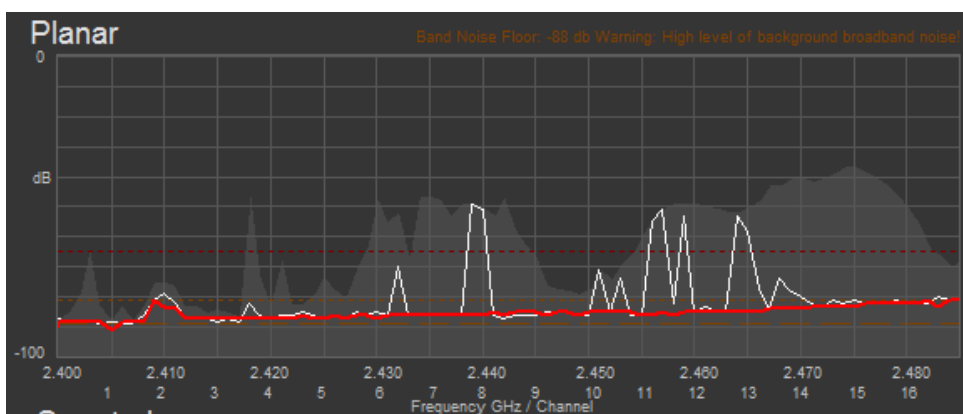
Examples



This shows a good RF environment. The Band Noise Floor is low and there are no red traces indicating that there are plenty of signal free gaps to enable Broadweigh to transmit. There is traffic across the whole band with higher signal traffic between channels 11 to 15, but there is nothing that would affect Broadweigh operation.

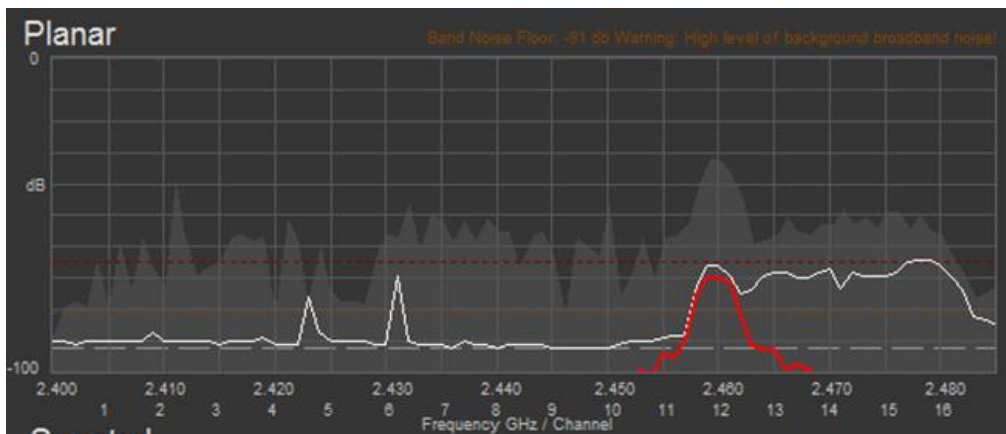


Here we can see some visible red traces indicating the minimum signal levels. Around channel 2 there is something transmitting constantly but the signal is so low that Broadweigh would operate fine anyway. However, channel 12 shows that there is a constant transmission that is above the v3.x radio CCA threshold so those Broadweigh radios would not function on channel 12. Version 4.0 and above Broadweigh radios would function but communications may be erratic and certainly the range and coverage would be reduced. It would not be a good idea to use channel 12.

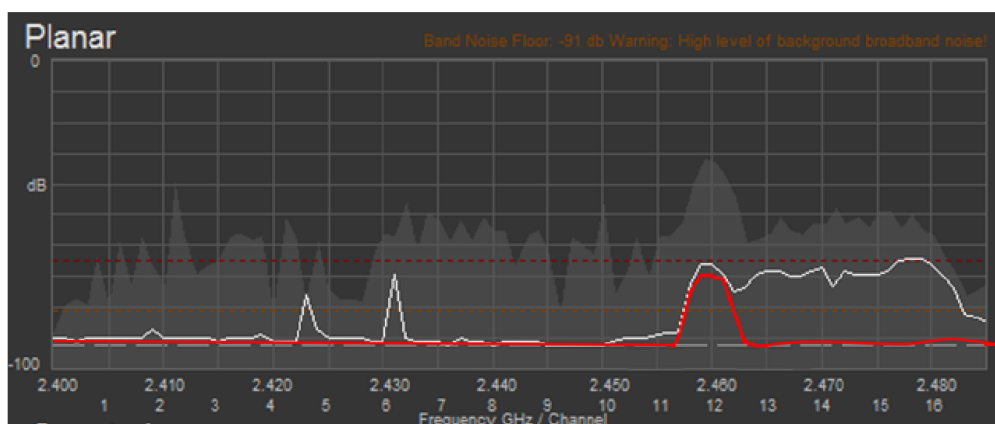


Above we can see a scenario where the entire band noise floor is high. This means that across all channels the range achievable will be reduced because Broadweigh transmissions from distant modules will be swamped by the constant signal from the noise floor. For most channels the minimum signal level is below the CCA threshold, so as long as the Broadweigh signal is strong enough the system will still work. However, note the sloping nature of the red trace. At around channel 16 the minimum signal level is at the level of the v3.x radio CCA threshold so version 3.x radios would not be able to pair because channel 16 is used in the pairing negotiation. V4.0 radios would still operate successfully.

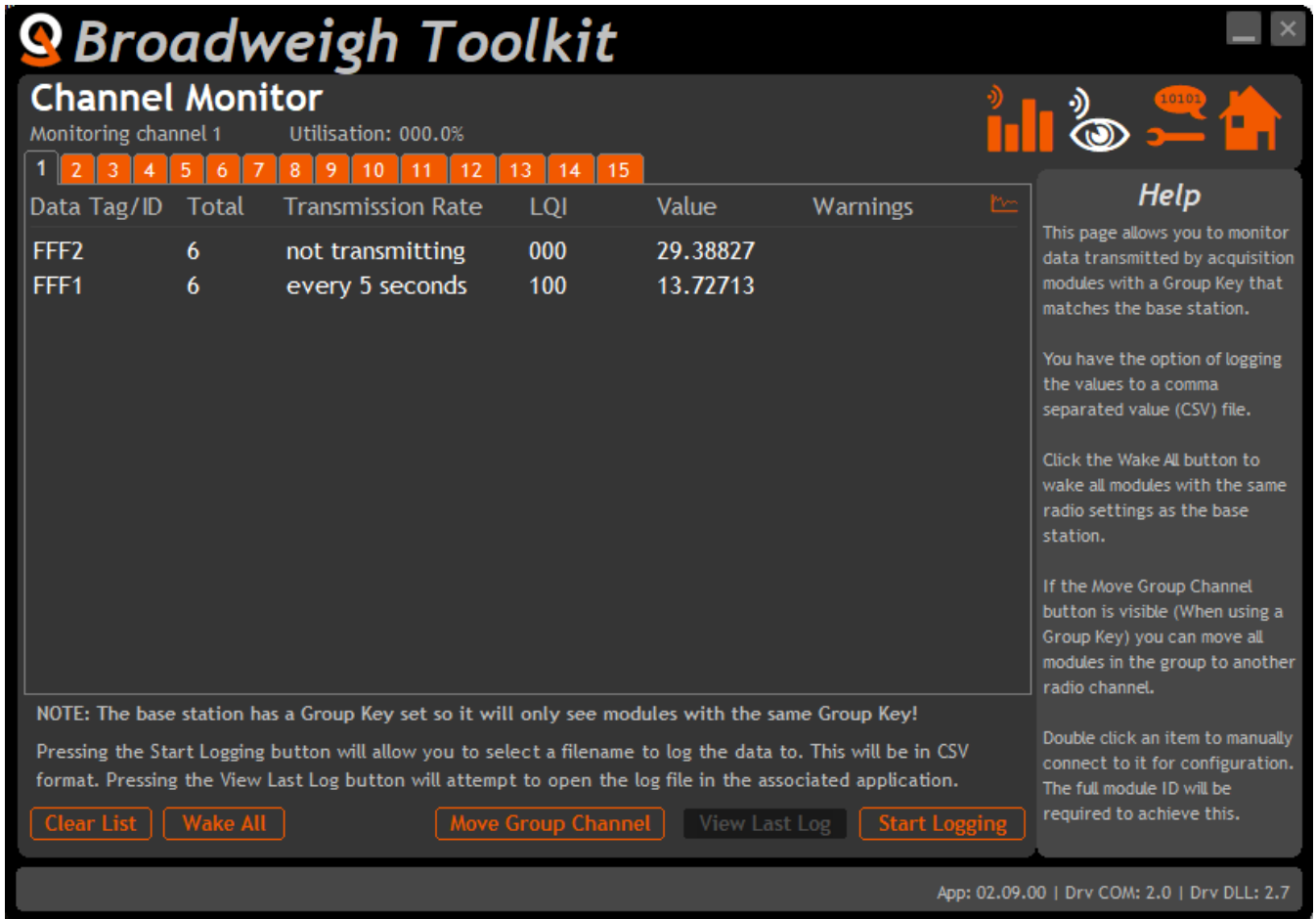
! Certain PC USB 3.0 ports that are unshielded are known to have radio emission issues that can result in exactly the above scenario. This will always have the effect of reducing the operating range if a USB base station is used and the antenna is positioned close to the USB 3.0 port. This affects base station dongles mostly, but can affect any base station placed close to the USB port. Not all USB 3.0 ports exhibit this problem. Plugging into an adjacent USB 2.0 port may or may not fix the issue depending on internal PC architecture. Use a USB port away from USB 3.0 ports or use a short USB extension cable if affected. This affects all 2.4GHz electronics and transmitters not just Broadweigh.



This shows how the display would look if the band noise floor slowly crept up. The red trace is only visible on channel 12 but other channels that were once OK (Having a very low minimum signal level) now have a viewable level of minimum signal noise. A double-click on the planar chart would reset the peak and minimum calculations so the minimum red trace would then follow the more recent higher noise floor.



Channel Monitor



This page shows a summary of data sent by transmitter modules. You can see the Data Tag of transmitted messages along with the total number of messages received, the transmission rate, link quality, data value and any error messages. Base stations built after June 2015 can also list modules that are sleeping. These will show an ID instead of a Data Tag.

i To see any data the base station must be on the same radio channel as the transmitters and must have a matching Group Key

The radio channel of the base station can be changed by clicking the channel tabs along the top of the page. If you want to change the Group Key of the attached base station you need to configure its radio settings. See [Configure Base Station](#)

Items you can change or interact with:

- Radio Channel Tabs Click a tab to change the radio channel the base station is operating on
- Clear List Clear all detected messages from the list
- Wake All Wake all modules on the current radio channel

Start Logging Asks for a filename then logs the received data to a CSV file in the following format:

Data Tag, Elapsed ms, Value

View Last Log Will launch the application associated with CSV files and open the last logged file.

Move Group Channel If the base station has a group key set then this button will be visible. Once at least one module is present in the list this button will become enabled. Clicking it will ask the user for a new radio channel then all detected transmitters, along with any other modules on the same channel such as handhelds, will all be moved to the selected channel. Once this has been achieved the base station itself will move and the list will start to fill again with messages on the new radio channel.

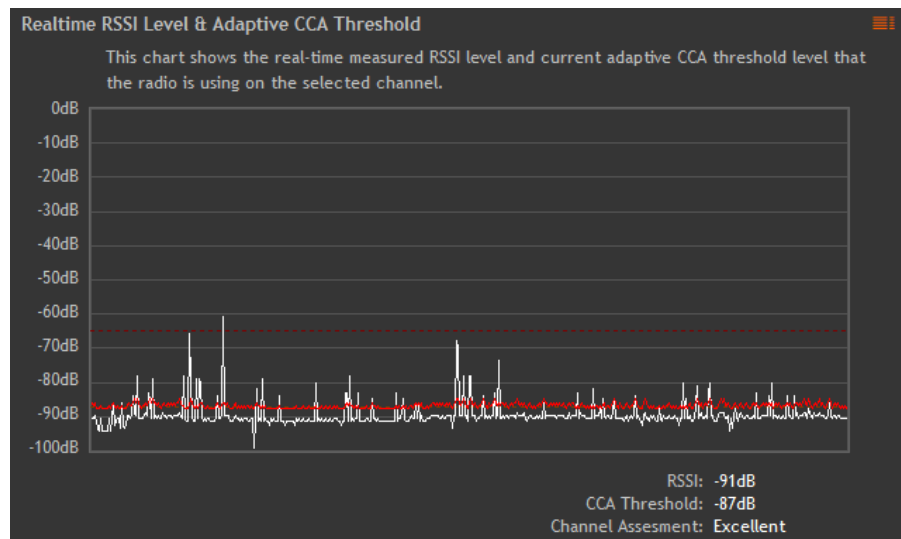


You will only see a list of detected transmitters on this page so you will need to ensure that any other receiver modules in the group are available to be woken. When this button is clicked all modules on the same radio channel and group key will be woken before they are changed to the target radio channel.



View Real-Time RSS

If the base station has version 4.1 or greater radio firmware this icon will be displayed in the top right of the tabbed viewport. Click to view the real-time RSSI levels and allocated adaptive clear channel assessment (CCA) threshold level.



The white trace shows the real-time, sampled RSSI levels and the red trace shows the current CCA threshold allocated for the current radio channel environment. This chart shows only representative RSSI levels as it is sampled at 10Hz but the important property is the lowest RSSI levels seen as this is what is used to determine the CCA threshold to use.

In simple terms the transmitter will be able to transmit when the detected RSSI level is lower than the red trace.

The text below the chart assesses the channel suitability and reports depending on the currently allocated CCA threshold level.

- > -66 Critical, >-70 Very Poor, > -75 Poor, > -80 OK,
- > -85 Very Good, >= -88 Excellent

The selected channel may be assessed as excellent in terms of its background RSSI noise level but may still be unsuitable due to too much traffic.



Return to view received packet list.

Broadweigh Toolkit

Home

Monitor or Log
You can view and log the data being transmitted from an acquisition module or view the spectrum analyser by clicking the icons above right. Pairing is NOT required to log data from your device.

Configure your device
To configure your module we need to temporarily pair to it. When we pair from the Toolkit we configure the base station radio settings to match the remote module.
To pair you must:

- Remove the power from your module.
- Initiate the pair by clicking the button below.
- Re-apply the power to the module.

When applying power be careful to do this cleanly because if the module is powered up with an intermittent connection it may reset during pairing and result in poor or no communications.

Pair

If the module cannot be paired because access to the power supply is either not possible or many modules share the same power supply. [Click Here](#) for manual connection (Soft Pair).

[Check For Update](#)

Help

This Home page is where you begin your connection to your module.
You must be able to access its power supply so you can remove and reapply it.

The module you want to connect to must be the only module you re-apply power to.

When pairing to a module the base station radio settings are changed to match those of the remote module.

[To connect to the base station hold the Shift key while clicking the Pair button]

Connected to Base Station of ID FDDD7E on channel 1 (Using a Group Key) App: 02.09.00 | Drv COM: 2.0 | Drv DLL: 2.7

You now have successful communications with the base station so you can now pair with our remote Broadweigh module or you can select the Spectrum Analyser mode or Data Provider Monitor mode.

Connecting to a remote module

To connect to a remote module you will pair. This is achieved by power cycling the module. Pairing removes the need to know the radio settings of the module you are connecting to and also ensures that it is in a suitable state for configuration.

Pairing Procedure

- Remove power from the Broadweigh module.
- Click the Pair button on the Toolkit.
- Re-apply power to the Broadweigh module within 10 seconds.

When you connect successfully the Toolkit will change to the [Information](#) page. If the pairing fails try again.

i Pairing with the toolkit will not change the radio configuration settings of the connected module. The base station radio settings will be changed to match those of the remote module.

i When the toolkit connects to a remote module to enable configuration it will usually inhibit the normal operational transmission of messages

Connecting to the attached base station module

To pair to and configure the connected base station, hold the shift key and click the Pair button.

Manual Connection

If you cannot get to the power supply of the remote module you can attempt to connect manually using [Soft Pairing](#). Click the 'Click Here' link at the bottom of the page and follow the prompts.

Broadweigh Toolkit

Information

Broadweigh Shackle 4.75t

ID: FF842E
 Model: BW-S475
 Firmware Version: 6.00
 Radio Module Firmware Version: 4.1
 Name: XXXXXXXXXX
 Calibration Date: 14 February 2005
 Peak Value Measured: 100.0 kg

Features:

- Protected Calibration
- Supports Group Keys Using Group Key
- Can Monitor Sleeping Modules
- Extended Range/Coverage Hostile RF Adaptive

Help
 Here you can view information about the module. You can also allocate a descriptive name to aid future identification.

• Connected to BW-S475 of ID FF842E on channel 1 App: 02.09.08 | Drv COM: 2.0 | Drv DLL: 2.7

Once successfully paired to a module this page is displayed showing information about the connected module. Calibration Date and Peak Value Measured will only be visible for modules that support these features.

Items you can change:

Name You can enter a short description which may help you to identify this module.

Features

Each module may support certain features which are indicated on this page. If the feature is greyed out then it is not supported. If it is coloured then it is supported.

Protected Calibration Some transmitter modules may have had their calibration protected. This indicates that you cannot calibrate this module.

Supports Group Keys [Group Keys](#) were introduced in 2015 so modules built before this date will not support this feature. This indicates that the connected module can support them

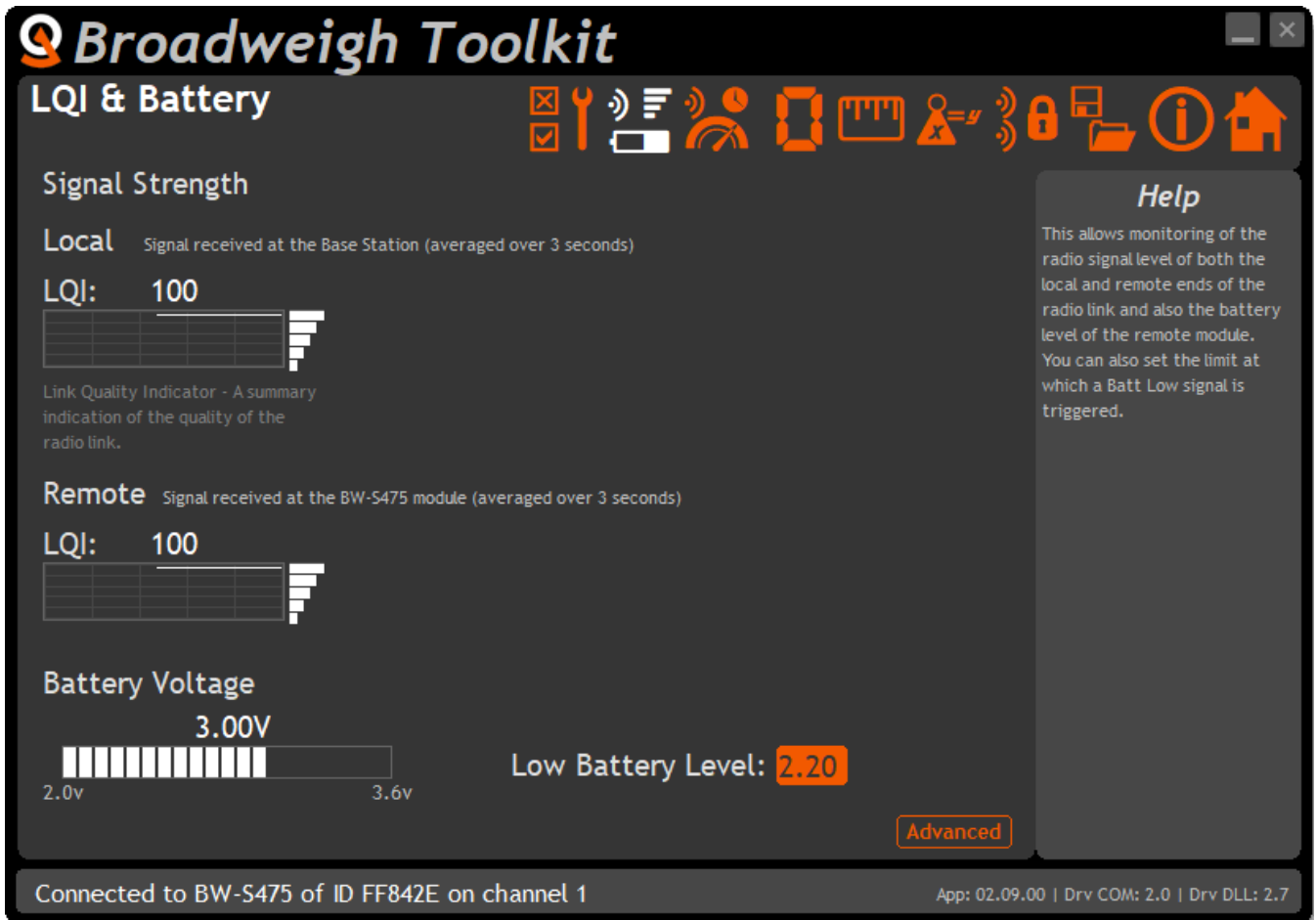
Using Group Key This indicates that the connected module can support Group Keys and that one has been configured for this module

Can Monitor Sleeping Modules Applicable to a base station only. This indicates that on the [Channel Monitor](#) page modules that are sleeping will also be listed

Extended Range/Coverage Extended range radios were introduced to the Broadweigh range in 2015. This indicates that the connected module has an extended range radio fitted.

Hostile RF Tolerant V4.0 radio modules introduce better performance in hostile RF environments. This includes better pairing and reception as well as battery life. V5.0 radio modules will display Hostile RF Adaptive as this supports Adaptive CCA Threshold functionality.

Battery and Radio Levels



Here you can see the voltage of the battery and the radio signal levels at the base station and the remote transmitter module. This simple view gives an LQI value which stands for Link Quality Indicator. This value will range from 0 to 100 and anywhere within this band you should still achieve communications. As the level drops towards zero communications may become intermittent but still achievable.

On modules that are battery powered the battery voltage section will be visible. You can set the level at which the transmitter module reports a low battery. (At 2.1 V the module will stop working)
If the battery voltage is below the Low Battery Level the bar will be coloured orange.

Items you can change:

Low Battery Level

Click this item to set the battery low level. Note: This is not displayed when shackles are used in Simple Configuration Mode.

Advanced Button

Clicking this will give more detailed information on the RSSI and CV levels of the received radio packets.

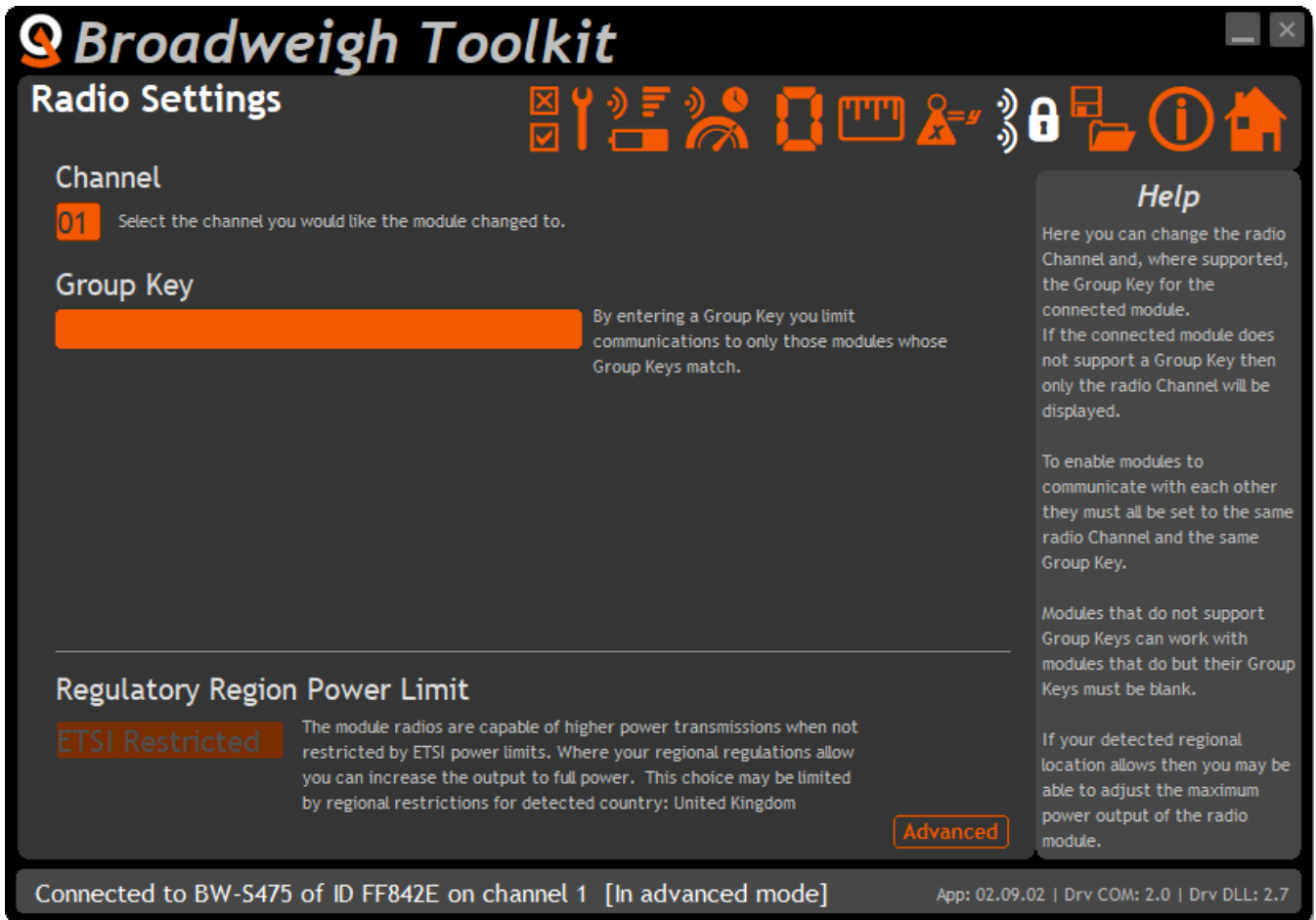
Battery and Radio Levels Advanced

The screenshot displays the 'Broadweigh Toolkit' interface for 'LQI & Battery' monitoring. It features a top toolbar with various icons for settings, signal, and battery. The main area is divided into sections for 'Signal Strength' (Local and Remote), 'Battery Voltage', and a 'Help' sidebar. The 'Local' and 'Remote' sections each show LQI (100), RSSI (-037), and CV (107) values with corresponding bar and line graphs. The 'Battery Voltage' section shows a current reading of 3.00V on a scale from 2.0V to 3.6V, with a 'Low Battery Level' warning at 2.20V. A 'Simple' button is located at the bottom right. The status bar at the bottom indicates the device is connected to BW-S475 of ID FF842E on channel 1, with app version 02.09.00 and driver versions 2.0 and 2.7.

LQI value which stands for Link Quality Indicator. This value will range from 0 to 100 and within this band you should still achieve communications. As the level drops towards zero communications may become intermittent but still achievable. The LQI value is derived from the RSSI and CV values.

RSSI is the Radio Signal Strength Indicator and indicates the received dB level which will range from about -30 which is a good signal to -98 which is a weak signal.

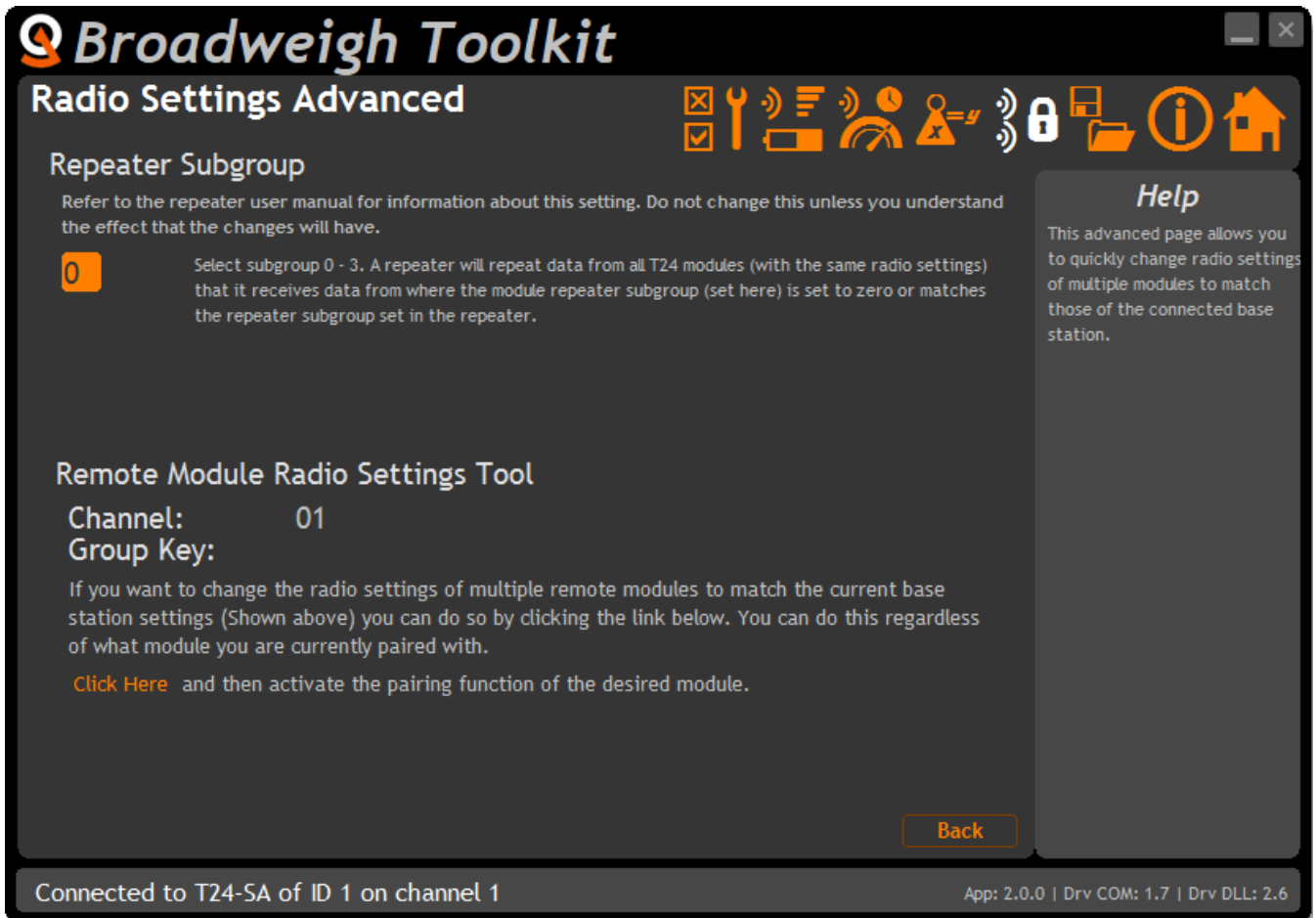
CV is the Correlation Value and indicates how well the signal can be decoded. This ranges from 55 which is a poor quality signal and 110 which is an excellent signal.



Here you can change the channel and group key for the connected module.

Items you can change:

- | | |
|-------------------------------|---|
| Channel | Select a radio channel between 1 and 15. The default is channel 1. You can use the Spectrum Analyser mode to determine a good clean channel to use. |
| Group Key | Only visible on modules that support Group Keys .
Only modules with identical group keys can communicate. This allows isolation of different groups of modules on the same channel or ensures the security of data. Early versions of Broadweigh modules do not support Group Keys and this option will not be visible in the Toolkit.
To use modules that support Group Keys with older modules that do not then the Group Keys must be blank. |
| Regulatory Region Power Limit | For devices that are used in regions where regulations allow a larger radio power output than the level set at manufacture then this section will be enabled. The default is ETSI Restricted but where allowed (such as USA and Canada) the option of Full Power will be available. |
| Advanced | This displays the Radio Settings Advanced page described below.
This button is not visible when connected to a shackle in simple configuration mode. |



Here you can change the repeater subgroup settings for the connected module. Also a tool is provided to quickly match remote module radio settings to the base station radio settings.

Items you can change:
Repeater Subgroup

Select a repeater subgroup for this module. The default is zero which will let all repeaters repeat messages from this module. See [Repeaters and repeater Subgroups](#)

Remote Module Radio Settings Tool

To quickly set a batch of remote modules to match the radio settings of the base station you can use this tool. Usually this is arrived at by pairing with the base station by holding the shift key whilst clicking the Pair button on the [Home](#) page.

To change the remote module radio settings:

- Remove remote module power
- Click the 'Click Here' link on the page
- Apply power to the remote module

The Toolkit will remain unchanged and still paired to whatever module or base station it was paired to but the remote module will have changed its radio settings.

Save and Restore



Here you can save the module settings to a file on your PC so that they can be later loaded back into the same or different module.

Items you can change:

Save

Click this button to open a file dialog window to allow you to select a filename and location to save the configuration file to.
All configuration information including calibration data will be saved to the file.
The file extension is tcf.

Restore

Click this button to open a file dialog window to allow you to select a filename and location of a previously saved file to load into the connected module.
All configuration information will be overwritten.
The file extension is tcf.

Transmitter Modules

Broadweigh Transmitters are the modules that connect to a sensor or have an input signal applied and periodically transmit messages containing the value read from the sensor or input. These modules include shackle load cell transmitters and wind speed sensor transmitters.

BW-S325, BW-S475, BW-S475-TL, BW-TL

Overview

The Broadweigh Shackle is a safety bow shackle with integrated electronics which features the following:

- Available in 4 $\frac{3}{4}$ tonne or 3 $\frac{1}{4}$ tonne options
 - Up to 800 m line of sight wireless transmission range
 - Fully weatherised (IP67)
 - 5:1 safety factor
 - Low rigging profile of 70 mm. 130 mm with TwistLink
 - 2000 hr battery life at transmission 1 per second
 - Sleep function to preserve battery life when not needed
 - Accuracy of $\pm 1\%$ of current load or 25 kg, whichever is the greater value. (When using original bobbin or TwistLink. There may be a reduction in accuracy if these are swapped.)
-

Order Codes

BW-S325



Load shackle with SWL of 3.25 tonnes.

BW-S475



Shackle capable of measuring up to 4.75 tonnes.

BW-TL (Optional Part)



The TwistLink can be retrofitted to a BW-S475 giving all the benefits of the BW-S475-TL. There will be a reduction in accuracy, see specifications.

BW-S475-TL



The BW-S475-TL is a BW-S475 with a TwistLink instead of a bobbin. This variation allows a 3.25 tonne or 4.75 tonne bow shackle to be connected to the load pin without taking it all apart.

Orientation & Identification

The shackle pin and bow are calibrated and load tested together. It is therefore essential for the accuracy of the system that the following information is adhered to:

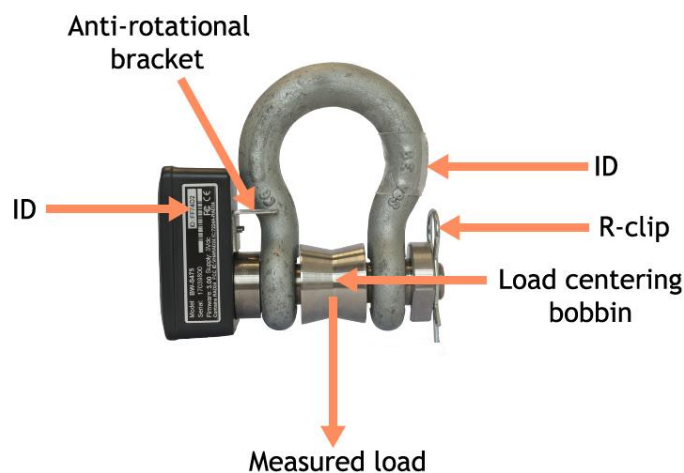
Each pin and bow must be kept as a pair and not interchanged. The bow is marked with the ID of the pin it is associated with as shown.

The pin must be aligned in the same orientation with the bow as it was when calibrated. The BW shackle is designed to fit together in one orientation. The ABS enclosure should be on the opposite side to the ID marking on the shackle bow.

The shackle must be used in conjunction with a bobbin or TwistLink, nut and retaining clip as shown:



If using a TwistLink, ensure that the load sensing pin is in the side of the TwistLink marked 'Sensor'.



The Broadweigh Shackle is a sensitive measuring device calibrated to ensure accuracy and reliability. Care must be taken during use, transportation and storage to avoid unnecessary mechanical damage.

To ensure accuracy, load must be applied vertically through the pin and the load must be centralised with a bobbin or TwistLink.

Connections


Connecting Power

To ensure optimum battery life, only quality alkaline batteries are recommended.

 Rechargeable batteries are not suitable.

Remove the four screws. Insert two alkaline 1.5 V AA batteries. Refit the lid.



 Mantracourt Electronics recommends using Energizer® L91 Ultimate Lithium TM AA batteries.
See the Energizer website for details.
<https://www.energizer.com/batteries/energizer-ultimate-lithium-batteries>

Advantages over other batteries:

- High capacity (As much as 50% more capacity than other big brand batteries).
- Wide temperature range.
- Very long shelf life.
- Leak resistant construction.

Configuration

The Broadweigh Toolkit provides a means of simple configuration and calibration of the shackle along with useful tools to aid integration.

Launch the Broadweigh Toolkit software application and pair to this module to enable the connection to the Toolkit to allow configuration to take place. [See Common Toolkit Pages - Home](#)

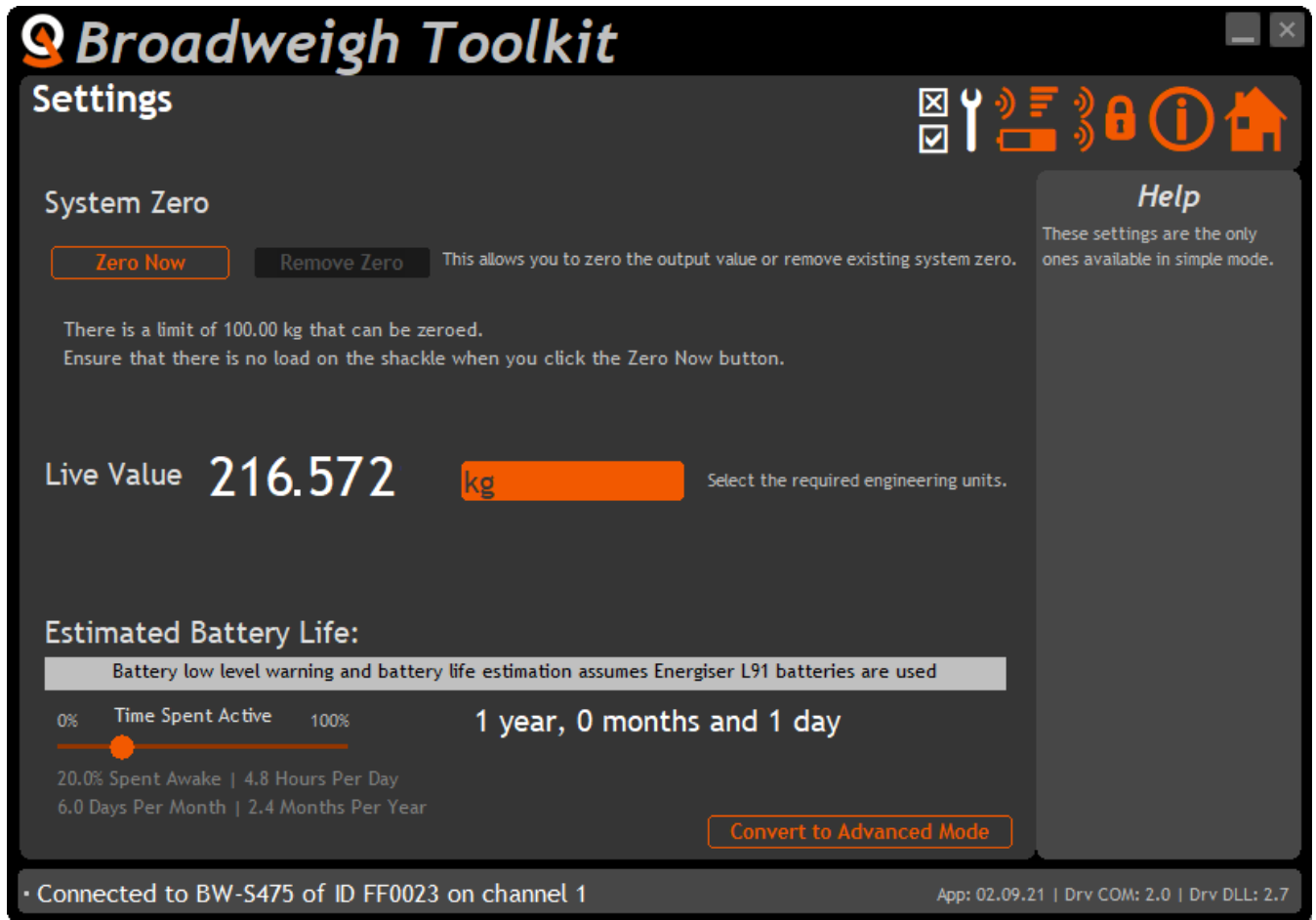
From Q3 2020 all new version 6.0 firmware shackles (with Smart Sleep support) will also default to Simple Configuration Mode when connected to the Toolkit.

Users also have the ability to switch existing, older shackles into Simple Configuration Mode.

In this simple mode most of the settings for the shackles are pre-configured to settings suitable for most scenarios. Those users wishing for more control over setting can opt to convert back to Advanced Configuration Mode at any time.

Simple Mode assumes the use of the recommended Energizer L91 batteries for the low level warnings and battery life estimations. If other batteries are used they may not last as long as the estimated battery life given. Also note that the battery low warning would be activated while there was still a lot of life left in the battery.

Settings



Use this page to adjust the settings of the Broadweigh Shackle.

Parameters:

Zero Now If the shackle is showing a weight value when there is no load on it click this button to set the measurement to zero.

! Do not do this directly after moving the shackle between extremes of temperature. The temperature of the pin should be allowed to stabilise for about an hour before changing the system zero.

Remove Zero Remove the current system zero to show what the shackle is measuring.

Live Value This simply displays the live value as it would be transmitted.

Units Use the drop down box to select the desired units of measurement. Choose between kg, lbs, tonnes, ton, ton (US) & kN.

i Unit selection may not be available on some shackles. When not available the units will be displayed in white text.

Estimated Battery Life This this battery life estimator to get an idea of expected battery life when using Energizer L91 batteries. Using other types of battery may mean battery life could be as low as 60% of the life estimated. Other battery types will also cause the battery low indication to appear prematurely i.e. while there is still a lot of life left in the batteries.

Adjust the slider to represent the amount of time the shackle will be active (i.e. woken and not asleep). The label below the slider reflects the amount of time active and awake by percentage, hours per day, days per month and months per year. One of these should suit your own idea of estimated usage.

As the slider is moved the estimated battery life will be displayed to the right.

Convert to Advanced Mode Clicking this button will cause the toolkit to use Advanced Configuration Mode for this shackle where you will have many more options to configure. You can always switch back to the Simple Configuration Mode from there.



This option may not be available on some shackles. The button will not be visible when not available.

Managed Parameters

In simple configuration mode many parameters and settings are managed for you. Some parameters are set to certain values when you choose to use simple configuration mode and one is just hidden but not changed.

Parameters Pre-configured

These parameters are changed to the values shown below when the user switches a shackle to simple configuration mode. These are also the default values for version 6.0 shackles.

Sleep Delay = 900 seconds (15 minutes)
TX Interval = 1 second
Zero Indication Band = 5 kg
Sample Time = 5 ms
Low Power Mode = On
Battery Low Level = 2.7 V

Smart Sleep Mode = Active *On version 6.0 shackles supporting Smart Sleep*
Smart Sleep Level = 5 kg
Smart Sleep TX Interval = 10 seconds

Parameters Hidden From View

These parameters are also hidden from view in the Toolkit when simple configuration mode is selected but the values will remain as they are set before entering the mode. The factory default for the Data Tag is the last 4 characters of the hexadecimal ID.

Data Tag

Advanced Configuration Mode

In this mode all of the available parameters and settings for the shackle are available to change.

Units



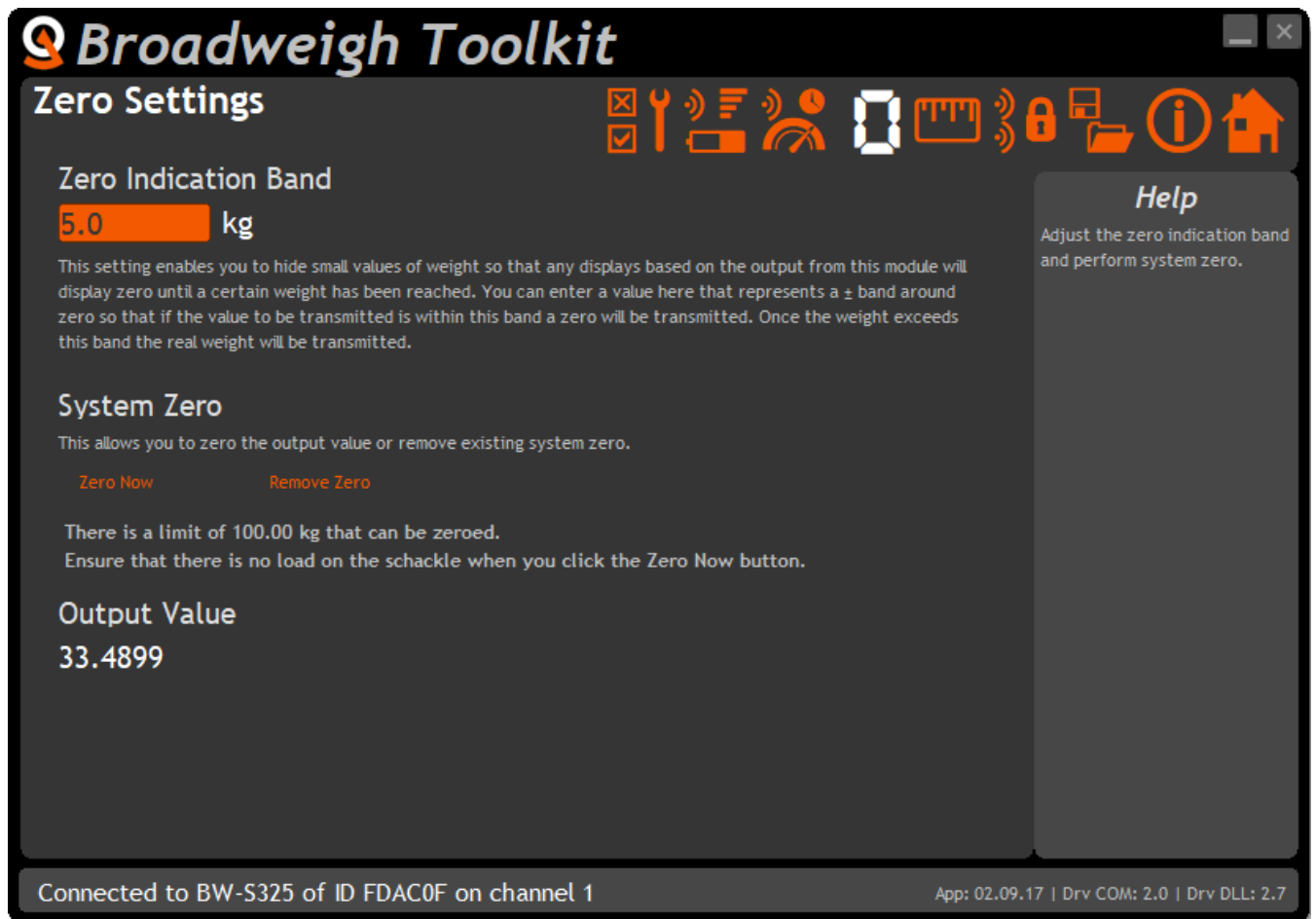
Use this page to select the Output units of the Paired Broadweigh Shackle.

Parameters:

Output Units Use the drop down box to select between kg, lbs, tonnes, ton, ton (US) & kN.



If these units are changed ensure the Zero Indication Band is also set correctly.



Use this page to perform system zero and to hide small values of weight (masking) for the paired Broadweigh Shackle

Parameters:

Zero Indication Band

This setting enables you to hide small values of weight so that any displays based on the output from this module will display zero until a certain weight has been reached. You can enter a value here that represents a \pm band around zero so that if the value to be transmitted is within this band a zero will be transmitted. Once the weight exceeds this band the full weight will be transmitted.

For example: A Broadweigh Shackle with a 5.0 kg Zero Indication Band will only transmit a zero value until 5 kg of weight or more is applied when it will then transmit the applied weight value.

If you change the module units you will need to adjust the zero indication band again.

System Zero

If the unloaded shackle is displaying a small weight you can re-zero the output value by applying a system zero.

Remove the load from the shackle before clicking the 'Zero Now' button.

Output Value

This shows the weight value that will be transmitted and shows the effect of the system zero and the zero indication band.



Use this page to select the rate at which data is transmitted from the acquisition module and the quality. By selecting low power mode and entering some other information the toolkit will also give guides on achievable battery life.

Note that the battery life calculator assumes a 20°C ambient temperature. To ensure optimum battery life, only quality alkaline batteries are recommended. *Rechargeable batteries are not suitable.*

Parameters:

Transmit Interval	Enter the transmission rate in milliseconds. The default is 1000 ms for Broadweigh Shackles. Longer battery life will be achieved with less frequent transmissions.
Sample Time	This is the length of time in milliseconds that the input is sampled before the value is transmitted. This can vary between 5 ms and close to the Transmit Interval. A shorter sample time means that the device is awake for less time so battery life is increased but at the expense of a reading with less noise free resolution. Alter this to see the effect on battery life and noise free resolution.
Low Power Mode	Low power mode is the usual mode of operation and increases battery life. If the transmission interval were increased above 25 Hz (40 ms transmit interval) then low power mode would need to be turned off.

Continued...

Battery Type	This is not a parameter of the device but information used by the battery life guide. Choose from some pre-set battery parameters or choose custom and select chosen battery capacity. See below. This will also offer to change the Battery Low Level if the level suitable for the chosen battery is not the level currently set.
Usable Capacity	This is not a parameter of the device but information used by the battery life guide. This is the capacity of the battery in amp hours and has a profound effect on battery life calculations. This capacity needs to be calculated from battery manufacturer's data sheets to take into account that you can only use batteries down to 2.1 volts so in the case of twin AA cells this would be 1.05 volts. Generally the usable capacity will not be as high as that advertised by the battery manufacturer. Temperature and internal resistance of the battery are not taken into account in the guide.
Sensor Resistance	This is fixed at 1000 ohms.
Usage Per 24 Hour Period	In order to calculate battery life, enter the number of hours per 24-hour period that the Broadweigh Shackle will be connected to a Broadweigh USB base station or Handheld remote



It should not normally be necessary to change these settings.

Parameters:

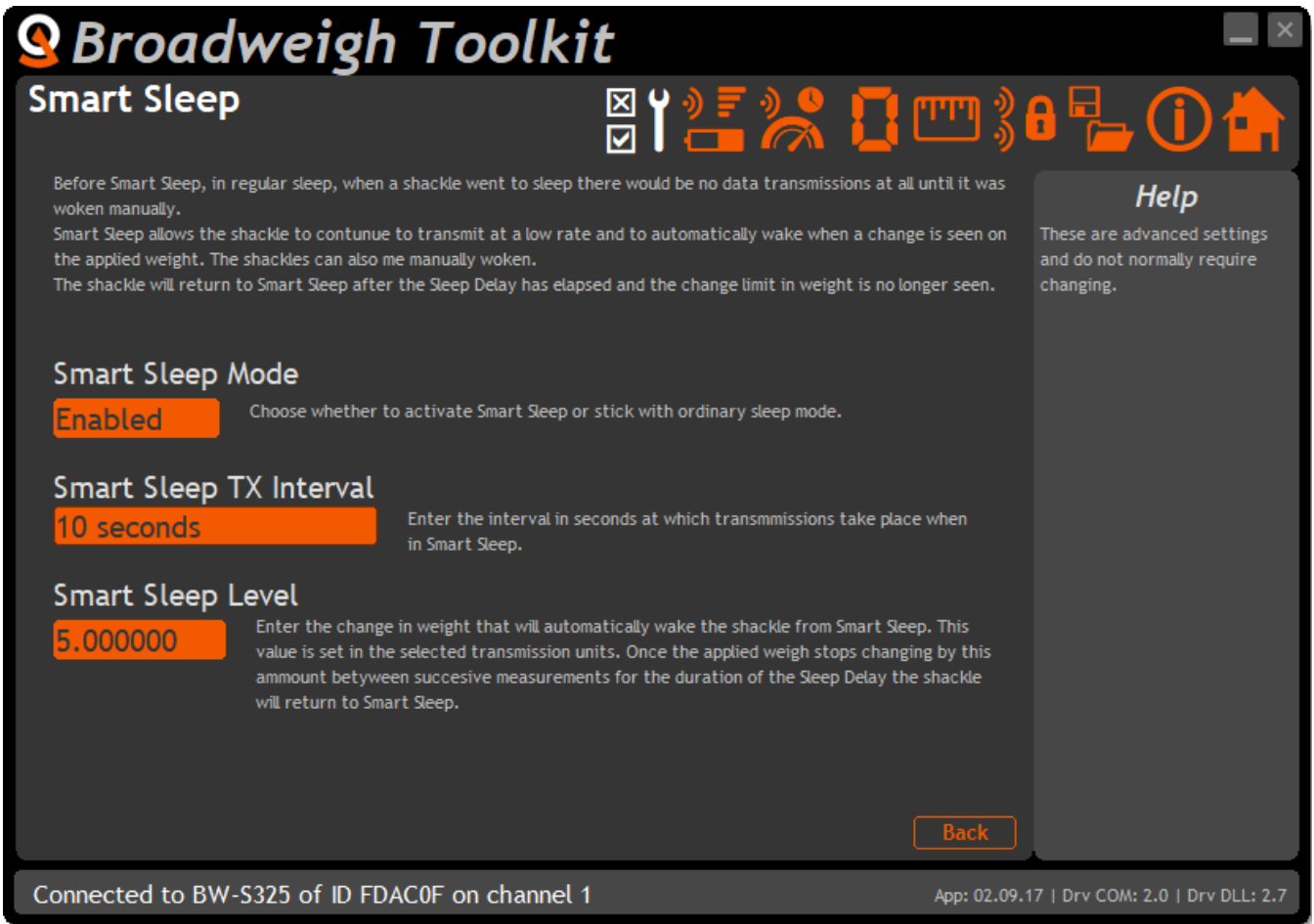
Sleep Delay Enter a delay in seconds after which the Broadweigh Device will return to deep sleep if no Keep Awake message is heard from the handheld or base station. The default is 60 seconds.

i If a value of 0 is used the shackle will not enter into low power state and battery life could be compromised if no other device sends the shackle to sleep.

Data Tag The data transmitted by the Broadweigh Shackle is marked with a Data Tag. By default this is set to the last 4 characters of the device ID. The Broadweigh Shackle Data Tag can be changed to an easily remembered 4 digit code to reflect its position within your system. For example '00A1'.

Smart Sleep This is only available on firmware version 6.0 shackles. Clicking this button allows you to configure Smart Sleep.

Convert to Simple Mode This will switch back to using Simple Configuration Mode for the connected shackle. See [Simple Configuration Mode](#).



In Q3 2020 Smart Sleep was introduced to the shackles and replaces the standard Sleep. Unlike standard Sleep mode, Smart Sleep adds two important features. Transmissions still take place at a new reduced rate. This defaults to a transmission every 10 seconds. In some cases this is a good enough rate for the system to operate at permanently so the shackles need never be woken (Where they would transmit at a faster rate which is every second by default). The second feature is that the shackles can automatically wake when the weigh changes thus automatically providing data at a faster rate when changes to the load have occurred and so the data becomes more interesting.

Newer shackles with these features can be made to operate just like before by setting the Smart Sleep Mode to Disabled.

Parameters:

- Smart Sleep Mode Select either Enabled or Disabled. When disabled the shackle will sleep in the usual manner.

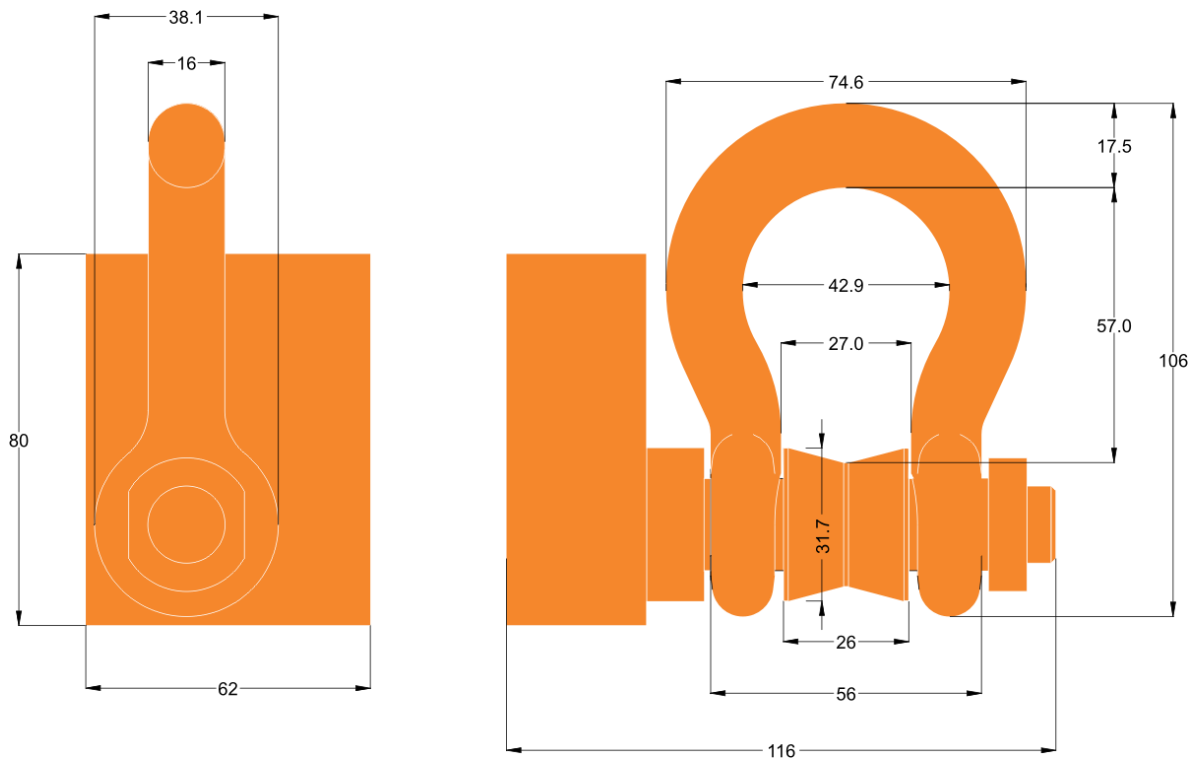
- Smart Sleep TX Interval When smart sleep is enabled a measurement will still be taken and the value transmitted at the specified interval. The default is every 10 seconds.

- Smart Sleep Level If the measured weight changes by this amount or more between successive measurements then the shackle will wake and transmit at its faster TX Interval rate.
 Enter a level of zero to disable this feature.

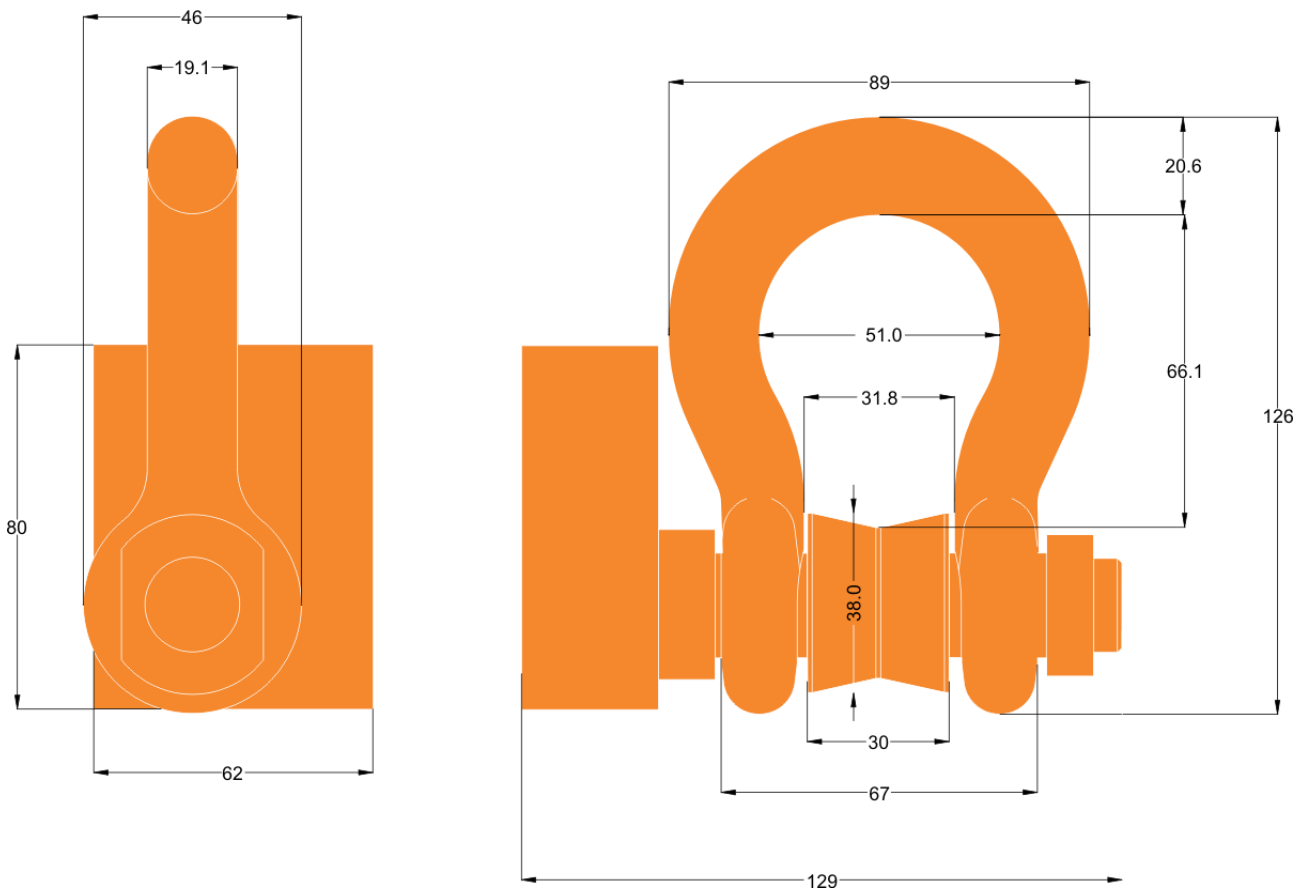
Enclosure & Mounting

Dimensions

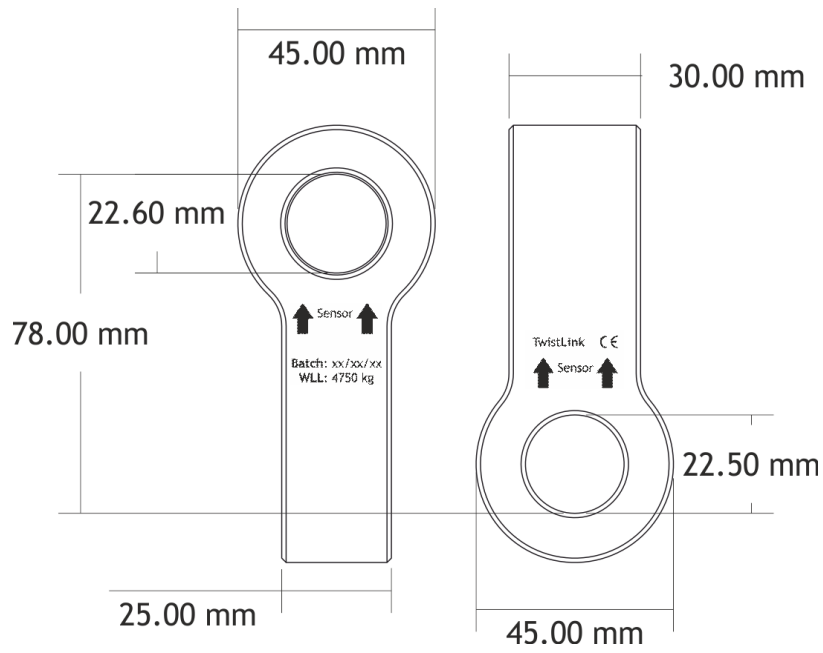
BW-S325 Broadweigh Shackle 3.25T dimensions



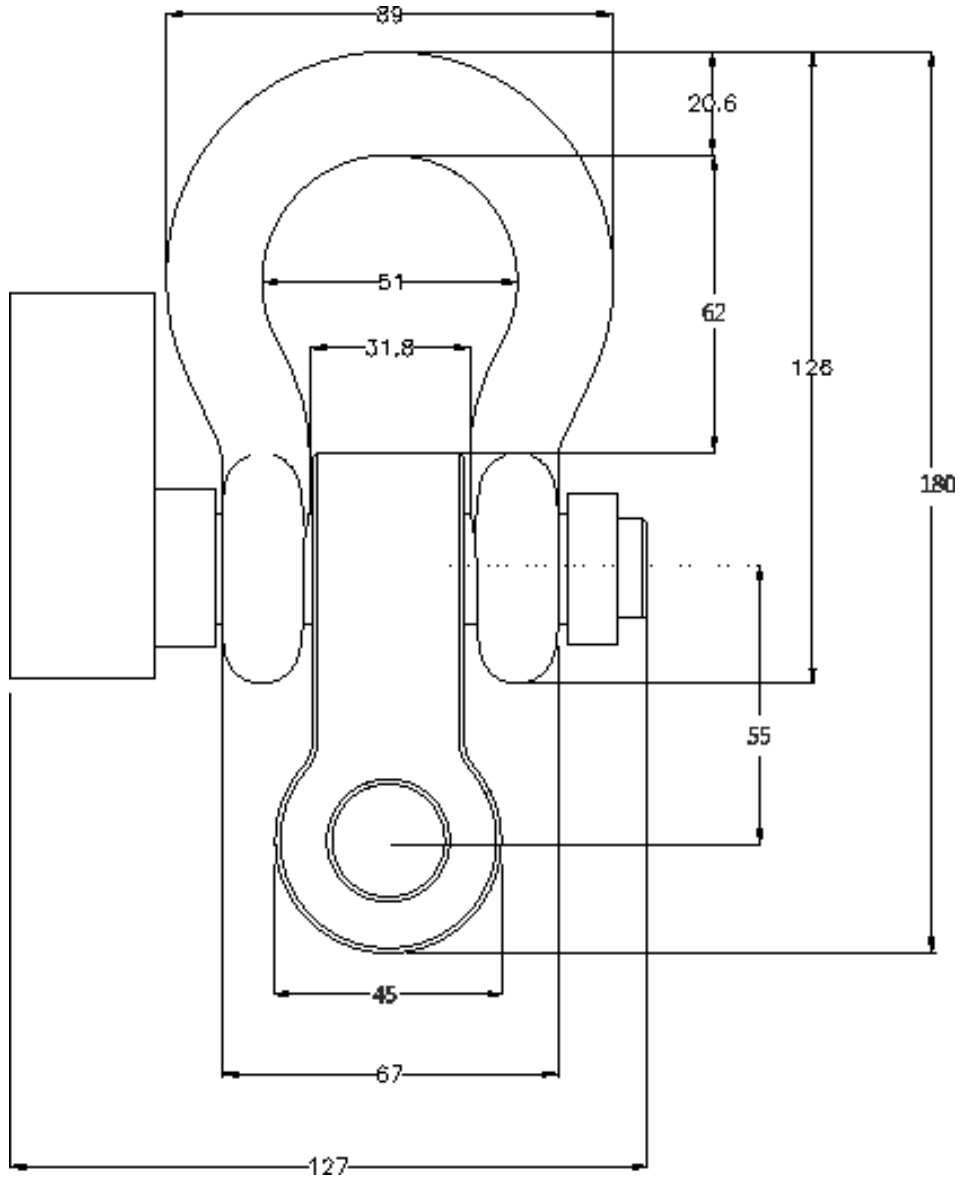
BW-S475 Broadweigh Shackle 4.75T dimensions



BW-TL dimensions



BW-S475-TL dimensions



Opening the Case

Remove the four screws, see [Connecting Power](#)

LED Indicator

The Broadway Shackle is fitted with an LED to provide a visual indication of data transmission from the acquisition module inside. The LED flashes whenever a data transmission occurs. Modules are pre-configured to provide readings once per second.

<i>Flashing</i>	Data transmitting
<i>Constant</i>	Connected to Broadweigh Toolkit or handheld display for configuration
<i>Off</i>	Asleep

Specification

Measurement	Min	Typical	Max	Units
Weight Range (SWL)			3250 or 4750	kg
Accuracy Original Bobbin/Twistlink		Typically $\pm 1\%$ of load or ± 25 kg whichever is greater		
Accuracy After Replacing Original Bobbin with Non Original Bobbin		Typically $\pm 2\%$ of load or ± 35 kg whichever is greater		
Accuracy After Replacing Original Bobbin with Twistlink (BW-TL)		Typically $\pm 2.5\%$ of load or ± 50 kg whichever is greater		

Power Supply	Min	Typical	Max	Units
Estimated Battery life 2 X AA Energizer L91 batteries (1 update per second):				
Asleep		2.5+		Years
Continuous operation		3		Months
8 Hours Usage Per Day		8		Months
4 Hours Usage Per Day		1.0		Year
2 Hours Usage Per Day		1.5		Years

Environmental	Min	Typical	Max	Units
IP rating		IP67		
Operating temperature range	-20		+50	$^{\circ}\text{C}$
Storage temperature*	-40		+85	$^{\circ}\text{C}$
Humidity	0		95	%RH

* Excludes Batteries.

Radio Range

For details of radio range please refer to [Appendix B – Radio Range](#)

BW-WSS

Overview

The BW-WSS wireless anemometer is built on the same technology as other Broadweigh wireless sensor interfaces offering the same sleep and wake functionality and operation with peripheral modules including handhelds and USB base stations.

The Anemometer features a high quality 3-cup rotor pressed on a stainless steel shaft with rugged Delrin body with bronze Rulon bushings

The output value of the anemometer can be configured to the user's requirements and measure over the range 5 to 125 mph.

Accuracy:

- 0.5 mph from 5 to 10 mph
- $\pm 4\%$ from 10 to 125 mph

The user can set a period over which to average the wind speed (regardless of transmission rate) and optionally include a second transmission of gust which is also measured over a user defined period.

The BW-WSS is powered either from internal batteries or an external supply. For applications which require high sampling rates for long periods Broadweigh's PowerPack and SolarPanel ([PP1 & SP1](#)) offers an ideal solution.

Order Codes

BW-WSS



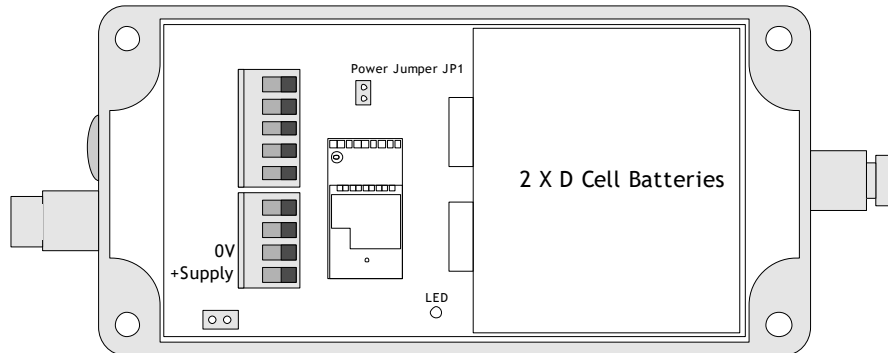
Wireless wind speed transmitter module mounted in large weatherproof enclosure with battery holder for two D cell alkaline batteries. Also has ability to be powered from external supply voltage. For clamp mounting to 50 mm scaffold pole.

Connections

Power

Power can be supplied by fitting two D cell alkaline 1.5 V batteries or the module can be supplied from an external 5 Vdc to 18 Vdc source. The module will switch to the external supply in preference providing a battery backup. In both cases you need to fit the JP1 power jumper to supply power to the transmitter module.

When powered from the external DC source the LED will illuminate. The cable for the external supply should be routed into the cable gland at the bottom of the case, up past the battery holder and into the two part connector terminals shows in the diagram below.

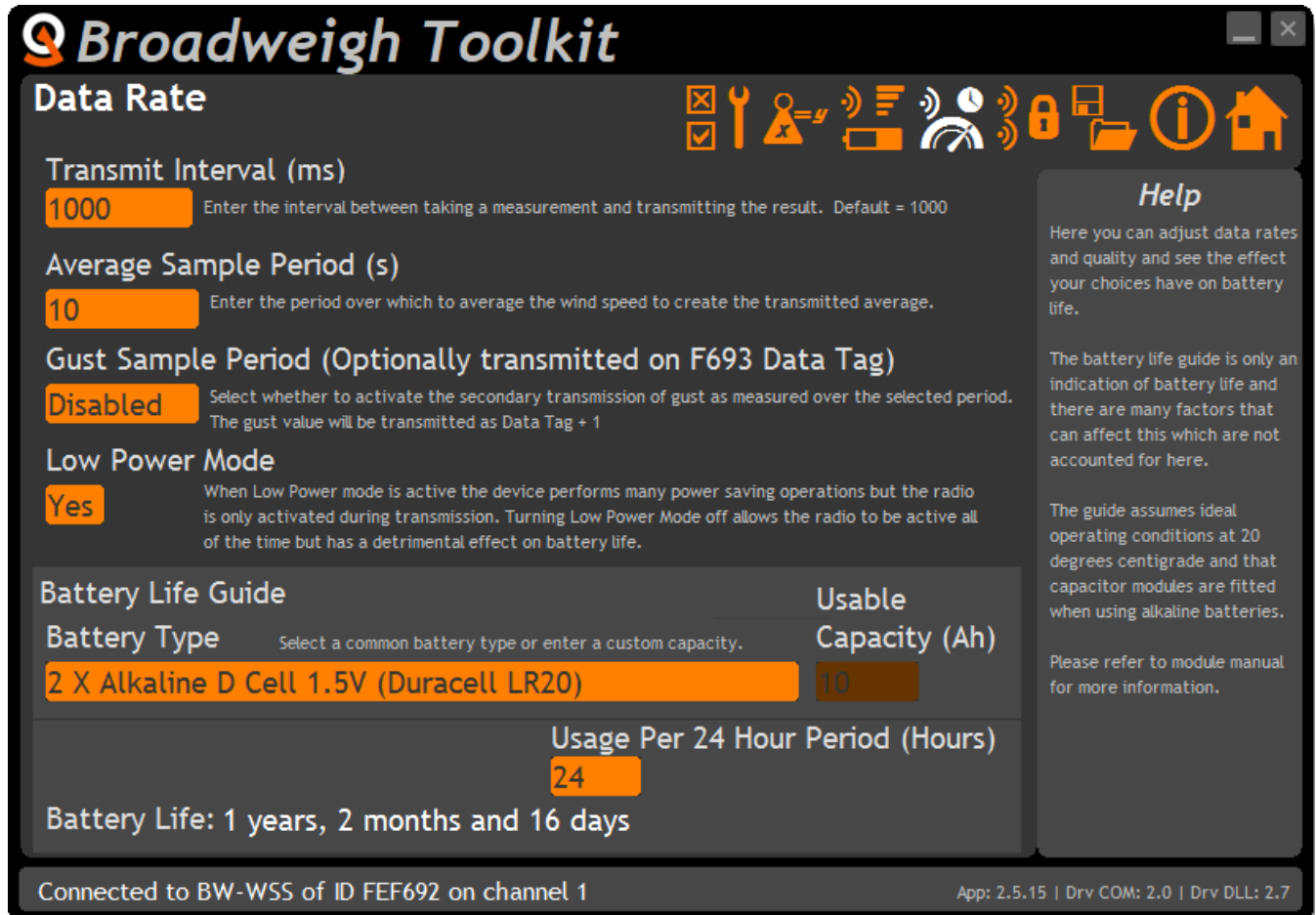


Configuration

The Broadweigh Toolkit provides a means of simple configuration and calibration of the transmitter module along with useful tools to aid integration.

Launch the Broadweigh Toolkit software application and pair to this module to enable the connection to the Toolkit to allow configuration to take place. [See Common Toolkit Pages - Home](#)

Data Rates and Quality



The screenshot shows the Broadweigh Toolkit software interface. The main window is titled "Broadweigh Toolkit" and has a dark theme. The "Data Rate" section is active, showing several configuration options: "Transmit Interval (ms)" set to 1000, "Average Sample Period (s)" set to 10, "Gust Sample Period (Optionally transmitted on F693 Data Tag)" set to Disabled, and "Low Power Mode" set to Yes. Below these is the "Battery Life Guide" section, which includes "Battery Type" set to "2 X Alkaline D Cell 1.5V (Duracell LR20)", "Usable Capacity (Ah)" set to 10, and "Usage Per 24 Hour Period (Hours)" set to 24. The resulting "Battery Life" is calculated as "1 years, 2 months and 16 days". A "Help" sidebar on the right provides additional information about data rates and battery life. At the bottom, the status bar shows "Connected to BW-WSS of ID FEF692 on channel 1" and version information: "App: 2.5.15 | Drv COM: 2.0 | Drv DLL: 2.7".

This page allows you to select the rate at which data is transmitted from the transmitter module and the quality. By selecting low power mode and entering some other information the toolkit will also give guides on achievable battery life.

Note that the battery life calculator is assuming the best case scenario which is at 20 °C and that the battery has a suitable low internal resistance or that a suitable capacitor is fitted across the battery. See battery details in the Installation section.

Items you can change:

Transmit Interval

Enter the transmission interval in milliseconds. The default is 1000 giving a reading every second. You may want increase this value to slow transmissions down to achieve longer battery life.

Average Sample Period (s)

The average wind speed as measured over the sample period defined here is transmitted every Transmit Interval using the Data Tag set in the Advanced Settings. This period is a moving window so at every transmission interval the value transmitted will be the average wind speed as measured over the last sample period up to the transmission event. If the sample period is set to less than the transmit interval then the value transmitted will actually be the average of the wind speed since the last transmission. So setting this to zero would always transmit the average wind speed between transmissions.

Gust Sample Period (s)

The gust value is transmitted at the transmit interval using the Data Tag + 1. The Data Tag used will be displayed in the title.



Note that the Data Tags are represented as hexadecimal values so adding 1 to the base Data Tag may not result in an obvious new Data Tag. After digits 0-9 come letters A-F.

Base Data Tag	Gust Data Tag
F123	F124
F129	F12A
F1AF	F1B0

The wind speed gust value is optional and can be selected by choosing a gust sample period from Disabled, 1, 3, 5 or 10 seconds.

The gust value transmitted is the maximum average wind speed measured within the rolling window as defined by the gust sample period.

For example, the transmit interval may be 30 seconds and the gust sample period may be 5 seconds so that every 30 seconds the gust value transmitted would be the maximum average wind speed seen within any 5 second period since the previous transmission.

Low Power Mode

Unless the transmitter module is non battery powered this should be set to Yes. In between transmissions the transmitter module will enter low power mode which will have a large effect on battery life. A Reason for not using Low Power Mode would be if using the module in a Master-Slave arrangement with PC for example.

Battery Type

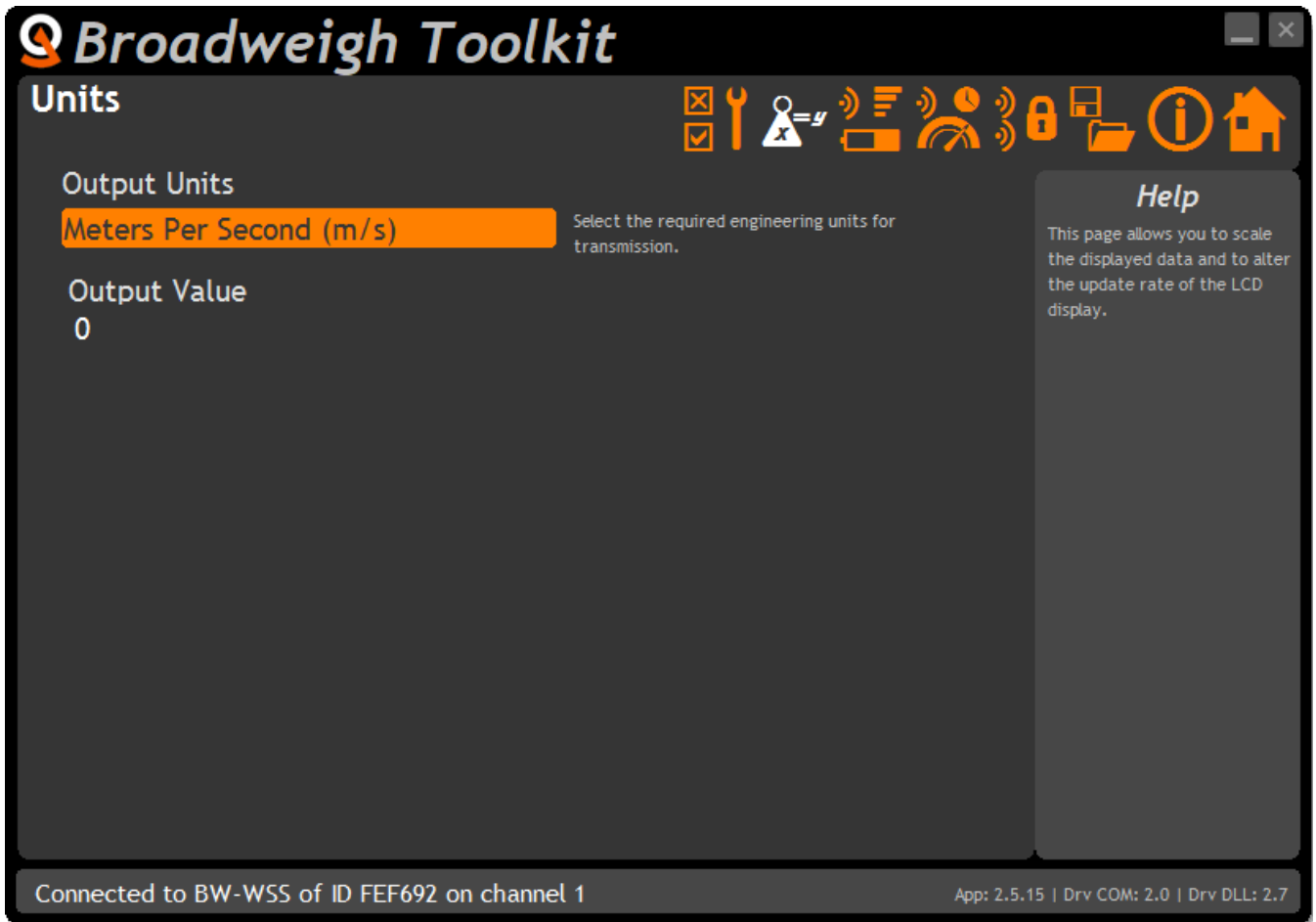
This is not a parameter of the module but information used by the battery life guide. You can choose from some preset batteries or choose custom to allow you to select your own battery capacity. See below. This will also offer to change the Battery Low Level if the level suitable for the chosen battery is not the level currently set.

Usable Capacity

This is not a parameter of the module but information used by the battery life guide. This is the capacity of the battery in Amp Hours and has a profound effect on battery life calculations. This capacity needs to be calculated from battery manufacturer's data sheets to take into account that you can only use batteries down to 2.1 volts so in the case of twin AA cells this would be 1.05 volts. Generally the usable capacity will not be as high as that advertised by the battery manufacturer. Temperature and internal resistance of the battery are not taken into account in the guide.

Usage Per 24 Hour Period

Enter the number of hours per 24 hour period that the module will be turned on and transmitting.

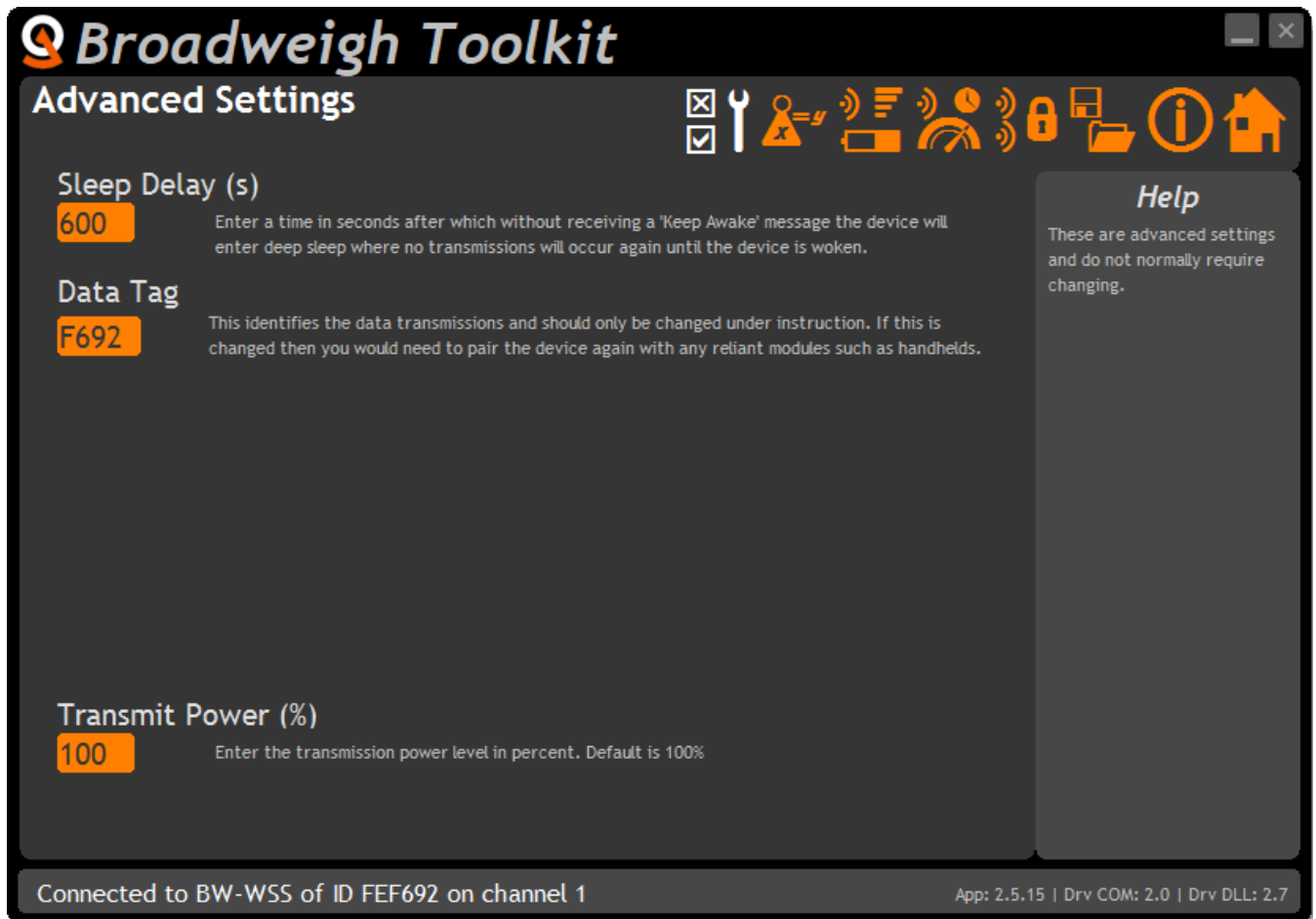


Output Value is the live value of the current wind speed in the units selected above.

Items you can change:
Output Units

Simply select the required output units from the drop down list. The BW-WSS can provide wind speed in:

Description	Units
Miles Per Hour	mph
Metres Per Second	m/s
Kilometres Per Hour	Km/h
Feet Per Second	fps
Knots	kn



You should not normally need to change these settings.

Items you can change:

Sleep Delay

Here you can enter a delay in seconds after which the transmitter module will return to deep sleep if no Keep Awake message is heard from software, handheld or other receiving modules. The default is 60 seconds.

Data Tag

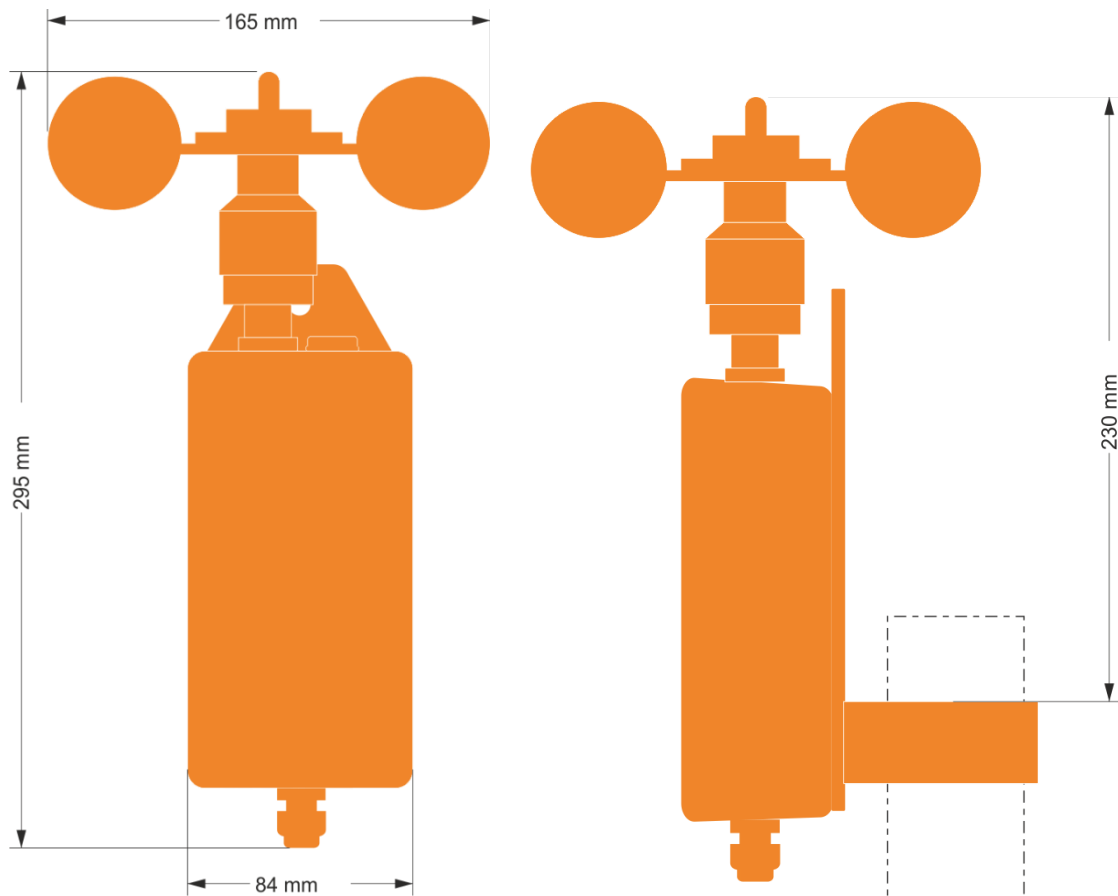
The data transmitted by the transmitter module is marked with a Data Tag which is a 2 byte hexadecimal code. By default this is set to the last 2 bytes of the module ID (or to put it another way, the last 4 characters of the module ID). If by some chance you had two transmitter modules that would be working on the same channel and had the same last 4 characters in their ID (1 in 65535 chances) you may want to change the Data Tag of one of the modules and perform pairing again with the handheld. Average Wind Speed is transmitted using the defined Data tag. Optionally Gust Wind Speed is transmitted using the defined Data Tag + 1.

Transmit power

Set the transmit power level from 0–100%. Default is 100%

Enclosure & Mounting

The BW-WSS is designed to be attached to the top of a 50 mm scaffold pole or equivalent using the fitted clamp.



Antennas

These modules have the antenna already fitted inside the enclosure so there are no specific mounting requirements.

Specification

Specification at 3V supply at 25°C

Parameter	Min	Typical	Max	Units
Measurement Range	5	-	125	mph
Accuracy 5 – 10 mph		0.5		mph
Accuracy 10 – 125 mph		±4%		mph

Environmental	Min	Typical	Max	Units
Operating Temperature Range	-20		+55	°C
Storage Temperature	-40		+85	°C
Humidity	0		95	%RH
Environmental protection with suitable cables exiting through cable glands.		IP67		

Power Supply	Min	Typical	Max	Units
Standby / Low Power Mode		5	20	µA
Normal Mode on constantly		55	60	mA
Reverse Polarity Protection		-	-32	Vdc
Internal				
Battery Supply Voltage	2.1	3	3.6	Vdc
Current		60	65	mA (1)
External				
Power Supply voltage	5		18	Vdc
Power Supply ripple			50	mV ac pk-pk
Current		60	65	mA (1)

1. Power supply must be capable of supplying 300 mA for 250 µs

Battery Life in Low Power Mode Generating Results every second	Usage	Battery Life
Pair D cells	Constantly on	1 year
Pair D cells	12 sessions per day of 10 minutes	6 years

Radio Range

For details of radio range please refer to [Appendix B – Radio Range](#)

Receiver Modules

Receiver modules use the messages sent by the transmitter modules. These modules may process or display this information or convert the data into a different physical format.

BW-HR

Overview

The BW-HR is a roaming handheld that can be used to view the reading supplied by an unlimited number of Broadweigh shackles. The shackle module Data Tags or IDs do not need to be known beforehand.

The handheld will automatically wake any shackle on the same channel and group key. An internal list is maintained of the top n number of transmitter modules ordered by signal level and a Next key on the handheld allows cycling through this list. The list size (n) is variable between 2 and 20 and this enables the viewing experience to be tailored to particular applications.

The transmitter modules are identified by their 4 character hexadecimal Data Tags and these may be set using the Broadweigh Toolkit.

When in communication with a particular shackle the LED on that shackle is activated. This provides visual feedback of the selected and currently viewed shackle.

i Although the handheld will wake up sleeping Transmitter modules as it detects them it will not send them back to sleep. After the handheld is turned off the Transmitters will remain awake. Use Sleep Delay setting in Transmitters to ensure they turn off again when the handheld is turned off or moves out of range.

Order Codes

BW-HR



Handheld display for unlimited number of shackles in a robust weatherproof enclosure.

Connections

Power

The handheld module is powered by two alkaline AA batteries.




Due to the higher voltage requirements of this module NiMh and NiCad batteries are not recommended.


Operation

View readings

Turn the handheld on by pressing and holding the  symbol (on the right) until the display is active. This will wake the radio and measurement system in the Broadweigh shackle(s). The factory default displayed value is in kg.


The handheld display automatically switches 'on' the shackles as soon as they are in range. The handheld will then display the shackle with the strongest signal – in most cases the nearest shackle.

Select a new shackle to display by pressing the  key and the shackle data tag will be shown briefly before the reading is displayed. The data tag is (by default) the last 4 characters of the ID which can be found on the shackle label.

By pressing and holding the  key, the shackle Data Tag currently being measured will be shown. The currently selected shackle LED will also change from flashing to permanently on.

The handheld can read from an unlimited number of shackles.

The Broadweigh shackles is pre-set to return to sleep 60 seconds after the handheld is turned off or is taken out of range.

 **TIP!** – The Broadweigh Shackle Data Tag can be changed to an easily remembered 4 digit hexadecimal code to reflect its position within your system. For example 'A001'. See Broadweigh Shackle – [Advanced settings](#).

Keys



Power Key - Press and hold the power key for approximately 2 seconds then release the key.

This will toggle between turning the handheld on and off.

Can also be used, by giving a quick press, to reset the Auto-Sleep delay.




Next Key - Selects the next shackle to view.

Pressing and holding will display the currently viewed module Data Tag without moving to the next module.

Indicators

SIG LOW

The radio signal from the shackle is low. The shackle is still functioning but the limit of the range may be near. Communications may start to deteriorate when this indicator is visible. Until ----- is displayed the communications is still OK and the display can be relied on for accuracy.

 Even with a degraded signal the display value will always be correct.

BATT LOW

The batteries in the handheld are low and need to be replaced.

REMOTE ERROR

The shackle has an error that the handheld does not recognise.

REMOTE BATT LOW

The battery in the shackle is low.

Errors

Displayed on handheld LCD.

Error 1	The shackle is in shunt calibration mode. An external module or software may have placed the shackle in Shunt Calibration mode so rather than display a misleading reading this error is displayed instead.
Error 2	Input integrity error. The shackle module has found a problem with the input. There may be open or short circuits. Rather than display a misleading reading this error is displayed instead.
Overload	The overload limit set by the user has been exceeded.

Special Modes

Pair



The handheld has the ability to configure a shackle to match the handheld's own radio channel and group key settings.

Ensure that the transmitter module is unpowered for at least 10 seconds. Locate the upper left key by feeling for a slight bump on the label.

Press and hold this key for 5 seconds until PAIRING appears on the LCD. Release the key and apply power to the shackle.

The amount of time you have to reapply power to the transmitter module can be set by PairDuration in the Broadweigh Toolkit when connected to the BW-HR. This defaults to 5 seconds.

System Zero



The handheld has the ability to perform a system zero on a shackle. This may be useful after installing new shackles and enables system zero to be set without the need for a PC/laptop and Broadweigh Toolkit.

Set the handheld to view the desired shackle by using the Next key.

Locate the upper right key and lower right key by feeling for slight bumps on the label.

Press and hold these keys for around 8 seconds until ZERO appears on the LCD. Release the keys and the display should then show the zeroed reading.

This system zero is performed at the shackle and is stored through power cycling.



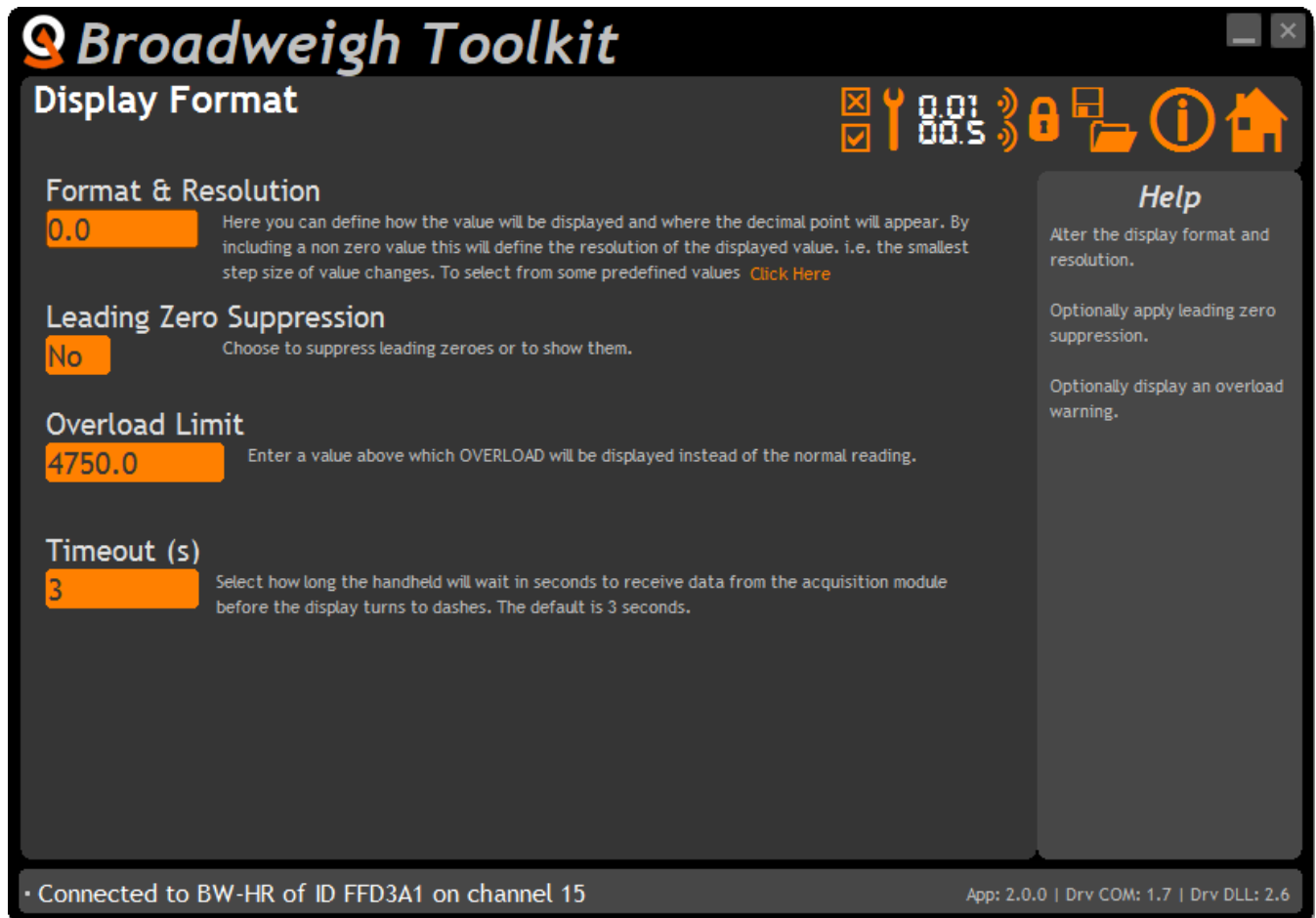
You cannot remove a system zero using this function. You can only re-zero.

To remove a system zero you must pair to the shackle using the Toolkit and remove it from there.

Configuration

Launch the Broadweigh Toolkit software application and pair to this module to enable the connection to the Toolkit to allow configuration to take place. See [Common Toolkit Pages - Home](#)

Display Format



Here you can adjust the display.

Items you can change:

- | | |
|--------------------------|--|
| Format & Resolution | Here you can define how the values are displayed on the LCD. There are 7 digits available and you can define where the decimal point is shown by entering text where a zero indicates a numeric digit position.
When the data is being displayed the number of decimal places you define may be overridden as the display will always show the correct number of integer digits.
Example: If you set the format to 000.0000 and the value to display is 1000.1234 the display will show 1000.123
You can also define the resolution, which is the block size of changes to the display.
Example: If you enter the format as 000.0005 the display will only change in steps of 0.0005 which can be used to mask noisy digits at high resolutions. |
| Leading Zero Suppression | This can be turned on or off and will suppress leading zeroes when on.
Example: If the display reads 000.123 with leading zero suppression turned off it will display 0.123 when turned on. |
| Overload Limit | You can enter a limit here above which Overload will be shown on the display instead of the actual value.
Enter zero to disable this feature. |

Timeout

Enter the timeout in seconds. This sets the time allowed without any data arriving from the viewed module before all dashes are displayed on the LCD. Should be at least 3 times the interval between the messages being sent by the transmitter module.



You should not normally need to change these settings.

Items you can change:

List Size

This setting determines how many of the transmitter modules with the highest signal level make up the list which the next key cycles around.

Based on the application and how many transmitter modules are in the vicinity of the handheld this list size can affect how the operator uses the handheld.

Range is between 2 and 20.

Auto Off Delay

Here you can specify the delay in minutes after which the handheld will automatically turn off after no button is pressed.

Enter zero to disable this function. The default is 5 minutes.

Enclosure & Mounting

See [Appendix A – A Type](#) section for more information.

Antennas

These modules have the antenna already fitted inside the enclosure so there are no specific mounting requirements.

Specification

Electrical	Min	Typical	Max	Units
Power Supply voltage	2.5	3.0	3.6	Vdc

Power Supply	Min	Typical	Max	Units
Active		35	40	mA
Low power mode		120	160	µA
Estimated Battery life using 2Ahr batteries:				
Standby mode (Powered off)		1.5		Years
Continuous operation		40		Hours

Environmental	Min	Typical	Max	Units
IP rating		IP67		
Operating temperature range	-10		+50	°C
Storage temperature	-40		+85	°C
Humidity	0		95	%RH

Physical	
Hand Held Dimensions	90 x 152 x 34 mm

Radio Range

For details of radio range please refer to [Appendix B – Radio Range](#)

BW-HA

Overview

The BW-HA is a highly configurable handheld display for displaying data from Broadweigh shackles and other transmitters.

The handheld can operate by displaying data from any transmitter detected or you can define up to 24 specific shackles or other transmitters to allow the operator to cycle through.

Grouping functions allows up to 8 group totals to be viewable. Each group or individual transmitter has user defined name, scaling, display format, zero functions and overload settings.

Order Codes

BW-HA



Handheld display module in a robust weatherproof enclosure.

Connections

Power

The handheld module is powered by two alkaline AA batteries.

i Due to the higher voltage requirements of this module NiMh and NiCad batteries are not recommended.

Quick Start

This section will show you how to get the handheld and a Transmitter working out of the box. You will require two AA batteries for the handheld and a 3 V dc supply for the transmitter module which may also be a pair of AA batteries.

Connecting Power

BW-HA

Remove the two screws on the rear battery compartment. Insert two AA batteries. Refit the battery compartment cover. The handheld module is now switched on and will display BUSY until it detects a Transmitter.

Shackle or Transmitter Module

See the relevant shackle or transmitter module manual section for information about connecting power.

Viewing Shackle or Other Transmitter Data

The factory default setting for the handheld is that no specific Transmitter modules are configured so it will display data from any Transmitter on the same radio channel and using the same Group Key.

If you have purchased the handheld and Transmitter module (or shackle) at the same time then both will default to radio channel 1 and a blank Group Key.

Once power has been applied to the Transmitter the handheld will briefly display its Data Tag then show its value on the LCD. If you have more than one Transmitter then pressing the Next key (Triangular arrow) will move to the next available Transmitter.



Note that when no Transmitters are specified as inputs the handheld will wake up sleeping Transmitter modules as it detects them but it will not send them to sleep. After the handheld is turned off the Transmitters will remain awake. Use Sleep Delay setting in Transmitters to ensure they turn off again when the handheld is turned off or moves out of range.

Operation

Keys

The keys have two functions. A short press is a press and release. A long press is press and hold for around 2 seconds.



Power Key

Long Press – Powers the handheld on and off. Hold the power key until the display shows BUSY then release the key.

Quick Press - Toggle the backlight on and off when in manual backlight mode.



Next Key

Short Press - Step to the next Transmitter or group. A brief prompt will be displayed before the value is shown which will either be the Transmitter Data Tag or a user defined name.

Long Press - Display the Data Tag or name of the currently viewed Transmitter or group without moving to the next.



Tare Key

Short Press - This will toggle between gross and zeroed net mode. i.e. If the display shows gross then pressing the key will zero the display. Pressing the key when in net mode will return the display to gross mode. The Gross and Net modes are indicated as described below. Gross and Net states are retained through power off.

Long Press - When in net mode will briefly display the Gross value but remain in net mode.

Indicators



The display is showing Gross weight.



The display is showing Net weight.



The radio signal from the transmitter module is low. The module is still functioning but the limit of the range may be near. Communications may start to deteriorate when this indicator is visible. Until ----- is displayed the communications are still OK and the display can be relied on for accuracy.



Even with a degraded signal the display value will always be correct.



The batteries in the handheld are low and need to be replaced.

REMOTE



The transmitter module has an error that the handheld does not recognise.



The battery or supply to the transmitter module is low.

Errors

Displayed on handheld LCD.

Error 1

The transmitter module has a strain gauge input and is in shunt calibration mode.

An external module has placed the transmitter module in Shunt Calibration mode so rather than display a misleading reading this error is displayed instead. Only certain transmitters support this error type.

Error 2

Input integrity error. The transmitter module has found a problem with the input. There may be open or short circuits. Rather than display a misleading reading this error is displayed instead. Only certain transmitter modules support this error such as the shackles.

Overload

The overload limit set by the user has been exceeded.

Configuration

The Broadweigh Toolkit provides a means of simple configuration of the handheld module along with useful tools to aid integration.

Launch the Broadweigh Toolkit software application and pair to this module to enable the connection to the Toolkit to allow configuration to take place.

Remove a handheld battery, click Pair in the Toolkit and replace battery to perform a full pairing. This will work regardless of the radio settings in either the base station or the handheld.

If you know that the radio channel and group key settings of the base station and the handheld are the same you could soft pair to the handheld by performing a manual pair in the Toolkit and just entering the ID of the handheld.

[See Common Toolkit Pages - Home](#)

Modes of Operation

The handheld will allow you to view data from multiple transmitters and also allow the viewing of the sum of multiple transmitters. How the handheld operates depends on how you configure its list of transmitters ('Inputs') and optional summing groups.

When the handheld is turned on it will wake all transmitters using the same radio channel and group key if you have selected this feature.

No List Entered (Default)

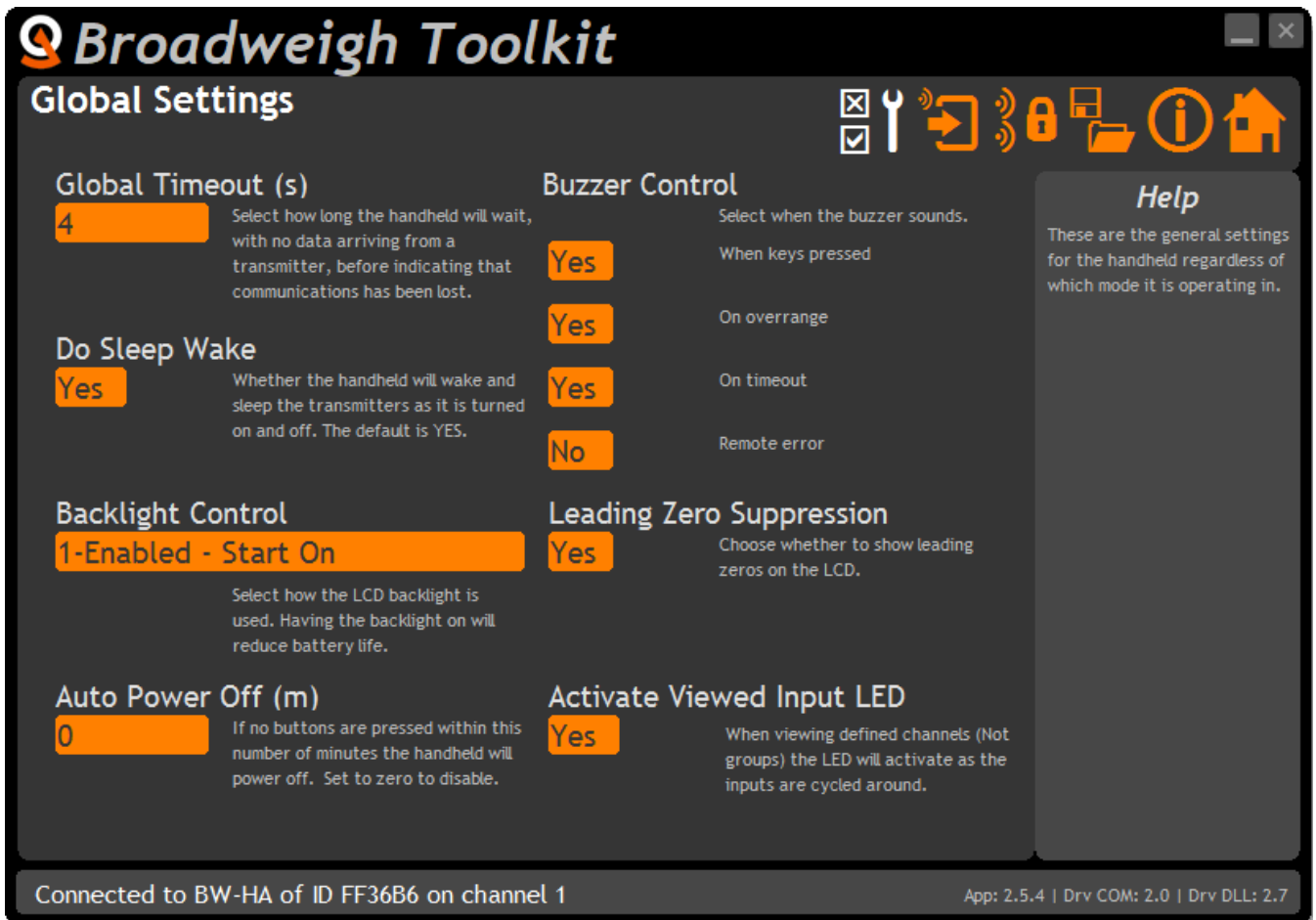
In its simplest, out of the box, configuration the handheld has no transmitter inputs specified. In this mode the handheld will display data from any transmitter using the same radio channel and group key. To make things easier you can set a list Set Size so that the Next key just cycles around the n highest signal transmitters. This has a useful effect when setting the list size to 1 in that you can walk up to a transmitter, press the Next key and effectively select that one for viewing (as that will be the highest signal transmitter detected). As the different transmitters are cycled through, their Data Tags will be displayed briefly before their transmitted value is shown. In this mode the transmitters should have their Sleep Delay settings enabled so that they go back to sleep after the handheld is turned off or out of range as the handheld will wake all transmitters but not send them back to sleep. (Equivalent to the roaming capability of the BW-HR handheld)

List Entered

When you know which transmitter or transmitters are in your system (or you want to limit viewing to a certain collection of transmitters) you can enter up to 24 in the handheld's list of transmitters. The advantage over *not* having a list is that you can name each transmitter so their name is shown on the display instead of their Data Tag as they are selected. You can also configure each input separately for overload, format and scaling etc. In this mode, if the option to sleep and wake transmitters is enabled, the transmitters will be sent to sleep when the handheld is turned off.

List Entered Plus Summing Groups

Once you have entered at least one transmitter input in the list you also have the option of creating summing groups. Up to eight groups can be defined and any of the inputs can be defined as belonging to any of the groups. In this mode the Next key cycles around the groups instead of the individual inputs. Each summing group will display the summed total of all its constituent inputs. Groups have user defined names as well as overload levels, scaling and formats. Unless disabled you can also 'drill down' and look at the groups constituent inputs.




Here you can adjust the settings common to all modes of operation.

Items you can change:

- Global Timeout (s)** This is how long the handheld will wait with no data received from the viewed transmitter before indicating that the signal has been lost. This should be set to at least twice the slowest transmitter interval.
- Do Sleep Wake** Select this feature to enable the handheld to wake and sleep transmitters. When no transmitters are defined all sleeping transmitters (on the same radio channel and using the same Group Key) will be woken as they come into range of the handheld. Transmitters will not be sent to sleep regardless of this setting. When transmitters have been defined the handheld operated a little differently. For the first 12 seconds after turning the handheld on all transmitters will be woken (not only those defined). But on turning off the handheld the transmitters in the list will be sent to sleep.
- Backlight Control** Select whether to disable or enable the backlight. If enabled you can chose to turn it on as soon as the handheld turns on and have control over its state using the power key (short press) or you can choose to operate automatically whereby the light comes on when a key is pressed and goes off after 30 seconds.
- Auto Power Off** Set a time in minutes after which the handheld will turn off if no keys have been pressed. Set to zero to disable this feature. Will require a power cycle to change.
- Buzzer Control** Here you can select whether the buzzer will sound when certain states are active.
- Leading Zero Suppression** This will remove leading zeros from displayed values in all modes.

Activate Viewed Input LED When no transmitters are defined the transmitter currently being viewed will always activate its LED regardless of this setting. When any transmitters are defined then the transmitters LEDs will only activate when being viewed if this setting is activated.

 This feature should be disabled when being used with shackles with firmware versions below 04.00 as their LEDs may remain on when turning off the handheld.

Configure Inputs

No Defined Transmitters

This page will be displayed when no transmitter list has been defined.

Broadweigh Toolkit

Configure Inputs

Current Mode: No inputs defined. Handheld can display data from any transmitter.

The handheld can operate in two modes. If you choose to define up to 24 transmitters you can set the format, scaling and overload for each individual channel and set name to display as each input is selected. You can also take advantage of summed groups which can sum the outputs of any combination of defined transmitters. Or you can choose to not define any transmitters and allow the handheld to view any transmitters on the same radio channel and using the same group key. Currently there are no transmitters defined so anything the handheld displays will use the settings below.

Set Size
You can choose the size of the transmitter set to scroll through when the 'Next' button is pressed. The handheld will keep a dynamic list, of the chosen size, of the highest power transmitters detected. This just limits the scrollable set to a manageable number when a lot of transmitters are present. For example: Set the size to 1 to enable the ability to walk up to a transmitter and click 'Next' to view that transmitter.

Format & Resolution
Set the format and resolution for all displayed values.

Overload
Set the overload level above which 'Overload' will be displayed.

Zero Indication Band
If the absolute value to display is less than this level then zero will be displayed.

Define Transmitters
If you want to define one or more transmitters click the 'Define' button.

Help
This page allows you to define up to 24 transmitters as selectable inputs with individual control over format, resolution, and scaling. You can also supply a name to display as each input is selected.
You can optionally define up to 8 summing groups which are displayed instead of the individual inputs. These groups allow any number of inputs to be summed and you also have control over the name, format and scaling of those groups.

Connected to BW-HA of ID FF36B6 on channel 1
App: 2.5.4 | Drv COM: 2.0 | Drv DLL: 2.7

Here you can adjust the settings common to all displayed transmitter values.

Items you can change:

Set Size This setting determines how many transmitter modules, with the highest signal levels, make up the set through which the Next key cycles. Based on the application and how many transmitter modules are in the vicinity of the handheld this list size can affect how the operator uses the handheld. See [Example Configuration Scenarios](#)

Format & Resolution Here you can define how the values are displayed on the LCD. There are 7 digits available and you can define where the decimal point is shown by entering numerals where a zero indicates a numeric digit position. When the data is being displayed the number of decimal places you define may be overridden as the display will always show the correct number of integer digits. Example: If you set the format to 000.0000 and the value to display is 1000.1234 the display will show 1000.123
You can also define the resolution, which is the block size of changes to the display. Example: If you enter the format as 000.0005 the display will only change in steps of 0.0005 which can be used to mask noisy digits at high resolutions.

- Zero Indication Band Using this setting you can mask tiny changes in input after you press the Tare button. Entering zero will disable this function. Entering a non-zero value will provide a band within which the display will always read zero. Once the reading exceeds this value the real weight will be displayed as no taring is taking place.
- Example: You are adding boxes to a platform and you press tare between adding each one so you can see the weight of each box. Without this setting activated each time you tare the display will be around zero but not exactly zero (By setting the display resolution you may also hide this difference) by setting a small value here such as 0.2kg the display will show a stable zero while actual weight is fluctuating less than $\pm 0.2\text{kg}$.
- Overload You can enter a limit here above which 'Overload' will be shown on the display instead of the actual value. Applies to the gross input value including any custom scaling. Enter zero to disable this feature.
- Define Transmitters Click the 'Define' button to display the page that allows you to define Transmitters.

Defined Transmitters

These pages will be displayed when at least one Transmitter has been defined or you click the 'Define' button on the page shown when no transmitters are defined (See previous page).

General Tab

Broadweigh Toolkit

Configure Inputs

Current Mode: Inputs have been defined. No groups are defined so handheld will display data from defined transmitters.

You can assign up to 24 inputs simply by specifying the Data Tag of the relevant transmitters.

1 2 3 4 5 6 7 8 9 10 11 12 13 14 15 16 17 18 19 20 21 22 23 24

General Zero Scaling Group Membership

Set the general settings for this input.

Data Tag
4D0B Set the Data Tag for this input. Set to nothing to disable.

Name
Front L Select a name to display when this input is selected. Setting blank will default to 'Inp xx'

Format
000.0 Set the format and resolution of the displayed value for this input.

Overload
1000.0 Set the overload value for this input. 'Overload' will be displayed when exceeded.

Switch Back To Roaming Mode
To operate in roaming mode where the data from any transmitter can be displayed you need to remove all assigned inputs. You can do this manually by setting all Data Tags to nothing or click the button.

Clear All

Help
This page allows you to define up to 24 transmitters as selectable inputs with individual control over format, resolution, and scaling. You can also supply a name to display as each input is selected.
You can optionally define up to 8 summing groups which are displayed instead of the individual inputs. These groups allow any number of inputs to be summed and you also have control over the name, format and scaling of those groups.

• Connected to BW-HA of ID FF36B6 on channel 1 App: 2.5.4 | Drv COM: 2.0 | Drv DLL: 2.7

Here you can adjust the general settings for the selected Transmitter input. Select the required input by clicking the numbered tabs along the top of the page.

Items you can change:

Data Tag By entering a Data Tag you enable this Transmitter Input. Enter zero to disable this input. You can enter Data Tags in any of the 24 available slots. The Next button will just cycle between those entered.

Name As you cycle between available transmitters with the Next key an identifier is shown briefly before the value is displayed. If you enter text here then this will be shown but if you leave this blank the Data Tag will be shown. Some letters cannot be displayed on a 7 segment LCD digit. You cannot use letters M, W or K. Some letters will look alike. i.e. Z and 2. The LCD Preview will show how the entered name will look on the display.

Format	<p>Here you can define how the values are displayed on the LCD. There are 7 digits available and you can define where the decimal point is shown by entering numerals where a zero indicates a numeric digit position.</p> <p>When the data is being displayed the number of decimal places you define may be overridden as the display will always show the correct number of integer digits.</p> <p>Example: If you set the format to 000.0000 and the value to display is 1000.1234 the display will show 1000.123</p> <p>You can also define the resolution, which is the block size of changes to the display.</p> <p>Example: If you enter the format as 000.0005 the display will only change in steps of 0.0005 which can be used to mask noisy digits at high resolutions.</p>
Overload Limit	<p>You can enter a limit here above which 'Overload' will be shown on the display instead of the actual value. Applies to the gross input value including any custom scaling.</p> <p>Enter zero to disable this feature.</p>
Switch Back to Roaming Mode	<p>Click the 'Clear All' button to remove all of the transmitters and group settings to return to the roaming mode with no transmitters defined.</p>



The changes you make are not saved to the handheld until you click on a new input tab or select another page to view.

Broadweigh Toolkit

Configure Inputs

Current Mode: Inputs have been defined. No groups are defined so handheld will display data from defined transmitters.

You can assign up to 24 inputs simply by specifying the Data Tag of the relevant transmitters.

1 2 3 4 5 6 7 8 9 10 11 12 13 14 15 16 17 18 19 20 21 22 23 24

General Zero **Scaling** Group Membership

This allows you to set the zero characteristics for the selected input.

Power On Zero

0.0

If, on turning on the handheld, the value of this input is less than the specified value then it will be zeroed.

Zero Indication Band

0.0

Set a value below which the input will be displayed as zero.

Switch Back To Roaming Mode

To operate in roaming mode where the data from any transmitter can be displayed you need to remove all assigned inputs. You can do this manually by setting all Data Tags to nothing or click the button.

Clear All

Help

This page allows you to define up to 24 transmitters as selectable inputs with individual control over format, resolution, and scaling. You can also supply a name to display as each input is selected.

You can optionally define up to 8 summing groups which are displayed instead of the individual inputs. These groups allow any number of inputs to be summed and you also have control over the name, format and scaling of those groups.

Connected to BW-HA of ID FF36B6 on channel 1 App: 2.5.4 | Drv COM: 2.0 | Drv DLL: 2.7

Here you can configure the zero settings for the selected Transmitter input.

Items you can change:

- | | |
|------------------------------------|--|
| Power On Zero | Here you can determine whether the BW-HA performs automatic zero when it is powered on.
Enter zero to disable this function.
If you enter a non-zero value then when the handheld is first turned on it checks the value read from the transmitter module. If this falls within \pm of this value then the display will be altered so this reads zero. |
| Zero Indication Band | Using this setting you can mask tiny changes in input after you press the Tare button or are close to zero in gross mode.
Entering zero will disable this function.
Entering a non-zero value will provide a band within which the display will always read zero.
Once the reading exceeds this value the real weight will be displayed as no taring is taking place. |
| Switch Back to Roaming Mode | Click the 'Clear All' button to remove all of the transmitters and group settings to return to the roaming mode with no transmitters defined. |

i The changes you make are not saved to the handheld until you click on a new input tab or select another page to view.

Broadweigh Toolkit

Configure Inputs

Current Mode: Inputs have been defined. No groups are defined so handheld will display data from defined transmitters.

You can assign up to 24 inputs simply by specifying the Data Tag of the relevant transmitters.

1 2 3 4 5 6 7 8 9 10 11 12 13 14 15 16 17 18 19 20 21 22 23 24

General Zero **Scaling** Group Membership

You can rescale the value displayed from this input. This can be used to convert between different units for example. If you do not want to use scaling set GAIN to 1 and OFFSET to 0.

Gain The original value from the transmitter will be multiplied by this value.

Offset The specified offset value will be added to the result of the gain multiplication to give the new final value.

Switch Back To Roaming Mode
To operate in roaming mode where the data from any transmitter can be displayed you need to remove all assigned inputs. You can do this manually by setting all Data Tags to nothing or click the button.

Clear All

Connected to BW-HA of ID FF36B6 on channel 1

App: 2.5.4 | Drv COM: 2.0 | Drv DLL: 2.7

Here you can configure the scaling for the selected Transmitter input.

Use the Gain and Offset to manipulate the input value. This can perform quite a few useful functions such as:

Zero an Input – If a particular Transmitter value has a value that you want to remove but do not want to perform a system zero at the transmitter end you can use the Offset to remove that value. Setting the Offset to 10 will remove 10 from the transmitted value.

Convert Units – If the transmitter was calibrated in kg and you wish to display the value in lbs you can set a Gain of 2.20462 and an Offset of 0.0

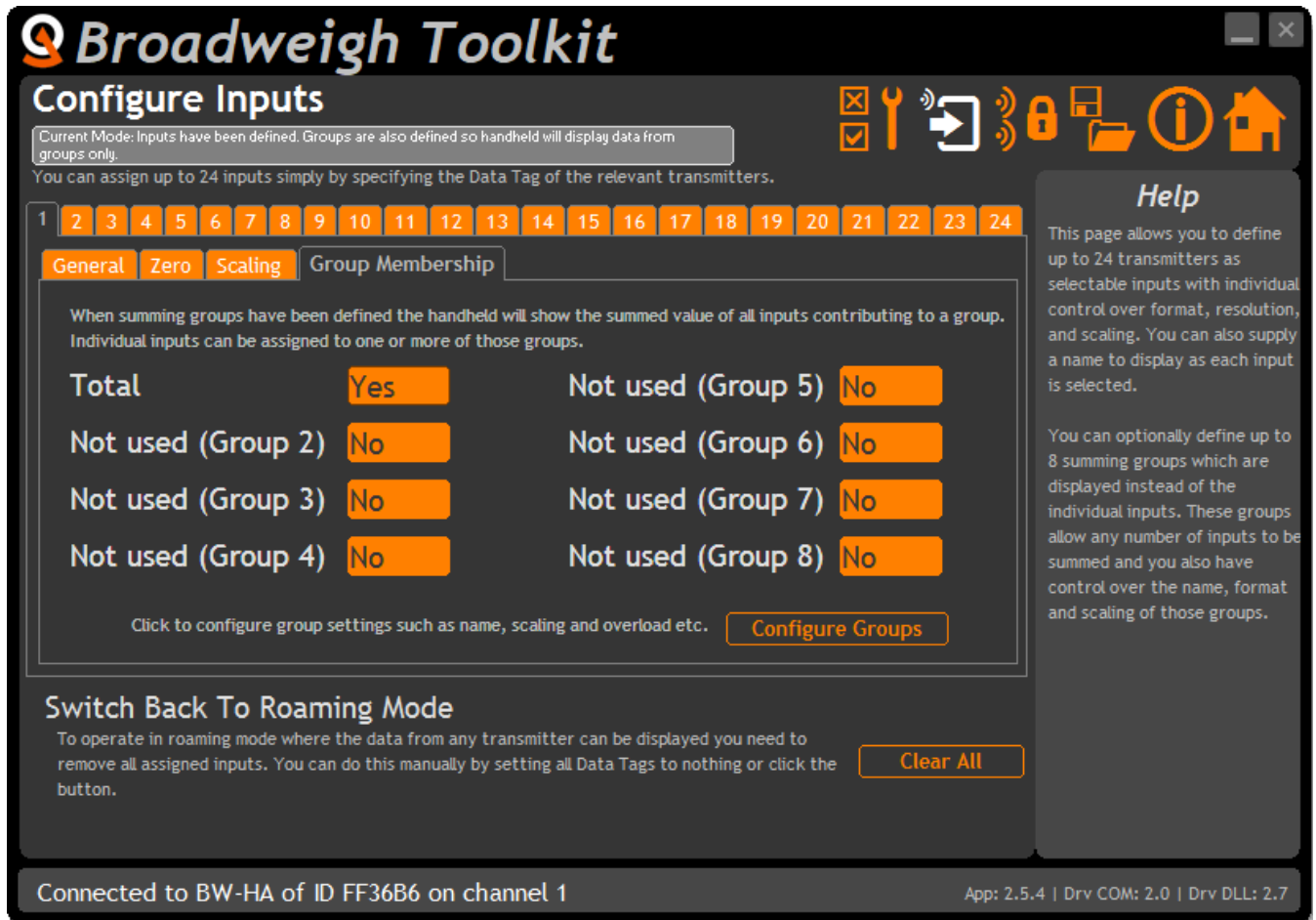
Change Polarity – If the Transmitted value was negative but you wanted to display a positive value set the Gain to -1.0 and the Offset to 0.0



$$\text{Actual Displayed Value} = \text{Transmitted Value} * \text{Gain} - \text{Offset}$$

Items you can change:

Gain	This value will be multiplied by the transmitted value to provide the actual displayed value. The default is 1.0
Offset	This offset will be applied to the transmitted value (After gain is applied) to provide the actual displayed value. The default is 0.0
Switch Back to Roaming Mode	Click the 'Clear All' button to remove all of the transmitters and group settings to return to the roaming mode with no transmitters defined.

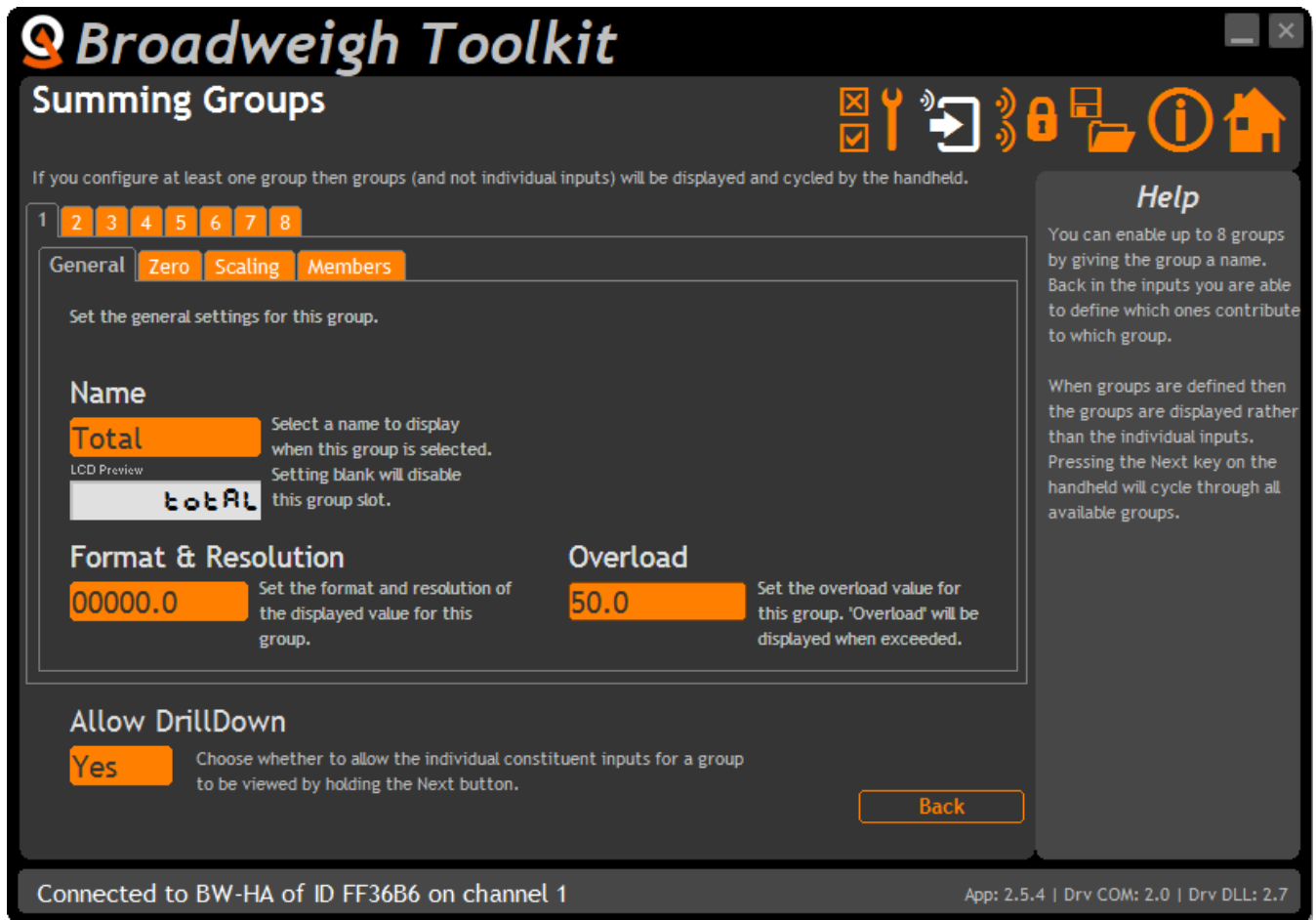


Here you can assign the selected Transmitter input to belong to any of the Summing Groups.

Items you can change:

- 8 Available Summing Groups The 8 available Summing Groups are shown here regardless of whether a group has been defined or not. Simply select Yes or No to indicate whether this Transmitter Input will contribute to that group's total value.
- Configure Groups Button Clicking this button will open the [Summing Groups](#) page.
- Switch Back to Roaming Mode Click the 'Clear All' button to remove all of the transmitters and group settings to return to the roaming mode with no transmitters defined.

i The changes you make are not saved to the handheld until you click on a new input tab or select another page to view.



Here you can configure general settings for the selected Summing Group. Select the group by clicking the numbered tabs along the top of the page.

! As soon as at least one Summing Group has been enabled (By naming it) then the handheld will only cycle through the Summing Groups instead of the individual inputs. The values shown will be the sum of all the individual inputs that are members of that group.

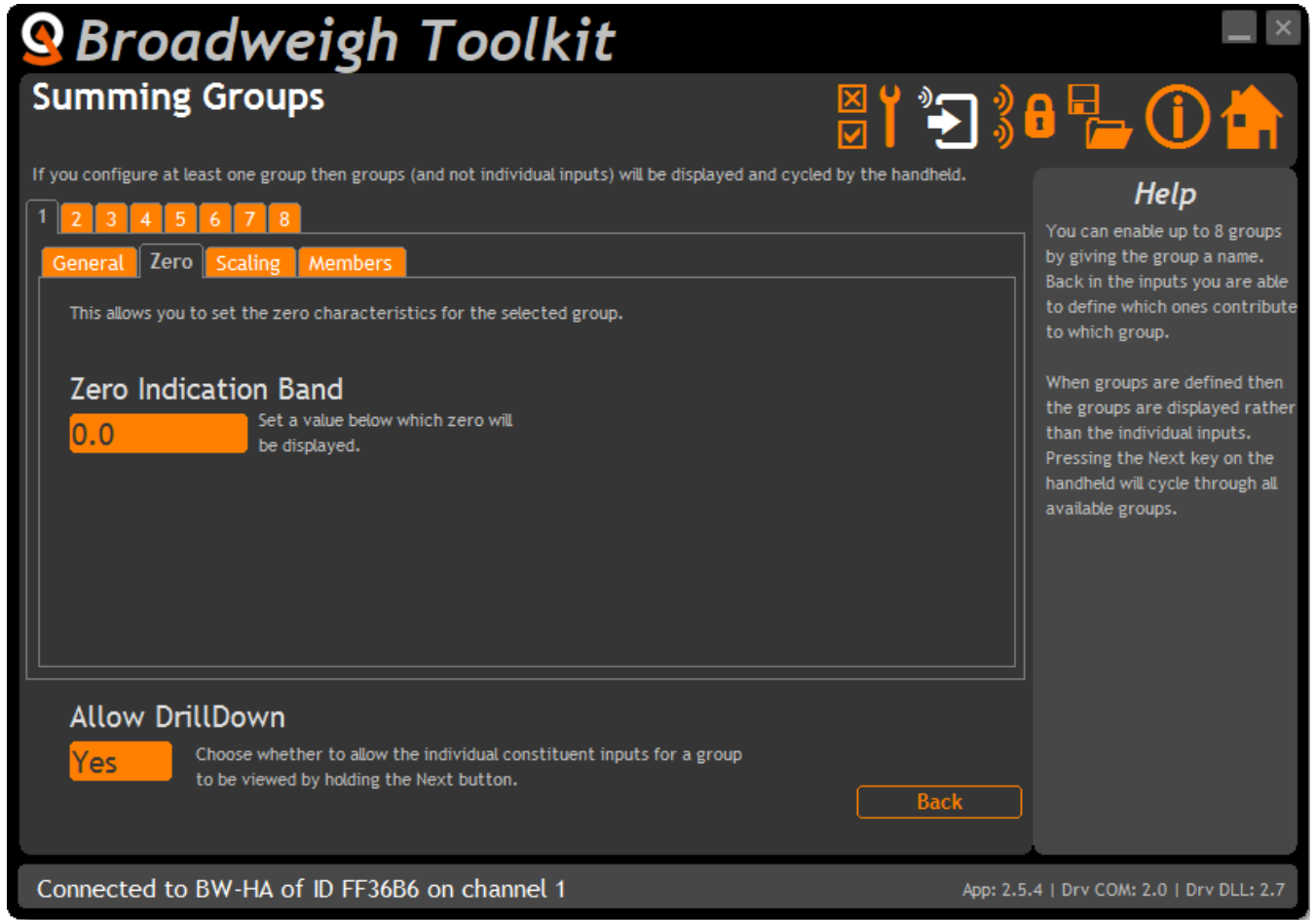
Items you can change:

Name Summing Groups are enabled by giving them a name. Leave the name blank to disable the selected group. As you cycle between group totals with the Next key an identifier is shown briefly before the total is displayed. Some letters cannot be displayed on a 7 segment LCD digit. You cannot use letters M, W or K. Some letters will look alike. i.e. Z and 2. The LCD Preview will show how the entered name will look on the display.

Format & Resolution	<p>Here you can define how the values are displayed on the LCD. There are 7 digits available and you can define where the decimal point is shown by entering numerals where a zero indicates a numeric digit position.</p> <p>When the data is being displayed the number of decimal places you define may be overridden as the display will always show the correct number of integer digits.</p> <p>Example: If you set the format to 000.0000 and the value to display is 1000.1234 the display will show 1000.123</p> <p>You can also define the resolution, which is the block size of changes to the display.</p> <p>Example: If you enter the format as 000.0005 the display will only change in steps of 0.0005 which can be used to mask noisy digits at high resolutions.</p>
Overload	<p>You can enter a limit here above which 'Overload' will be shown on the display instead of the actual value. Applies to the gross input value including any custom scaling.</p> <p>Enter zero to disable this feature.</p>
Allow Drilldown	<p>When at least one Summing Group has been named the Next key will cycle through group totals rather than individual inputs.</p> <p>If you allow drilldown then holding the Next key for a long press will start to display the individual inputs that are members of the group. Each press of the Next key will show the next input in the group. After the last input has been shown the display will revert back to displaying the groups again.</p>
Back Button	<p>Click the 'Back' button to display the Transmitter Inputs pages again.</p>



The changes you make are not saved to the handheld until you click on a new input tab or select another page to view.



Here you can adjust the zero of the selected summing group.

Items you can change:

- | | |
|----------------------|--|
| Zero Indication Band | Using this setting you can mask tiny changes in input after you press the Tare button. Entering zero will disable this function. Entering a non-zero value will provide a band within which the display will always read zero. Once the reading exceeds this value the real weight will be displayed as no taring is taking place. |
| Allow Drilldown | When at least one Summing Group has been named the Next key will cycle through group totals rather than individual inputs. If you allow drilldown then holding the Next key for a long press will start to display the individual inputs that are members of the group. Each press of the Next key will show the next input in the group. After the last input has been shown the display will revert back to displaying the groups again. |
| Back Button | Click the 'Back' button to display the Transmitter Inputs pages again. |

Broadweigh Toolkit

Summing Groups

If you configure at least one group then groups (and not individual inputs) will be displayed and cycled by the handheld.

1 2 3 4 5 6 7 8

General Zero **Scaling** Members

You can rescale the value displayed from this group. This can be used to convert between different units for example. If you do not want to use scaling set GAIN to 1 and OFFSET to 0.

Gain 1.0 The original value from the group will be multiplied by this value.

Offset 0.0 The specified offset value will be added to the result of the gain multiplication to give the new final value for the group.

Allow DrillDown Yes Choose whether to allow the individual constituent inputs for a group to be viewed by holding the Next button.

Back

Connected to BW-HA of ID FF36B6 on channel 1 App: 2.5.4 | Drv COM: 2.0 | Drv DLL: 2.7

Here you can configure the scaling for the selected Summing Group.

Use the Gain and Offset to manipulate the summing groups value. This can perform quite a few useful functions such as:

Zero a Sum – If the sum of the Transmitters have has a value that you want to remove but do not want to perform a system zero at each of the transmitters you can use the Offset to remove that value. Setting the Offset to 10 will remove 10 from the sum for example.

Convert Units – If the transmitters were calibrated in kg and you wish to display the sum in lbs you can set a Gain of 2.20462 and an Offset of 0.0

Change Polarity – If the sum value is negative but you want to display a positive value set the Gain to -1.0 and the Offset to 0.0



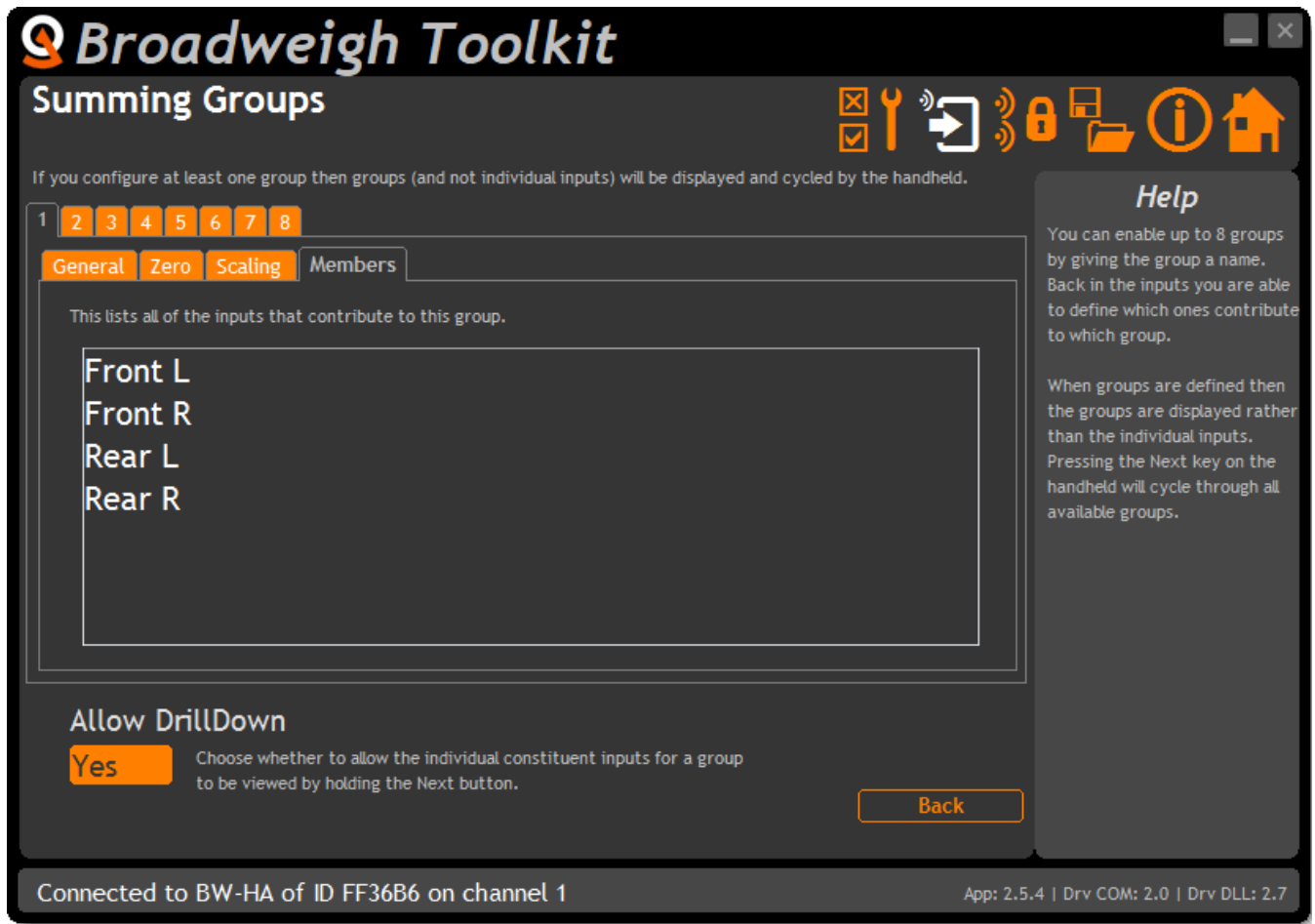
Actual Displayed Value = Transmitted Values Sum * Gain - Offset

Items you can change:

Gain This value will be multiplied by the transmitted sum value to provide the actual displayed value. The default is 1.0

Offset This offset will be applied to the transmitted sum value (After gain is applied) to provide the actual displayed value. The default is 0.0

- Allow Drilldown When at least one Summing Group has been named the Next key will cycle through group totals rather than individual inputs.
If you allow drilldown then holding the Next key for a long press will start to display the individual inputs that are members of the group. Each press of the Next key will show the next input in the group. After the last input has been shown the display will revert back to displaying the groups again.
- Back Button Click the 'Back' button to display the Transmitter Inputs pages again.



Here you can see a list of inputs that are members of the selected Summing Group and whose transmitted values are summed to create the value displayed by the group. The list will display the name of the input or the Data Tag if no name is assigned.

Items you can change:

Allow Drilldown When at least one Summing Group has been enabled, by entering a Name, the Next key will cycle through the Summing Group totals rather than individual inputs. If you allow drilldown then holding the Next key for a long press will start to display the individual inputs that are members of the group. Each press of the Next key will show the next input in the group. After the last input has been shown the display will revert back to displaying the groups again.

Back Button Click the 'Back' button to display the Transmitter Inputs pages again.

Example Configuration Scenarios

Examples Using No Defined Transmitter List (Roaming Mode)

The following examples show scenarios where it would be impractical to define each available transmitter because either there are more than 24 transmitters or the transmitters available may change and re-configuration of the handheld is undesirable.

So for these examples the handheld has no Transmitter Inputs defined and therefore operates in 'Roaming' mode where it can display the value from any transmitter on the same radio channel and Group Key. The Sleep Delays of the shackles are set to 30 seconds as in this mode the handheld will wake the shackles but not send them to sleep.

Festival Site

A festival site has several stages all with less than 24 Broadweigh shackles all set to the same radio channel and group key. The chief rigger for the site can go between stages and pick up the nearest 24 shackles with one handheld. They can then move on to the next stage and monitor the loads there.

Tent Guy Wires

A large tent has shackles attached to the guy wires. Each shackle has its LED visible so when the handheld is displaying the value from a particular guy wire the operator has visual feedback of the selected wire. Because the operator needs to physically inspect each wire he needs to approach each one individually. By using a Set Size of 1 on the handheld, each press of the Next key will effectively select the shackle with the highest transmission signal level so as the operator approaches each guy wire and presses the Next key he would see the LED light on the nearest wire's shackle and therefore know he was looking at the reading for the correct wire without having to pay attention to the displayed Data Tag.

Example of Defined Transmitter List

Single Transmitter

The Data Tag of a Wind Speed Sensor is defined as the only Input. Now when the handheld is turned on the Wind Speed Sensor is woken up and the operator can read the current wind speed. When the handheld is turned off the Wind Speed Sensor is also sent to sleep to conserve the battery.

Multiple Transmitters

A PA company has four speaker clusters suspended from Broadweigh shackles to be monitored from one handset. The Data Tags from each shackle are defined in the Input List. The Inputs are named as PA L, PA R, Delay 1 and Delay 2 so that as the operator clicks the Next key he can see which cluster he is monitoring. A long press on the Next key shows the name of the currently viewed shackle without moving to the next one.

Example of Summing Groups

Alternative Units

A truss is suspended from two Broadweigh shackles and the operator wants to view the total load in both tonnes and lbs. The shackles are calibrated in lbs.

First, each shackle is added to the defined list of Inputs by entering its Data Tag.

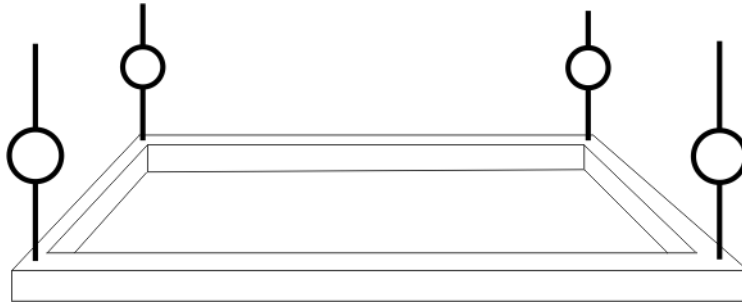
Next, a Summing Group is defined with the name lbs and both inputs are assigned as members of this group.

Another Summing Group is defined with the name tonnes and both inputs are assigned as members of this group as well. To achieve the unit conversion the scaling of the tonnes group is configured to convert lbs to tonnes so the Gain is set to 0.000453592

Now, when the handheld is turned on, both shackles are woken and the sum in lbs is displayed. By clicking the Next key the operator can switch between displaying lbs and tonnes. A long press of the Next key will display the name of the group and hence the units being displayed.

Grouping Sums

A suspended box truss has a shackle fitted to each corner and the handheld is used to monitor various aspects of its loading.



The operator wants to know total weight and also how the box truss is balanced so the handheld is going to display Summing Groups

First we would assign the four shackles to the inputs by defining their Data Tags.



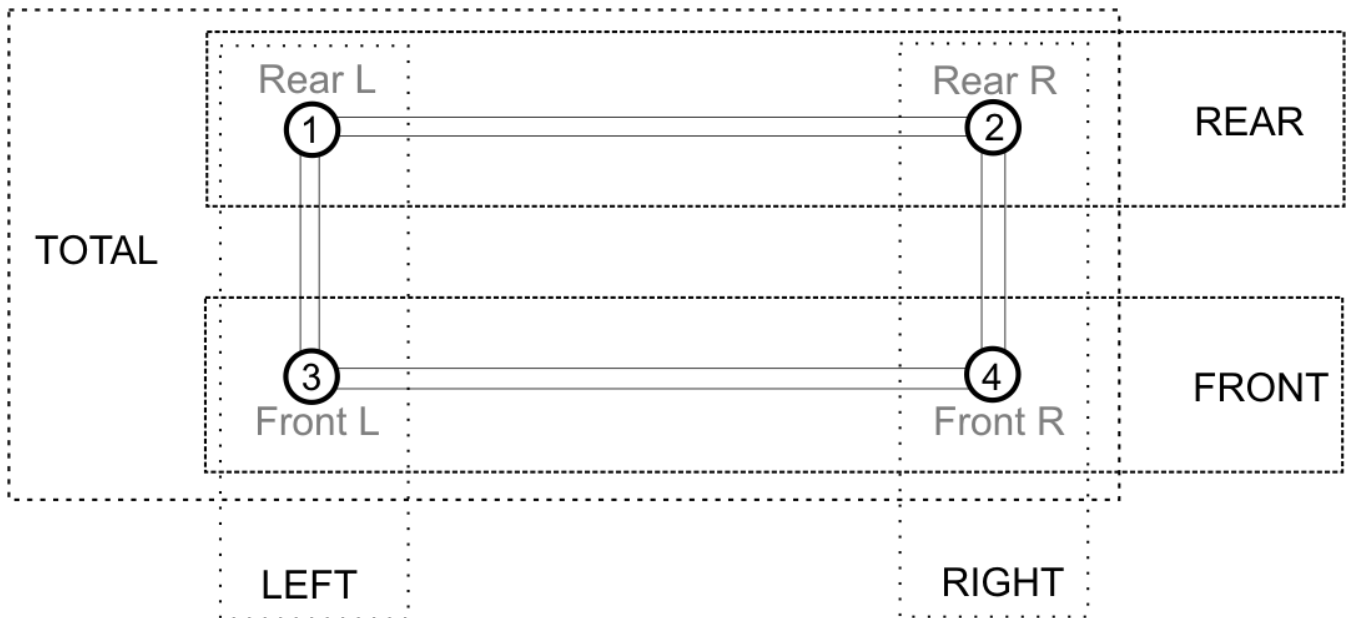
The inputs are named as follows:

- 1 Rear L
- 2 Rear R
- 3 Front L
- 4 Front R

If we did not assign Summing Groups at this point then the handheld would just cycle around these four inputs as the Next key is pressed.

However, we would like to know the total weight and also see how the box truss is balanced left to right and also front to rear so we will add five Summing Groups as follows.

- Assign the name Total to Summing Group 1
- Assign the name Rear to Summing Group 2
- Assign the name Front to Summing Group 3
- Assign the name Left to Summing Group 4
- Assign the name Right to Summing Group 5



Now we need to assign the appropriate input to membership of the groups. So by going back to look at each defined input we simply assign the following inputs to each group.

- Input 1 Rear L is assigned to group Total, Rear and Left
- Input 2 Rear R is assigned to group Total, Rear and Right
- Input 3 Front L is assigned to group Total, Front and Left
- Input 4 Front R is assigned to group Total, Front and Right

Now when the handheld is turned on it will be displaying group Total and the operator will see the total weight of the box truss. Pressing the Next key will then display Rear, Front, Left then Right totals before cycling back to displaying the Total.

If we allowed Drilling Down then a long press while viewing any of the group totals will allow the constituent inputs to be viewed one after another before returning to the groups again.

Enclosure & Mounting

See [Appendix A – A Style](#) section for more information.

Antennas

These modules have the antenna already fitted inside the enclosure so there are no specific mounting requirements.

Specification

Electrical	Min	Typical	Max	Units
Power Supply voltage	2.3	3.0	3.6	Vdc

Power Supply	Min	Typical	Max	Units
Active		40	55	mA
Low power mode		5	20	µA
Estimated Battery life using Energizer L91 AA batteries:				
Standby mode (Powered off)		>5		Years
Continuous operation		54		Hours

Environmental	Min	Typical	Max	Units
IP rating		IP67		
Operating Temperature Range	-10		+50	C
Storage Temperature	-40		+85	C
Humidity	0		95	%RH

Physical				
Hand Held Dimensions	90 mm x 152 mm x 34 mm			

Radio Range

To determine radio range please refer to [Appendix B – Antenna Range](#)

BW-RM1

Overview

The BW-RM1 offers dual power relays capable of mains power switching. These relays can be configured as high, low or window alarms and can be associated with a group of up to 8 Broadweigh transmitter modules per relay. Relays can operate when the sum of the assigned transmitter modules reach a set point or when any of the modules reach the set point. There is also a mode where the difference between the lowest and highest value is compared to the set point. This is useful for applications where you are looking for a group of weights to be within a certain band. i.e. hanging truss.

Relays can be latched and a digital input or external command can be used to reset them.

An alarm/error signal relay is operated if communication is lost or other selectable errors occur and this alarm resets once the source of the alarm or error is removed.

This module is supplied in an IP67 sealed ABS case.

The state of the power relays during an error can be selected.

Order Codes

BW-RM1



Relay module housed in weatherproof enclosure.

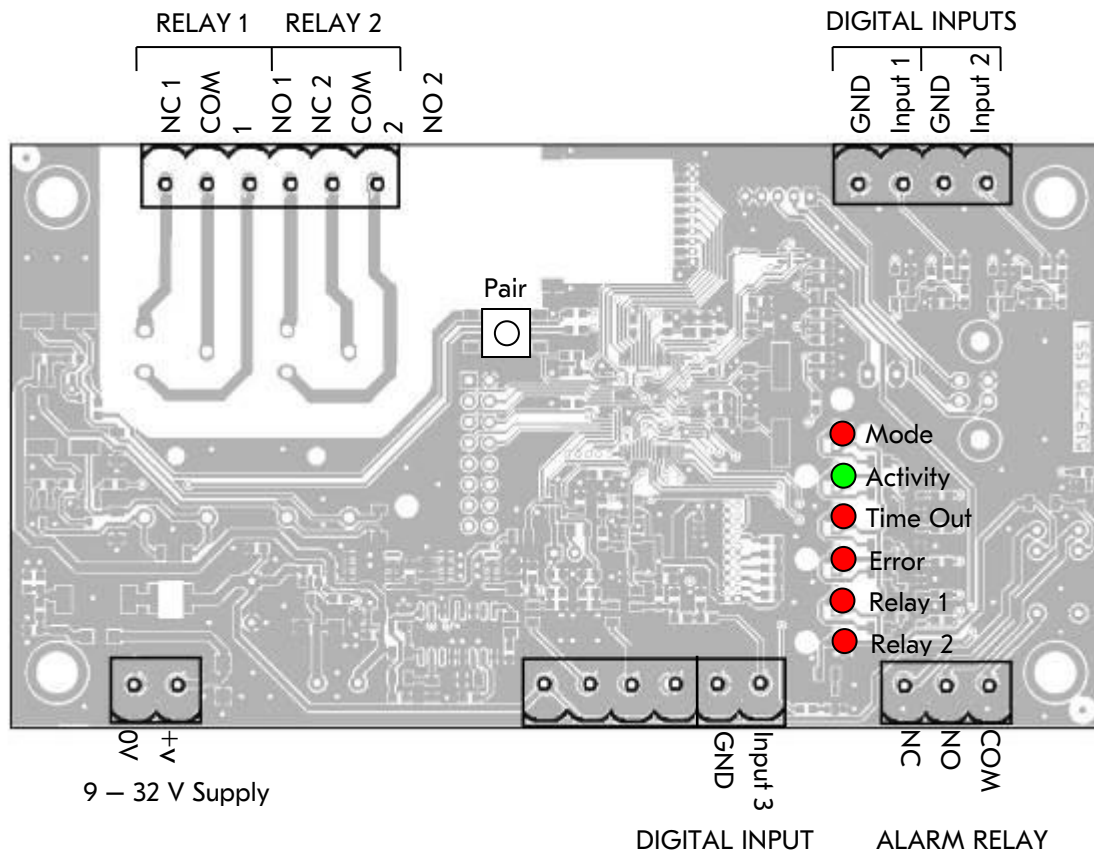
Connections

Power

You will need to connect power to the BW-RM1 for it to operate. Only power is required to enable configuration using a base station and the appropriate toolkit software.

Power is connected to the two part two way screw terminal connector as shown in the diagram below.

Connections & Indicators



LEDs

Mode	Flashes 2 x per second when operational
Activity	Flashes when Broadweigh data packets are received
Time Out	No Broadweigh data present for longer than user defined period
Error	One or more contributing modules are reporting an error
Relay 1	Relay 1 Energised (Connection between COM and NO)
Relay 2	Relay 2 Energised (Connection between COM and NO)

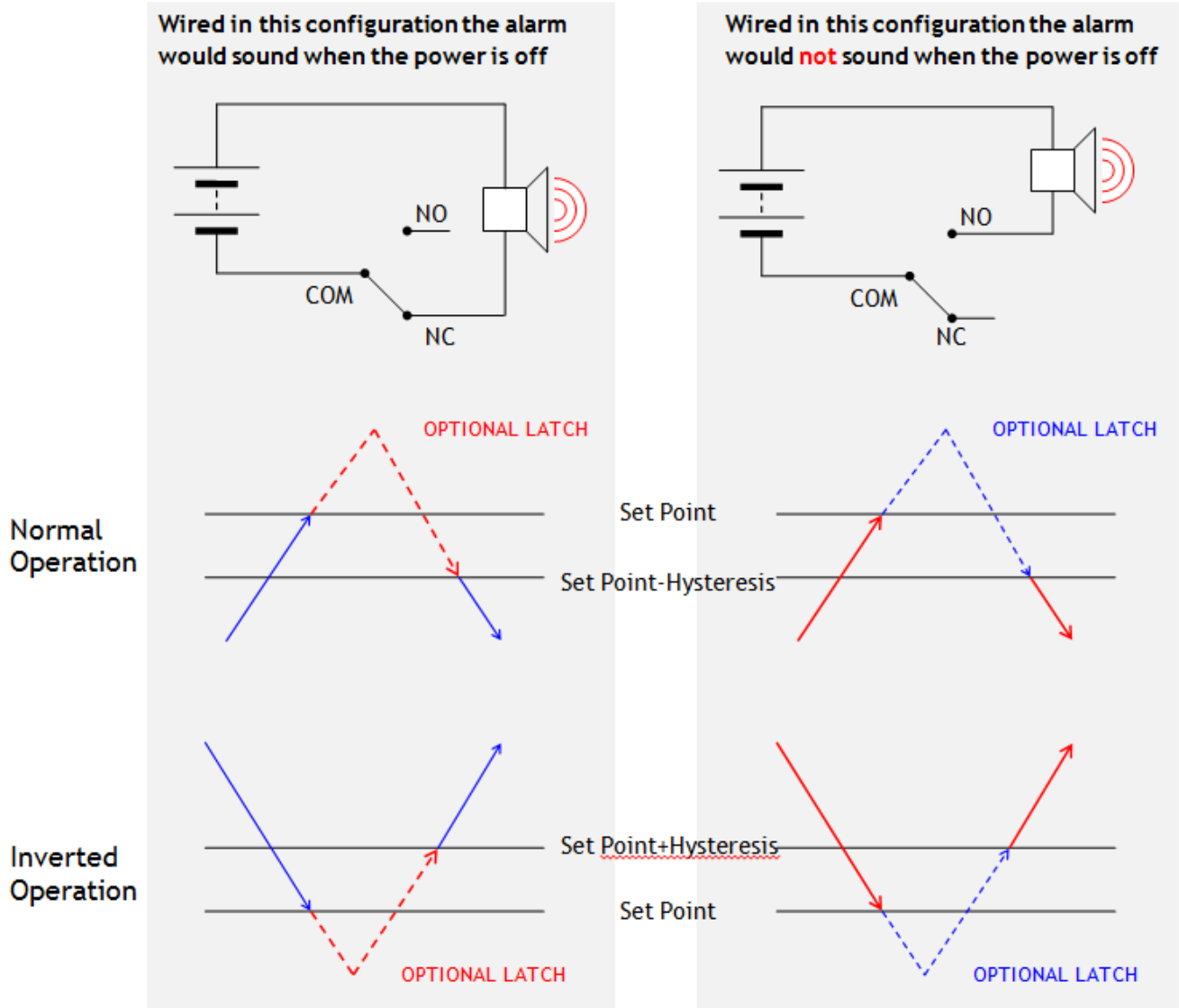
Inputs

Digital Input 1	Can either reset a latched relay 1 or transmit a Data Provider Packet of a specified Data Tag
Digital Input 2	Can either reset a latched relay 2 or transmit a Data Provider Packet of a specified Data Tag
Digital Input 3	Resets both latched relays

Operation

The Broadweigh RM1 can accept 8 Broadweigh data inputs for each of the two relays, the total of the inputs compared to the set point and mode of the relay channel affects whether the relay is energised or not. In addition when considering the use of relays attention should be paid as to what state the system will be in when the power is off and the relays are de-energised. The diagram below outlines how wiring and normal and inverse modes influence the state of relays.

(COM = Common, NO = Normally Open, NC = Normally Closed)



KEY:

↗	Increasing Value	——	Relay Energised	——	Alarm Activated
↘	Decreasing Value	-----	Relay Unenergised	——	Alarm Deactivated

Relays can change state due to the following events:

- Arrival of Broadweigh data from user defined Broadweigh module that causes the relay output to trigger.
- Triggering of digital input 1 or 2 (switch input) which if configured reset latched relays
- Arrival of data from a specified data tag can reset latched relays.
- A change in error state of a module specified in a relays list of inputs

The BW-RM1 also features a third Alarm relay. The Alarm relay is energised from start up, (alarm connection made between COM and NC). The relay de-energises if an error is detected. An error is classed as a timeout and optionally can include Integrity error or low Battery. The Alarm Relay will return to normal (energised) once the source of the error is removed.

Configuration

The Broadweigh Toolkit provides a means of simple configuration of the module along with useful tools to aid integration.

Launch the Broadweigh Toolkit software application and pair to this module to enable the connection to the Toolkit to allow configuration to take place. [See Common Toolkit Pages - Home](#)

Input Settings

Broadweigh Toolkit
Input Settings

Here you can define a set of up to 8 data tags that will supply data for each relay. Click the 'P' buttons to pair to a module or enter the data tag manually. Click the 'X' button to zero the data tag entry and ignore that item.

Relay 1
'Sum' Mode
The values from the Data Tag set will be summed and the total used to compare to the setpoint.

Data Tag	Data Tag
1 0000 P X	5 0000 P X
2 0000 P X	6 0000 P X
3 0000 P X	7 0000 P X
4 0000 P X	8 0000 P X

Zero Offset
Enter an offset which will be subtracted from the summed inputs above before being compared to the setpoints.
0.0

Input Total
These displays show the input value that is used to compare against the setpoints.
0.0

Relay 2
'Sum' Mode
The values from the Data Tag set will be summed and the total used to compare to the setpoint.

Data Tag	Data Tag
1 0000 P X	5 0000 P X
2 0000 P X	6 0000 P X
3 0000 P X	7 0000 P X
4 0000 P X	8 0000 P X

Zero Offset
Enter an offset which will be subtracted from the summed inputs above before being compared to the setpoints.
0.0

Input Total
These displays show the input value that is used to compare against the setpoints.
0.0

Help
Each relay can operate on the sum of up to eight data providers. This page is where you define those inputs by specifying the Data Tags of the modules providing the data. An offset may be applied to zero the input sums to make calculating setpoints easier.

Connected to BW-RM1 of ID FF7F15 on channel 1
App: 2.0.0 | Drv COM: 1.7 | Drv DLL: 2.6

Here you can set the Data Tags of the data used as the inputs.

The description below the 'Relay1' and 'Relay2' captions indicate the way in which the values from the Data Tags will be used to compare against the setpoint to determine whether the relay will activate.

See the Relay Operation Settings section for details.

Items you can change:

Relay 1 Data Tag [1-8]

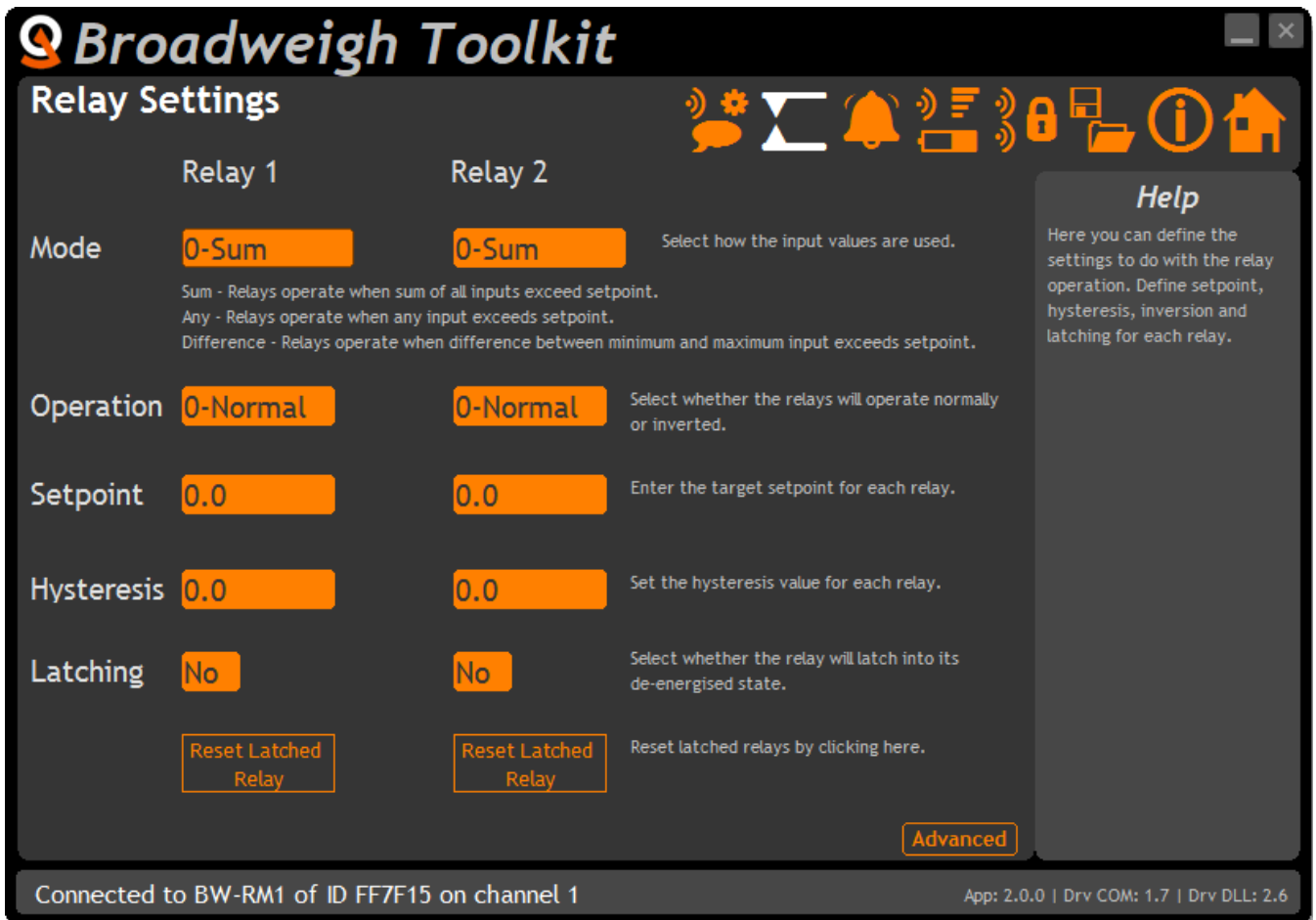
Enter up to eight Data Tags the data from which will be used to determine the value compared to the set point to control relay 1.

Relay 2 Data Tag [1-8]

Enter up to eight Data Tags the data from which will be used to determine the value compared to the set point to control relay 2.

Zero Offset [1-2]

This value will be subtracted from the total of the summed data from the data tags for Relay 1 and Relay 2. Only used in Sum mode.

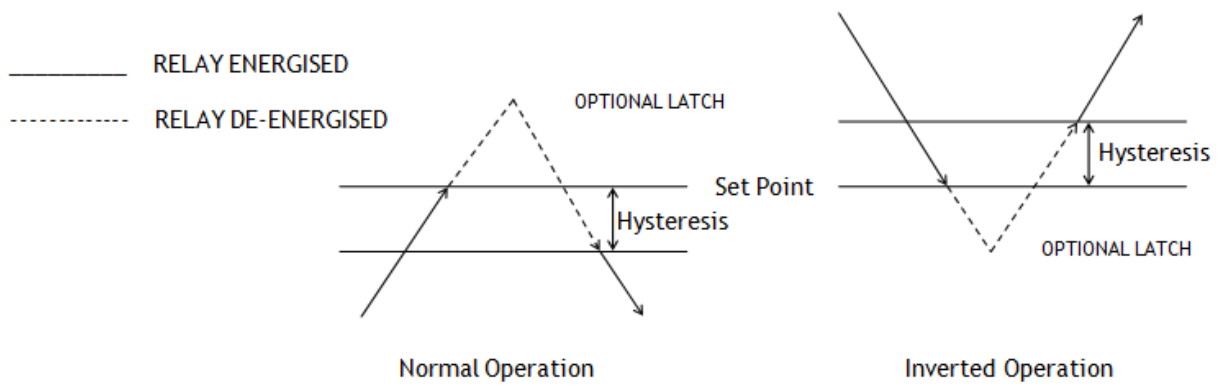


Here you can change various settings that influence the operation of the individual relays.

Items you can change:

- | | |
|------------------|---|
| Mode [1-2] | This setting determines how the Data Tag values are used to compare against the setpoint. This is only available in firmware versions 2.0 and above. Previous versions will operate only in 'Sum' mode. <ul style="list-style-type: none"> • Sum – The values of the defined Data Tags are summed and this summed total is compared to the setpoint. • Any – The Data Tag with the highest value is compared to the setpoint. i.e. If any of the individual transmitter modules exceed the setpoint. • Difference - The difference between the lowest and highest values of all the Data Tags is calculated and this difference (Which is absolute i.e. always positive) compared to the setpoint. |
| Operation [1-2] | Whether set to normal or inverse decides how the relay state corresponds to the set point and hysteresis. (See diagram on next page) |
| Setpoint [1-2] | The Set Point is the level at which the relay state will change, see below. |
| Hysteresis [1-2] | This value sets an offset between when the relay is energised and de-energised creating a de-bounce for the relay. (See diagram on next page) |
| Latching [1-2] | Latching locks the state of the relay when it passes the set point. |
| Advanced Button | Displays the Relay Settings Advanced page. |

Operation and Hysteresis Settings



Relay de-energises when reaching the set point.

Relay Settings Advanced

Here you can change various settings that influence the operation of the individual relays.

Items you can change:

Relay Reset Data Tag [1-2]

Enter a Data Tag that on receipt will reset the latched relay. Enter zero to disable this feature. Only useful if custom software or modules are utilised.

Waker Duration

Enter zero to disable this feature.

Enter a time in milliseconds for this module to attempt to wake transmitter modules when first powered up. The default is 12000 milliseconds (12 seconds). All modules on the same radio channel and sharing the same Group key will be woken when the relay module powers up when this function is enabled.

Transmitter modules will be kept awake while this module has power applied.

The transmitter modules should have a Sleep Delay set so that after the relay module has been powered down the transmitter modules then return to sleep.

Alarm Settings

Broadweigh Toolkit

Alarm Settings

	Relay 1	Relay 2
Timeout (s)	001	001
Error Mode	0-Timeout	
Error Action	0-Hold Last State	0-Hold Last State
Digital Input Action	0000	0000

Help
Here you can define the settings relating to alarms, errors and the functionality of the digital inputs.

Connected to BW-RM1 of ID FF7F15 on channel 1 | App: 2.0.0 | Drv COM: 1.7 | Drv DLL: 2.6

This page defines how the individual relays will react to time outs and errors present from any defined Broadweigh module, as well as how Digital inputs 1 and 2 are used.

Items you can change:

- | | |
|-----------------|--|
| Timeout | Enter a time in seconds that if exceeded the BW-RM1 will affect the relay state according to the error action, as well as set the alarm relay and light the time out LED |
| Error Mode | The error mode defines what causes the alarm relay and individual error action to be triggered. Errors can be defined as <ul style="list-style-type: none"> • Time out • Time out or Low Battery • Time out or Low Battery or Integrity Error |
| Error Action | For each relay the action upon error detection can be defined as ; <ul style="list-style-type: none"> • Hold Last State • De-Energise Relay • Energise Relay |
| Digital Input 1 | Digital input 1 can be used to either <ul style="list-style-type: none"> • Reset Relay 1 from its latched state • Transmit a data provider with user defined data tag containing the total of the |

inputs of Relay 1

Digital Input 2

Digital input 2 can be used to either

- Reset Relay 2 from its latched state
- Transmit a data provider with user defined data tag containing the total of the inputs of Relay 2

Enclosure & Mounting

This module is fitted inside our large, ACM ABS enclosure. Please see [Appendix A – B Style](#) for more information and optional mounting.

Antennas

These modules have the antenna already fitted inside the enclosure so there are no specific mounting requirements.

Specification

	Min	Typical	Max	Units
PSU	9	-	32	Vdc
Operational Current All Relays Active		155*		mA
Operational Temperature Range	-10		60	°C
Storage Temperature Range	-40		70	°C
Power Relays		240 V 5 A		
Alarm Relay		1 A 24 Vdc	1 A 120 Vac	

* At 12 V nominal Supply

Radio Range

For details of radio range please refer to [Appendix B – Radio Range](#)

BW-WM1

Overview

The BW-WM1 offers three 'traffic light' indicators that can be used to warn operators of user definable statuses in the Broadweigh system.

The green indicator shows when data is being received from up to 16 configured transmitter modules (or a single combined status of up to 100 transmitters from the Log100 software) while an amber and red indicator can be configured to activate under user defined conditions with each having up to 8 individual transmitters assigned to each.

The criteria used to activate indicators is under full user control and can be configured for when the sum of the assigned transmitter modules reaches a set point or when any of the modules reach the set point. There is also a mode where the difference between the lowest and highest value is compared to the set point. This is useful for applications where you are looking for a group of weights to be within a certain band. i.e. hanging truss. Indicators can be latched and a digital input or external command can be used to reset them.

The green indicator will deactivate if communication is lost or other selectable errors occur and this will activate again once the source of the alarm or error is removed.

This module is supplied in an IP67 sealed ABS case.

The state of the indicators during an error can be selected.

There is also a simple Log100 Mode offered for when the module is used with a suitable plugin for the Log100 software. In this mode there is only one thing to configure and the green indicator shows when data is being correctly received from both Log100 and all transmitters configured in Log100. i.e. the green indicator will deactivate if data stops arriving from Log100 or any of the transmitters configured in Log100 stop transmitting. The amber indicator activates when any Log100 display channel reaches the warning level and the red indicator activates when any display channel is under or over range.

Order Codes

BW-WM1



Warning module housed in weatherproof enclosure.

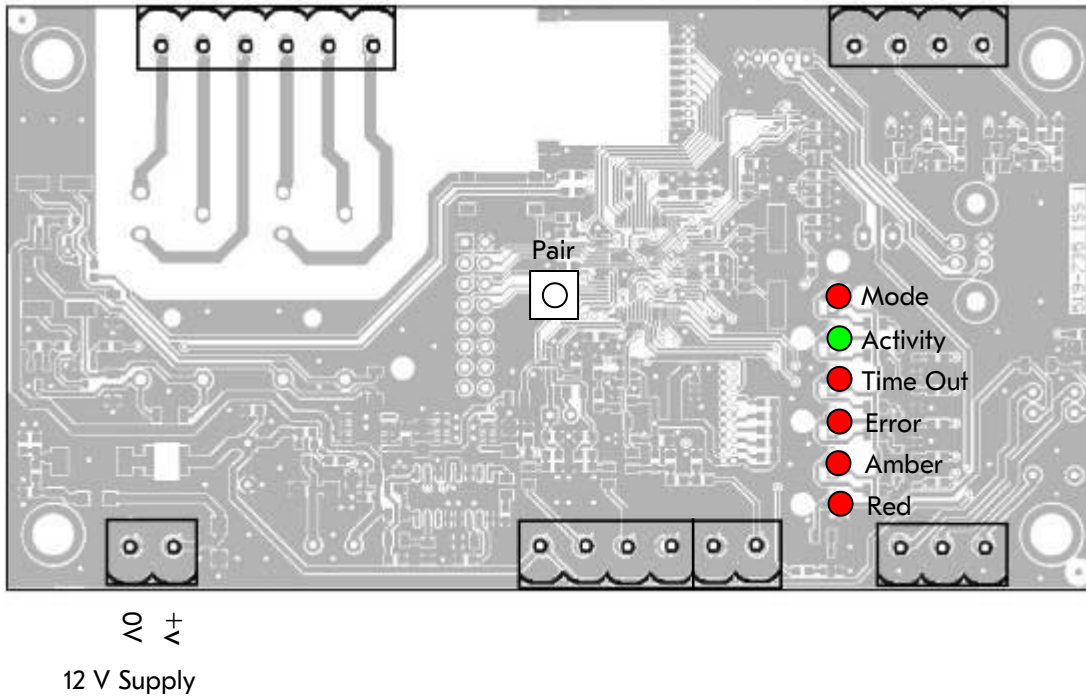
Connections

Power

You will need to connect power to the BW-WM1 for it to operate. Only power is required to enable configuration using a base station and the appropriate toolkit software.

Power is connected to the two part two way screw terminal connector as shown in the diagram below.

Connections & Indicators



LEDs

Mode	Flashes 2 x per second when operational
Activity	Flashes when Broadweigh data packets are received
Time Out	No Broadweigh data present for longer than user defined period
Error	One or more contributing modules are reporting an error
Amber	Indicator Amber Active
Red	Indicator Red Active

Inputs

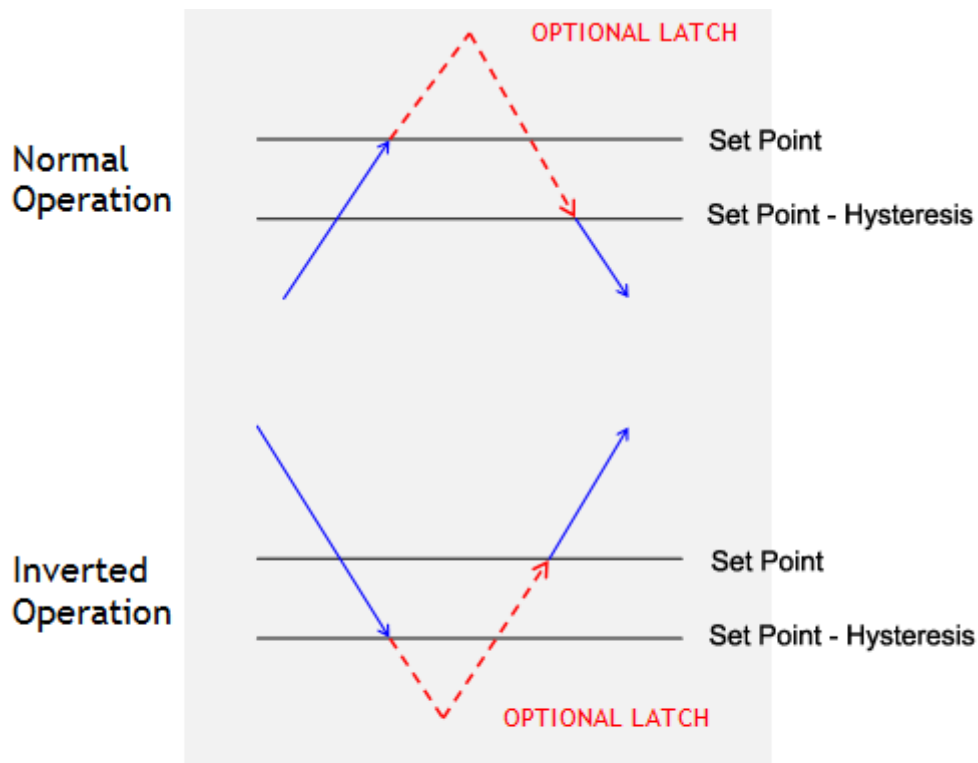
(Not used in Log100 Mode)

Digital Input 1	Can either reset a latched indicator 1 or transmit a Data Provider Packet of a specified Data Tag
Digital Input 2	Can either reset a latched indicator 2 or transmit a Data Provider Packet of a specified Data Tag
Digital Input 3	Resets both latched indicators

Operation

(In Advanced Mode only)

The Broadweigh WM1 can accept 8 Broadweigh data inputs for each of the two indicators, the total of the inputs compared to the set point and mode of the indicator channel affects whether the indicator is activated or not. In addition there is detailed control over hysteresis, latching and inverted operation which could be useful under some circumstances.



KEY:

- ↗ Increasing Value
- ↘ Decreasing Value
- Indicator Active
- Indicator InActive

Alarm

The BW-WM1 also features a third Alarm indicator which is an audible alarm which will sound when the red indicator is activated.

This can be deactivated by removing the module lid and disconnecting the brown wire from the floating two wire connector. The exposed end of the brown wire should be insulated with tape so it does not touch any other part of the circuit board.



The floating two wire connector showing the brown and grey wires fully inserted and locked.



To remove or refit a wire simply lift the orange arm to release the internal clamp.

Configuration

The Broadweigh Toolkit provides a means of simple configuration of the module along with useful tools to aid integration.

Launch the Broadweigh Toolkit software application and pair to this module to enable the connection to the Toolkit to allow configuration to take place. [See Common Toolkit Pages - Home](#)

Advanced Mode

This mode is used when you want full control over the configuration of the module. There is a simple Log100 Mode available for use with the Log100 software.

Input Settings

Broadweigh Toolkit

Input Settings

Here you can define a set of up to 8 data tags that will supply data for each indicator. Click the 'P' buttons to pair to a module or enter the data tag manually. Click the 'X' button to zero the data tag entry and ignore that item.

Warning Indicator

'Sum' Mode
The values from the Data Tag set will be summed and the total used to compare to the setpoint.

Data Tag	Data Tag
1 BBBB P X	5 0000 P X
2 0000 P X	6 0000 P X
3 0000 P X	7 0000 P X
4 0000 P X	8 0000 P X

Zero Offset
Enter an offset which will be subtracted from the summed inputs above before being compared to the setpoints.

0.0

Input Total
These displays show the input value that is used to compare against the setpoints.

0.0

Alarm Indicator

'Sum' Mode
The values from the Data Tag set will be summed and the total used to compare to the setpoint.

Data Tag	Data Tag
1 BBBB P X	5 0000 P X
2 0000 P X	6 0000 P X
3 0000 P X	7 0000 P X
4 0000 P X	8 0000 P X

Zero Offset
Enter an offset which will be subtracted from the summed inputs above before being compared to the setpoints.

0.0

Use With Log100

Help

Each indicator can operate on the sum of up to eight data providers. This page is where you define those inputs by specifying the Data Tags of the modules providing the data. An offset may be applied to zero the input sums to make calculating setpoints easier.

Connected to BW-WM1 of ID FDBB67 on channel 1 App: 02.09.21 | Drv COM: 2.0 | Drv DLL: 2.7

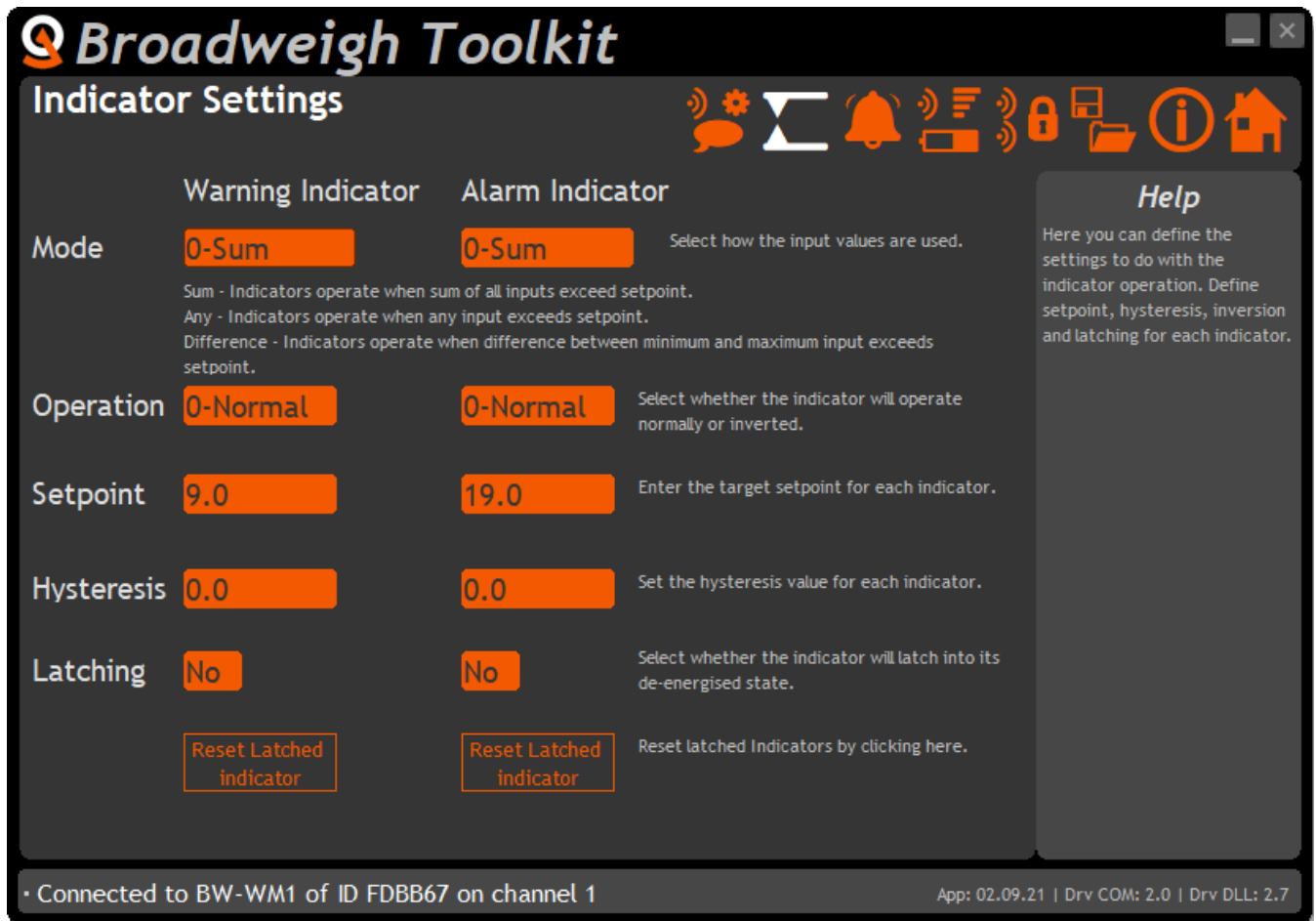
Here you can set the Data Tags of the data used as the inputs.

The description below the 'Indicator1' and 'Indicator2' captions indicate the way in which the values from the Data Tags will be used to compare against the setpoint to determine whether the indicator will activate. See the Indicator Operation Settings section for details.

Items you can change:

- | | |
|----------------------------|--|
| Indicator 1 Data Tag [1-8] | Enter up to eight Data Tags the data from which will be used to determine the value compared to the set point to control indicator 1. |
| Indicator 2 Data Tag [1-8] | Enter up to eight Data Tags the data from which will be used to determine the value compared to the set point to control indicator 2. |
| Zero Offset [1-2] | This value will be subtracted from the total of the summed data from the data tags for Indicator 1 and Indicator 2. Only used in Sum mode. |

Indicator Settings



Here you can change various settings that influence the operation of the individual indicators.

Items you can change:

- Mode [1-2] This setting determines how the Data Tag values are used to compare against the setpoint.

 - Sum – The values of the defined Data Tags are summed and this summed total is compared to the setpoint.
 - Any – The Data Tag with the highest value is compared to the setpoint. i.e. If any of the individual transmitter modules exceed the setpoint.
 - Difference - The difference between the lowest and highest values of all the Data Tags is calculated and this difference (Which is absolute i.e. always positive) compared to the setpoint.

- Operation [1-2] Whether set to normal or inverse decides how the indicator state corresponds to the set point and hysteresis. (See diagram on next page)

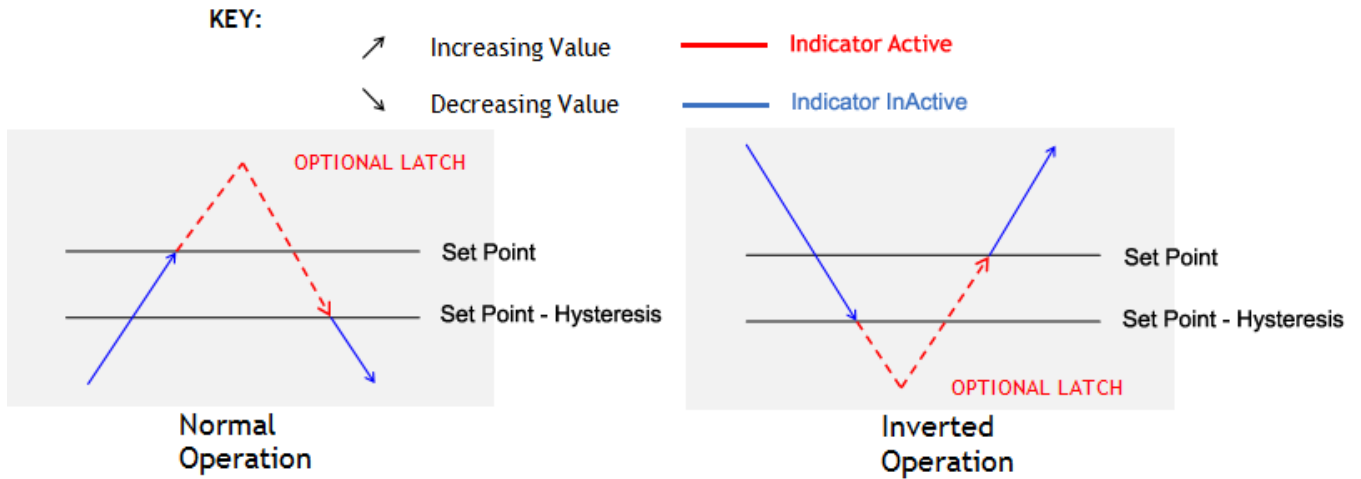
- Setpoint [1-2] The Set Point is the level at which the indicator state will change, see below.

- Hysteresis [1-2] This value sets an offset between when the indicator is energised and de-energised creating a de-bounce for the indicator. (See diagram on next page)

- Latching [1-2] Latching locks the state of the indicator when it passes the set point.

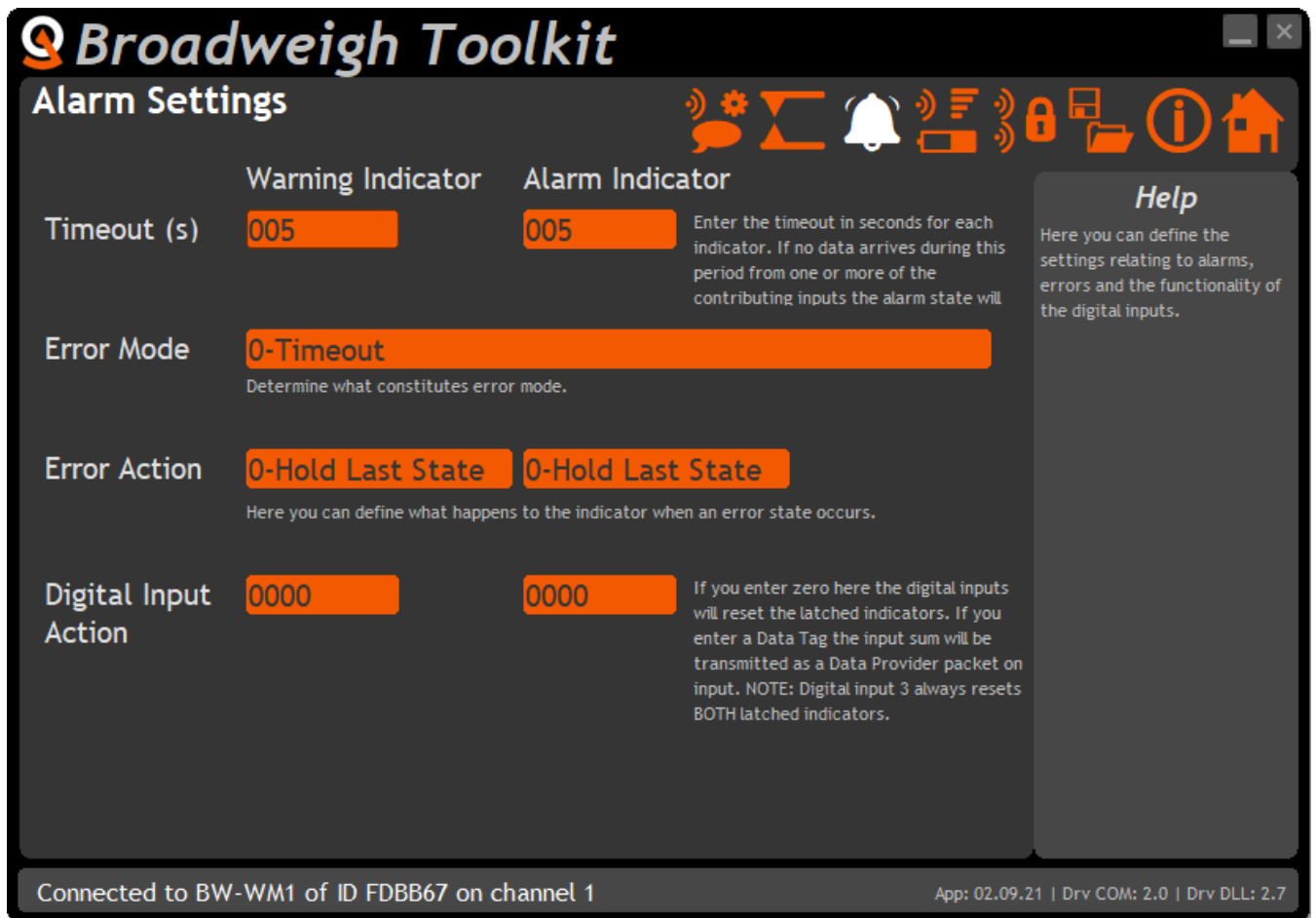
- Advanced Button Displays the Indicator Settings Advanced page.

Operation and Hysteresis Settings



Indicator activates when reaching the set point.

Alarm Settings



Broadweigh Toolkit

Alarm Settings

Warning Indicator Alarm Indicator

Timeout (s) 005 005 Enter the timeout in seconds for each indicator. If no data arrives during this period from one or more of the contributing inputs the alarm state will

Error Mode 0-Timeout Determine what constitutes error mode.

Error Action 0-Hold Last State 0-Hold Last State Here you can define what happens to the indicator when an error state occurs.

Digital Input Action 0000 0000 If you enter zero here the digital inputs will reset the latched indicators. If you enter a Data Tag the input sum will be transmitted as a Data Provider packet on input. NOTE: Digital input 3 always resets BOTH latched indicators.

Help
Here you can define the settings relating to alarms, errors and the functionality of the digital inputs.

Connected to BW-WM1 of ID FDBB67 on channel 1 App: 02.09.21 | Drv COM: 2.0 | Drv DLL: 2.7

This page defines how the individual indicators will react to time outs and errors present from any defined Broadweigh module, as well as how Digital inputs 1 and 2 are used.

Items you can change:

Timeout Enter a time in seconds that if exceeded the BW-WM1 will affect the indicator state according to the error action, as well as set the alarm indicator and light the time out LED

Error Mode	<p>The error mode defines what causes the green indicator to be deactivated. Errors can be defined as</p> <ul style="list-style-type: none"> • Time out • Time out or Low Battery • Time out or Low Battery or Integrity Error
Error Action	<p>For orange and red indicators the action upon error detection can be defined as</p> <ul style="list-style-type: none"> • Hold Last State • Deactivate Indicator • Activate Indicator
Digital Input 1	<p>Digital input 1 can be used to either</p> <ul style="list-style-type: none"> • Reset orange indicator from its latched state • Transmit a data provider with user defined data tag containing the total of the inputs of Indicator 1
Digital Input 2	<p>Digital input 2 can be used to either</p> <ul style="list-style-type: none"> • Reset red Indicator from its latched state • Transmit a data provider with user defined data tag containing the total of the inputs of Indicator 2

Log100 Mode

This simplified mode is offered for when the module is used with a suitable plugin for the Log100 software. In this mode there is only one thing to configure and the green LED indicator activates when data is being correctly received from both Log100 and all transmitters configured in Log100. i.e. the green indicator will deactivate if data stops arriving from Log100 or any of the transmitters configured in Log100 stop transmitting.

The amber indicator activates when any Log100 display channel reaches the warning level and the red indicator activates when any display channel is under or over range.

Log100 Mode Settings



Here you can set the Data Tag to match the one configured in the Log100 software. This is the only setting you need to change in this very simple mode.

Items you can change:

Data Tag Enter a Data Tag to match the one configured in the Log100 plugin.

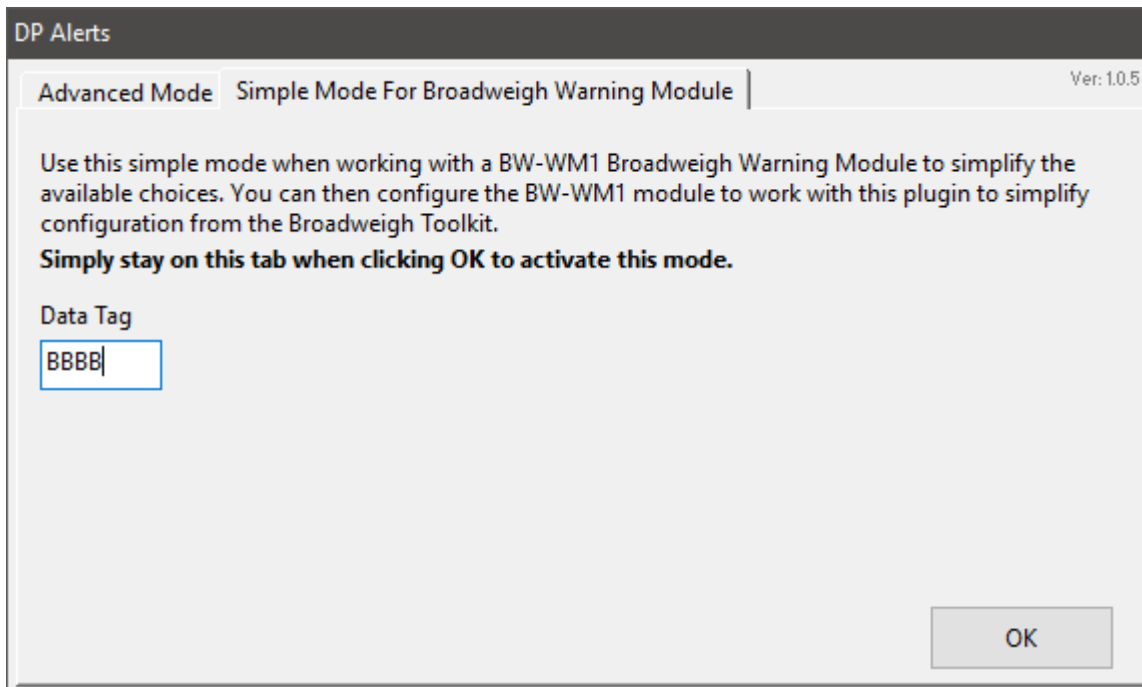
Additional Log100 Requirements

To use this simple mode you need a copy of the free Log100 software which allows viewing logging and visualization of Broadweigh transmitter data.

You will also need the DPAlerts plugin software module to activate this feature at the Log100 side. This can be downloaded from the Broadweigh web site.

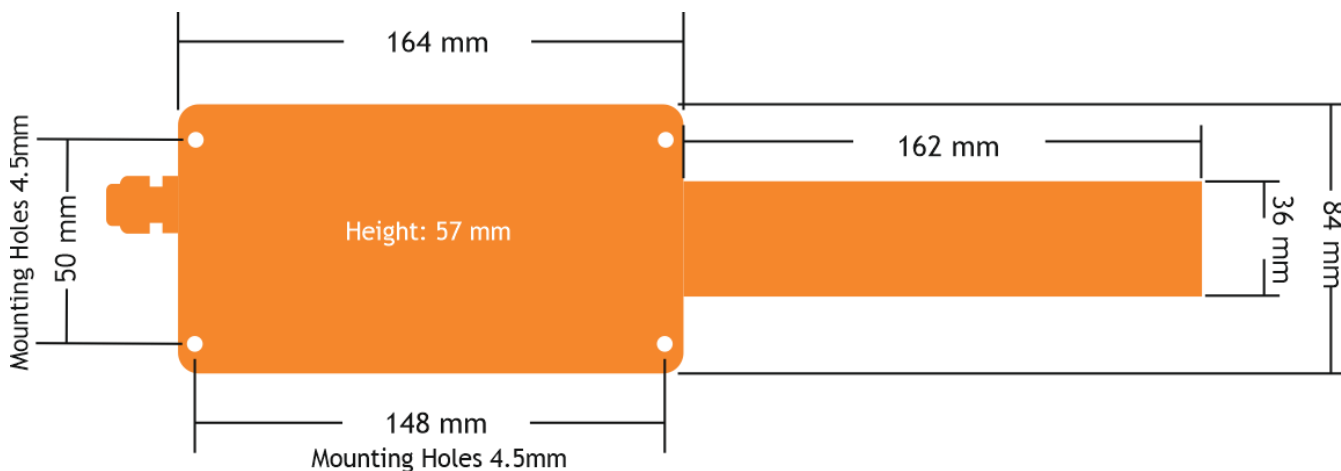
Once the plugin has been installed use the More... menu in Log100 to select Configure under the DPAlerts heading.

Just click on the Simple Mode For Broadweigh Warning Module tab and make sure that the Data Tag matches the one set in the Toolkit as shown above.



Enclosure & Mounting

This module is fitted inside our large, B Style ABS enclosure. Please see [Appendix A – B Style](#) for more information and optional mounting.



Antennas

These modules have the antenna already fitted inside the enclosure so there are no specific mounting requirements.

Specification

	Min	Typical	Max	Units
PSU		12		Vdc
Operational Current All Indicators Active		500		mA
Operational Temperature Range	-10		60	°C
Storage Temperature Range	-40		70	°C

Radio Range

For details of radio range please refer to [Appendix B – Radio Range](#)

Base Stations & Repeater Modules

Base stations are required for configuration of the Broadweigh modules using the Broadweigh Toolkit software. They are also used to supply data to PCs and PLCs. Repeaters allow the effective radio range to be increased, allow better coverage and to divert around obstacles.

BW-BSue, BW-BSd, BW-BSi

Overview

Base stations are the interface between the Broadweigh radio system and a PC, PLC or other controller. A base station would be required to configure Broadweigh modules from a PC using the Broadweigh Toolkit software and also required if you are to capture data from Broadweigh modules to a PC or PLC.

Order Codes

BW-BSue



Base station in weatherproof enclosure with USB connection. This is a more robust housing with more range than the BW-BSd.

BW-BSd



Base station mounted in a non-weatherproof USB dongle enclosure for direct connection to laptops and tablets.

BW-BSi



Base station mounted in large weatherproof enclosure. This variant has RS232, RS485 connections along with USB. This variant is ideal for permanent outdoor installations.

Addressing

Usually only a single base station is required in a broadweigh installation. If a shackle is outside the range of the base station a repeater may be deployed. Some complex topologies may only be realised by using multiple base stations which may require changes to the Address switches. (Contact Mantracourt Electronics for advice regarding multiple base stations residing on a single serial bus)

The BW-BSi has interfaces for USB, RS232 and RS485 and is addressable. The USB only base stations (BW-BSue & BW-BSd) have a fixed address of 1 so only one can be connected to a PC at a time.

Connections

BW-BSue & BW-BSd

Connection to the base station will be either a captive USB cable (BW-BSue) or direct connection to a PC USB socket (BW-BSd).

To communicate with the base station the connected host device must use the USB HID Device Class and support USB 2.0 full speed interface (12Mbits).

The USB connection will also power the base station.

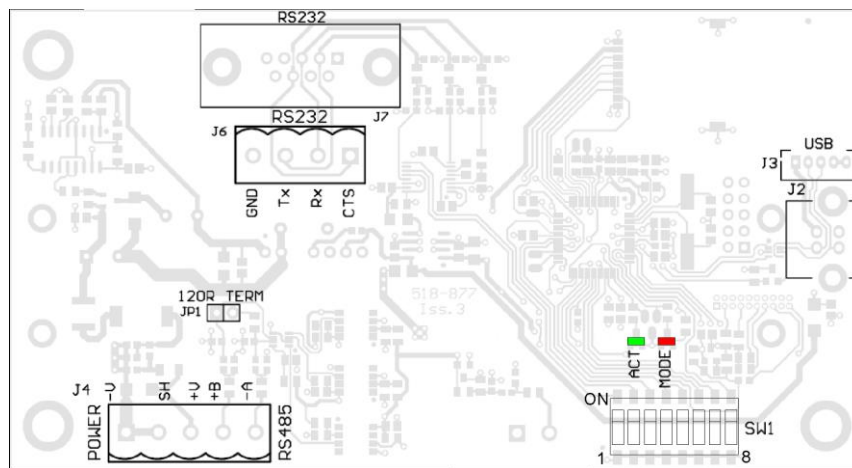


The noise generated due to the USB 3.0 data spectrum can have an impact on radio receivers whose antenna is placed close to a USB 3.0 connector. The noise is a broadband noise that cannot be filtered out, since it falls within the band of operation of the wireless device (2.4–2.5 GHz). The noise degrades the signal-to-noise ratio that the wireless receiver sees and limits its sensitivity. This then reduces the operating wireless range of the device. The operation of the Base Station Dongle (BW-BSd) devices may be adversely affected by some USB 3.0 ports depending on their location and whether they employ shielded receptacles. This may manifest itself in the inability to 'pair', reduced range or intermittent data reception.

Performance may be recovered by plugging the device into a different USB 3.0 port, plugging the device into a USB 2.0 port or using a short USB 2.0 extender cable (USB A male to USB A female).

BW-BSi

This diagram shows the available connections, switches and LEDs.



9Vdc – 32Vdc power on J4 –V and +V

The interface can be selected from the DIP switches SW1 as can baud rates for serial interfaces and the Address of the base station.

SW1 Settings

Address

Switch positions 1 to 4 select the base station Address. This should normally be 1.

	1	2	3	4
Address				
1	Off	Off	Off	Off
2	On	Off	Off	Off
3	Off	On	Off	Off
4	On	On	Off	Off
5	Off	Off	On	Off
6	On	Off	On	Off
7	Off	On	On	Off
8	On	On	On	Off
9	Off	Off	Off	On
10	On	Off	Off	On
11	Off	On	Off	On
12	On	On	Off	On
13	Off	Off	On	On
14	On	Off	On	On
15	Off	On	On	On
16	On	On	On	On

Serial/USB

Switch positions 5 to 7 set whether serial or USB is used. If USB is not selected then the chosen switch settings control the baud rate for the serial interface. Whether the serial interface is RS485 or RS232 is selected by switch position 8.

	5	6	7
Baud rate / USB			
USB	Off	Off	Off
9600	On	Off	Off
19200	Off	On	Off
38400	On	On	Off
57600	Off	Off	On
115200	On	Off	On
230400	Off	On	On
460800	On	On	On



A baud rate of 9600 (and in some cases 19200) is not suitable for 2 way communication with remote modules as it is too slow and causes timeouts. This baud rate has been included to enable the base station to be connected to a 9600 baud device to allow low rate Data Provider packets to be received.

At any rate below 230400 it may be possible to lose packets at high data rates as the serial connection cannot keep pace with the radio transmissions.

If USB is not selected as the interface (Switch positions 5 to 7) then this switch position selects whether the serial interface is RS232 or RS485.

	8
232/485	
RS232	Off
RS485	On

Power

USB base stations will be powered by the USB bus. If RS232 or RS485 are selected then external power will need to be connected to J4 on the -V and +V pins. 9Vdc to 32Vdc supply.

LED Indication

Two LEDs indicate Power/Mode and Activity.

The red LED indicates mode and should flash at a 2Hz rate. If any errors are detected with the radio then the LED will remain lit.

The green LED flashes once for each packet received or transmitted via radio, USB or serial.

RS232

The RS232 interface uses TX, RX and GND to connect to a PC, PLC etc. and uses standard RS232 voltage levels. The baud rate can be selected by setting the DIP switches stated above.



The base station will require power cycling to utilise a baud rate change.

Example connection to a PC 9 way D serial connector.

PC 9 Way D Plug Pin	Signal Direction	Base Station Connection	
3 (TX)	->	RX	J6 RX or J7 Pin 3
2 (RX)	<-	TX	J6 TX or J7 Pin 2
5 (Gnd)		GND	J6 GND or J7 Pin 5
8 (CTS)	<-	CTS	J6 CTS or J7 Pin 8

RS485

The RS485 interface (This is a 2 wire 485 interface and will not work with 4 wire 485 buses) uses TX, RX and GND to connect to a PC, PLC etc. and uses standard RS485 voltage levels. JP1 header link should be fitted if this module is the last one on the RS485 bus. In most cases the JP1 link header should be fitted.

The baud rate can be selected by setting the DIP switches stated above.



The base station will require power cycling to utilise a baud rate change.

Example connection

Depending on the RS485 interface or hardware the connections vary and are not standard therefore we can only show the connections to the base station. You must refer to the user manual regarding your RS485 connection to ascertain the correct connections.

PC / PLC Connection	Signal Direction	Base Station Connection	
Refer to RS485 Device User Manual		A	J4 -A
Refer to RS485 Device User Manual		B	J4 +B
Refer to RS485 Device User Manual		GND	J4 SH

Serial Limitations

- When using RS232 or RS485 you should use the fastest baud rate possible. At lower rates data can be lost because it can arrive from the radio faster than the base station can send it serially.
- At 9600 baud you will experience communications problems when configuring modules. This baud rate is too slow for anything other than monitoring data provider packets from modules and even then these should be at a low rate (around 20 per second). The slow baud rates are provided to get low rate data into older systems.
- RS485 is a bus master system and is not ideally suited to full communications with modules when multiple modules are providing data. This is fine for the normal operation of data transmitter but it is recommended that only the module to be configured is active during configuration.

USB

This module may also be connected via USB which will also power the base station.

A standard USB B cable can be connected to J2 but the lid cannot be fitted once this has been plugged in.

If a sealed module is required when using USB please contact Mantracourt Electronics and enquire about our optional socketed USB cable to pass through glands and attach to J3.

Configuration

The Broadweigh Toolkit provides a means of simple configuration and calibration of the transmitter module along with useful tools to aid integration.

Home

Broadweigh Toolkit

Home

Monitor or Log
You can view and log the data being transmitted from an acquisition module or view the spectrum analyser by clicking the icons above right. Pairing is NOT required to log data from your device.

Configure your device
To configure your module we need to temporarily pair to it. When we pair from the Toolkit we configure the base station radio settings to match the remote module.
To pair you must:

- Remove the power from your module.
- Initiate the pair by clicking the button below.
- Re-apply the power to the module.

When applying power be careful to do this cleanly because if the module is powered up with an intermittent connection it may reset during pairing and result in poor or no communications.

Pair

If the module cannot be paired because access to the power supply is either not possible or many modules share the same power supply. [Click Here](#) for manual connection.

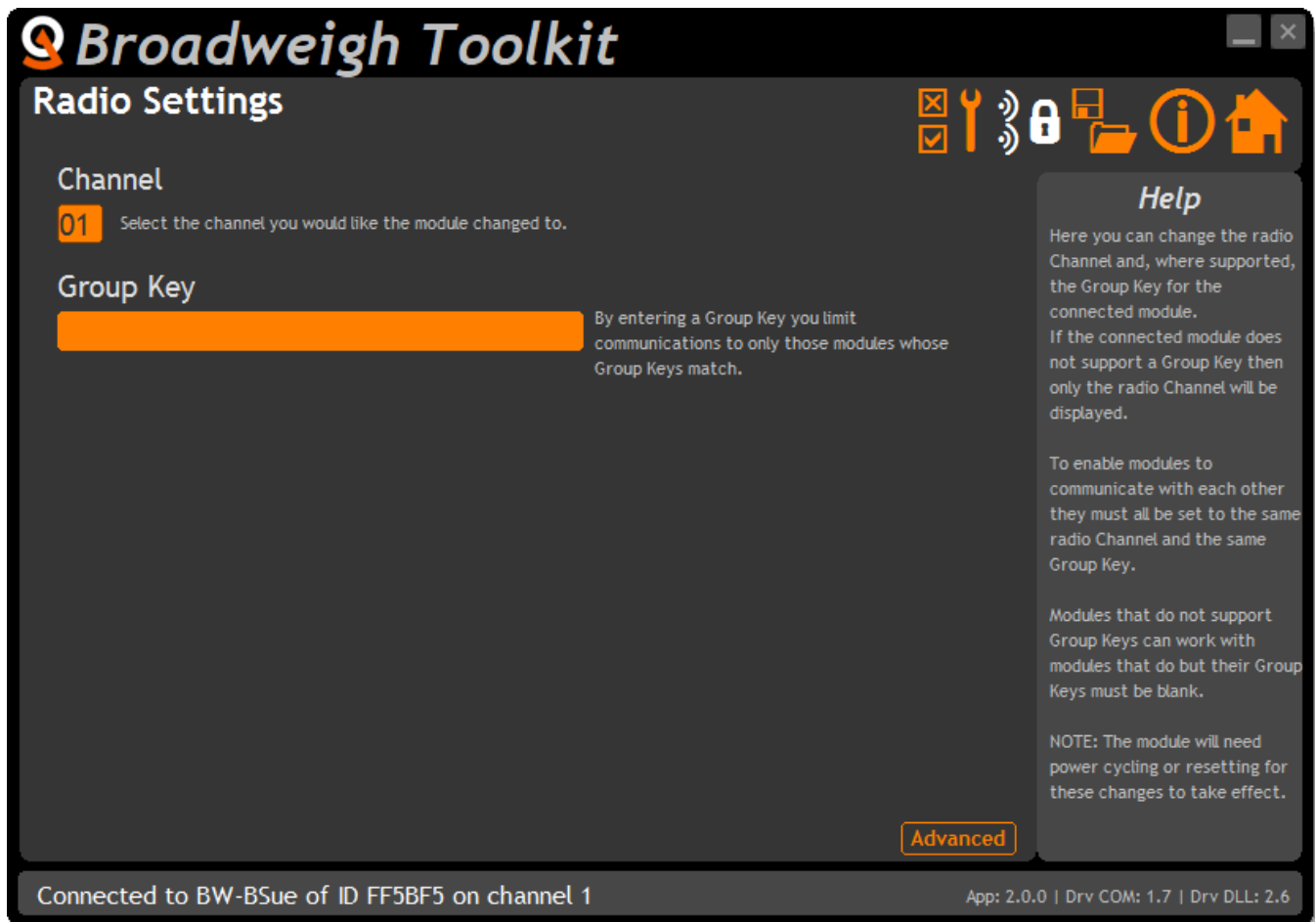
Help
This Home page is where you begin your connection to your module.
You must be able to access its power supply so you can remove and reapply it.
The module you want to connect to must be the only module you re-apply power to.
When pairing to a module the base station radio settings are changed to match those of the remote module.
[To connect to the base station hold the Shift key while clicking the Pair button]

Connected to Base Station of ID FF8C80 on channel 1 App: 2.0.0 | Drv COM: 1.7 | Drv DLL: 2.6

You now have successful communications with the base station so you can now let the Toolkit know you want to configure the base station and not a remote module.



To connect to and configure the connected base station, hold the shift key and click the Pair button.



Here you can change the channel and group key for the base station.

Items you can change:

- | | |
|-----------|--|
| Channel | Select a channel between 1 and 15. The default is channel 1. You can use the Spectrum Analyser mode to determine a good clean channel to use. |
| Group Key | This section will only be visible if the version of the base station supports Group keys.
Only modules with identical group keys can communicate. You can isolate groups of modules on the same channel or just use the key to ensure the data cannot be read by somebody else.
To use modules that support Group Keys with older modules that do not then the Group Keys must be blank. |
| Advanced | See Radio Settings Advanced (Not the next section) |



You should not normally need to change these settings.

Items you can change:

Waker Duration	When you send a wake command to a Broadweigh module via the base station the duration of this wake attempt is controlled by this setting. Enter the desired duration in milliseconds.
----------------	---

Enclosure & Mounting

BW-BSue

This module is fitted inside our medium enclosure. Please see [Appendix A – C Style](#) for more information.

BW-BSd

This module is fitted inside our small enclosure. Please see [Appendix A – H Style](#) for more information.

BW-BSi

This module is fitted inside our large enclosure. Please see [Appendix A – B Style](#) for more information and optional mounting.

Antennas

These modules have the antenna already fitted inside the enclosure so there are no specific mounting requirements.

Specification

BW-BSi

Parameter	Minimum	Typical	Maximum	Units	Notes
External Supply voltage Range	9	12	32	Vdc	
USB Supply Range	4.875	5	5.125	Vdc	As defined by USB 2.0 Specification
Average Operational Current	-	100	-	mA	At 12 V
Operating Temperature Range	-20	-	55	°C	
Storage Temperature Range	-40	-	85	°C	
Reverse polarity Protection		-	-32	Vdc	Maximum Supply
Environmental Protection			IP67		With cables exiting through glands
Cable Lengths:					
USB			5	m	
RS232 @ 115200 Baud			10	m	
RS485 @ 230400 Baud			300	m	

BW-BSd

Parameter	Minimum	Typical	Maximum	Units	Notes
USB Supply Range	4.875	5	5.125	Vdc	As defined by USB 2.0 Specification
USB Bus Powered Operational Current	-	100	-	mA	
Operating Temperature Range	-20	-	55	°C	
Storage Temperature Range	-40	-	85	°C	
Environmental Protection			IP50		

BW-BSue

Parameter	Minimum	Typical	Maximum	Units	Notes
USB Supply Range	4.875	5	5.125	Vdc	As defined by USB 2.0 Specification
USB Bus Powered Operational Current	-	100	-	mA	
Operating Temperature Range	-20	-	55	°C	
Storage Temperature Range	-40	-	85	°C	
Environmental Protection			IP67		Does not apply to USB connector at cable end

Radio Range

To determine radio range please refer to [Appendix B – Radio Range](#)

BW-AR

Overview

The BW-AR is an active repeater which will allow the Broadweigh range of modules to divert around obstacles or increase range or coverage.

The connectivity module provides a battery holder for a pair of alkaline 'D' cells and has regulator circuitry for an external power supply. The batteries can also be used to provide power in case of external supply failure.

The case is environmentally sealed to IP67.

The repeater will allow messages to be repeated once which could double the radio range under ideal conditions. Adding more repeaters will not increase range but can increase coverage.

Order Codes

BW-AR

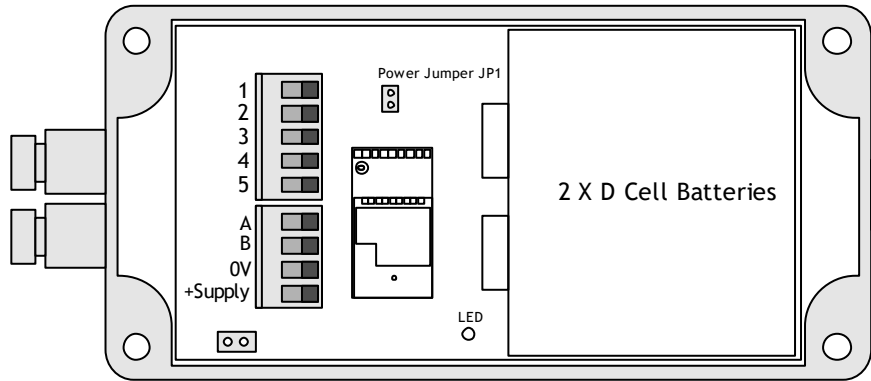


Active Repeater module mounted in large weatherproof enclosure with battery holder for two D cell alkaline batteries. Also has ability to be powered from external supply voltage.

Connections

Power

Power can be supplied by fitting two 'D' cell alkaline 1.5 V batteries or the module can be supplied from an external 5 Vdc to 18 Vdc source. The module will switch to the external supply in preference providing a battery backup. In both cases the JP1 power jumper needs to be fitted to supply power to the module. When powered from the external DC source the LED will illuminate.



Power Options

The BW-AR can operate permanently powered from a 5-18 Vdc source or can operate from on-board batteries.

Permanently Powered





This is the simplest way to operate the repeater. With a permanent supply you do not need to worry about the repeater sleeping or waking. You can optionally choose whether the repeater always wakes sleeping modules and then you could utilise the powering up of the repeater to wake up those modules outside the normal radio range.

Battery Powered

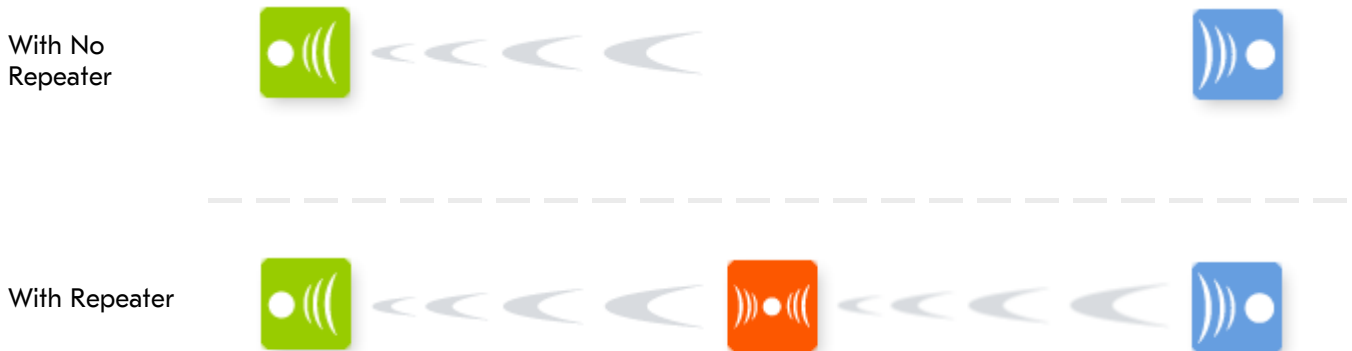
In low power battery mode the repeater wakes from sleep when other modules are woken and will remain awake until it stops receiving Stay Awake messages. This will work transparently with most Broadweigh instrumentation. You just need to decide on the Sleep Delay for a battery powered repeater. This causes the repeater to enter sleep mode if it does not receive stay awake messages within the Sleep Delay time. Stay awake messages are transmitted by handhelds, analogue output modules and PC software etc. so that when those items are turned off or disabled all other Broadweigh modules will sleep when their Sleep Delay time elapses.

Getting Started

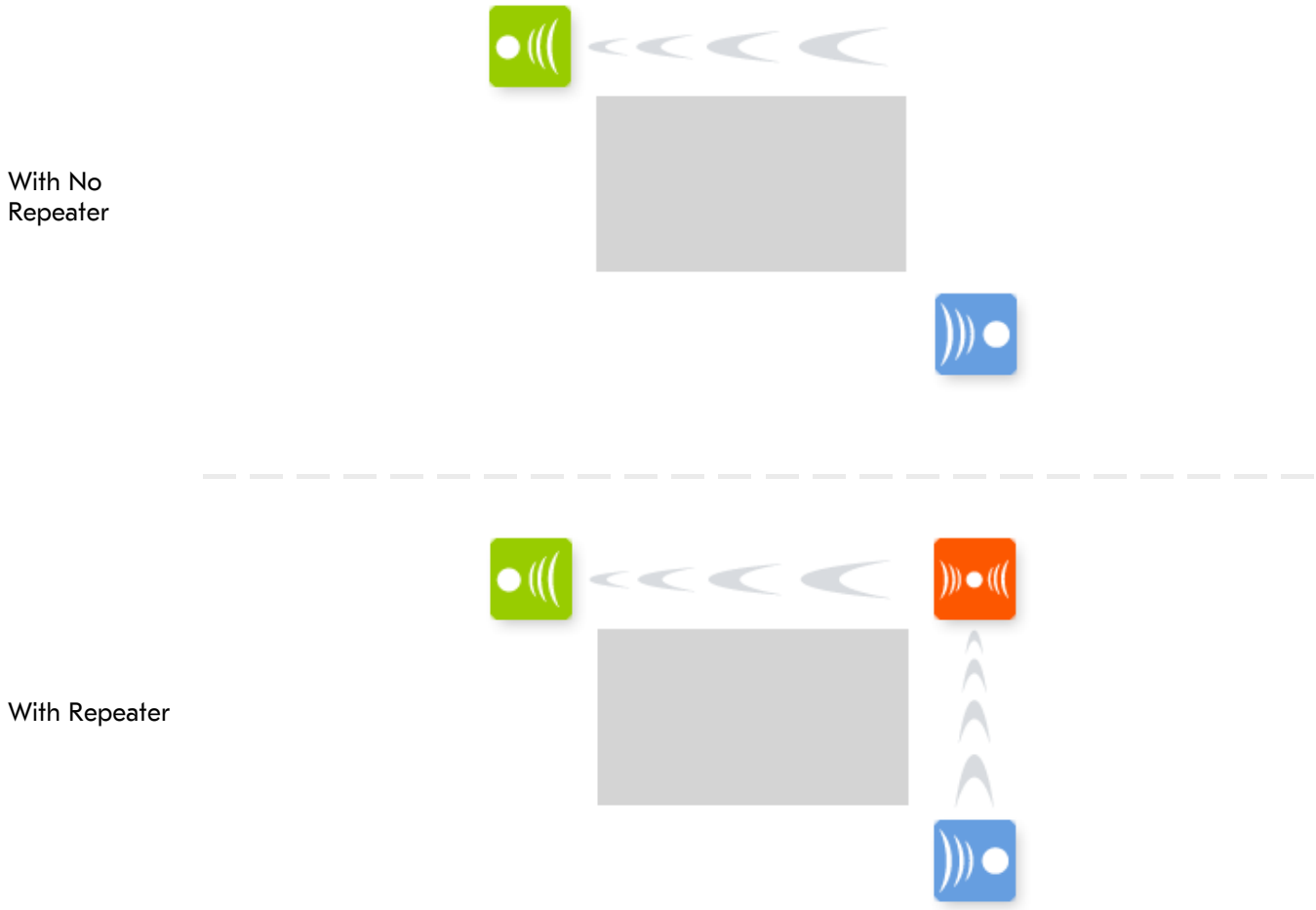
Use the Broadweigh Toolkit to ensure that the repeater radio channel matches the rest of the Broadweigh modules. You will then need to decide whether the repeater is battery powered or permanently externally powered and whether it should always wake other sleeping modules when it is powered up and awake.

KEY:  **BW Transmitter** e.g. BW-S325  **BW Receiver** e.g. base station or handheld  **BW Repeater** BW-AR  **Obstacle** Building, wall etc

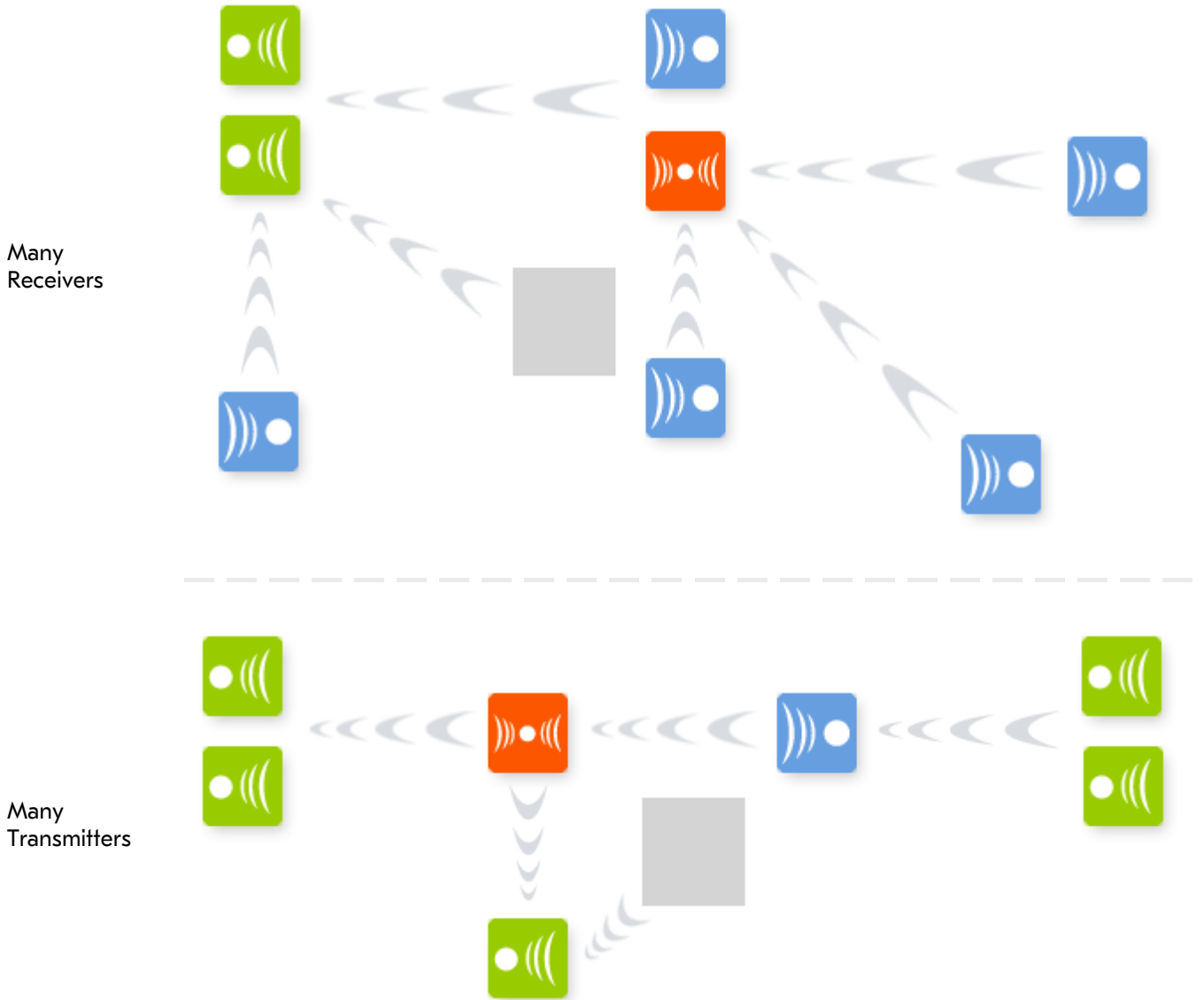
Increase Range



Span Obstacles



Combined Solutions



Considerations

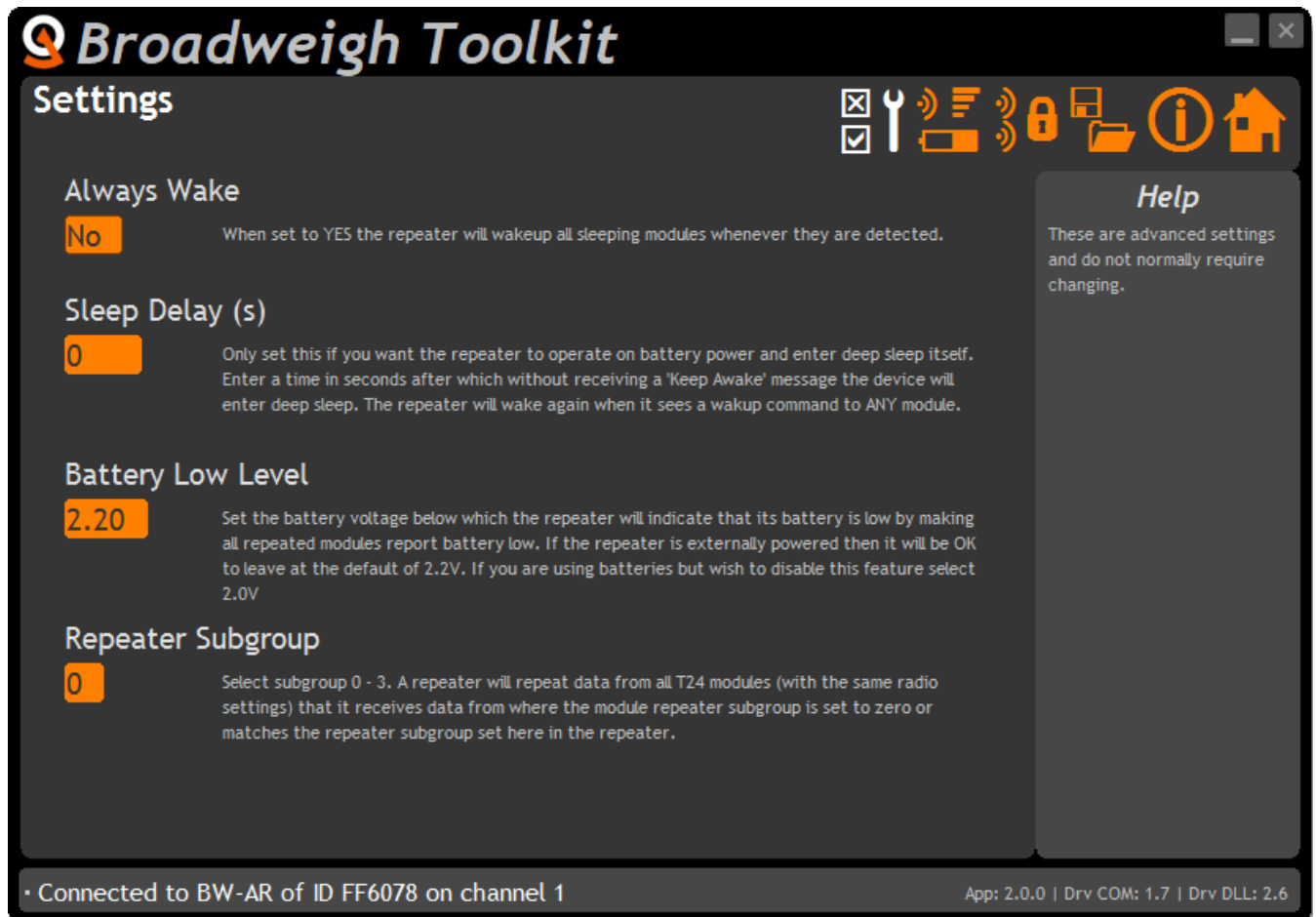
- Each repeater can effectively double the amount of traffic transmitted. Be careful not to introduce too many repeaters that are within range of each other as there may be un-necessary duplication of radio traffic. Carefully plan the layout of radio modules to minimise this.
Using the Data Provider monitor in the Broadweigh Toolkit can show the amount of traffic. The Broadweigh Toolkit on a laptop or netbook is ideal for checking installations as it is mobile so traffic can be monitored at different points in the installation.
- A repeater will not repeat a packet that has already been repeated. Hence there is only one extra 'hop' introduced and a maximum doubling of the radio range.
- When waking remote modules separated by a repeater and that repeater is asleep it may take twice as long to wake a module as when no repeater is involved.
- If the repeater is to be battery powered use the same Sleep Delay as is suitable for the transmitter modules in the system.
- You cannot pair to a module through a repeater. Using the Broadweigh Toolkit it may be possible to configure module through a repeater by [soft pairing](#). The results will vary depending on the number of repeaters and amount of radio traffic. In some cases it may be necessary to power down repeaters when configuring modules.
- Most receiver modules and software issue a broadcast wake when turned on or activated and this will also wake a sleeping repeater which will then proceed to wake those modules within its range..

Configuration

The Broadweigh Toolkit provides a means of simple configuration and calibration of the transmitter module along with useful tools to aid integration.

Launch the Broadweigh Toolkit software application and pair to this module to enable the connection to the Toolkit to allow configuration to take place. See [Common Toolkit Pages - Home](#)

Settings



Here you can change the settings for the repeater.

Items you can change:

- | | |
|-------------|--|
| Always Wake | In some cases where the repeater is manually powered on and off you may want it to wake all sleeping modules within its range. Set this option to Yes to enable this. The modules you wake should have their own Sleep Delay settings set so they go back to sleep after stopping receiving Stay Awake messages from the data consumer (PC or handheld). |
| Sleep Delay | If the repeater is to be battery powered and you want to operate in low power mode you can employ this delay. Once the repeater stops hearing Stay Awake messages from the data consumer (PC or handheld etc.) it will go to sleep after this amount of time. The repeater will wake when any other module is woken. Set to zero to disable. |

Battery Low Level

Select the battery voltage below which the repeater will report a low battery. It does this by making all repeated modules report a low battery so the data consumer (a handheld or PC software etc.) will be able to detect a problem. The battery level applies to the voltage seen after 3 V regulation. The default is 2.2 V and can be left at this when the repeater is powered externally.

If the repeater is battery powered and you wish to disable this feature select 2.0 V

Enclosure & Mounting

This module is fitted inside our large, 'ACM' ABS enclosure. Please see [Appendix A – B Style](#) for more information and optional mounting.

Antennas

These modules have the antenna already fitted inside the enclosure so there are no specific mounting requirements.

Radio Range

To determine radio range please refer to [Appendix B – Radio Range](#)

Specification

Environmental	Min	Typical	Max	Units
Operating temperature range	-40		+85**	°C
Storage temperature	-40		+85	°C
Humidity	0		95	%RH
Environmental protection with suitable cables exiting through cable glands.		IP67		

**Batteries used may have reduced operating temperature range.

Power Supply	Min	Typical	Max	Units
Standby / Low power mode		5	20	µA
Normal Mode on constantly		55	60	mA
Reverse Polarity Protection		-32		Vdc
Internal				
Battery Supply Voltage	2.1	3	3.6	Vdc
External				
Power Supply voltage	5		18	Vdc
Power Supply ripple			50	mV ac pk-pk

Battery Life	Typical	Units
Battery life using Duracell LR20 'D' cells with the BW-AR permanently activated. **	228 (10)	Hours (Days)

**Usually using batteries the BW-AR would be utilising the SleepDelay to return to sleep. Therefore the actual daily usage would allow for far greater than the stated battery life. For example: If the BW-AR was used for 1 hour per day then the battery life would be 6840 hours or 288 days or nearly 10 months.

Radio Range

To determine radio range please refer to [Appendix B – Radio Range](#)

Power Supply Modules

PP1 & SP1

Overview

The Power Pack (PP1) & Solar Panel 1 (SP1) provides dependable off-grid power generation and storage to support a variety of products.

Packaged in an IP67 sealed case with rugged waterproof connectors the PP1 has two sources of charge for the internal battery with both solar and mains power input charging. The case also features Stainless steel padlock protectors for easily securing your supply on site.

The PP1 has a single 12 V fuse protected output. The mating connector comes pre-fitted with 5 metres of cable and bare end connections.

The solar panel features hail-proof tempered glass and closely packed polycrystalline cells, sealed into a robust aluminium frame. The junction box on the rear of the panel does not protrude beyond the frame, so installation can be simple and neat. The solar cell comes with 5 metres of cable as standard.

The SP1 & PP1 combined are designed to provide a perpetual power supply for a 12 V system drawing an average of 53 mA, even during winter.

The PP1 can also be used as a mains powered 12 Vdc supply with 33 Ah battery backup.

Order Codes

PP1



Power pack 1 housed in robust weatherproof case.

SP1



Solar panel with cable suitable for connection to PP1

Getting Started

It is important when using the PP1 in any configuration that the connections are made in the following order:

1. Connect the 12 V output lead to the device you wish to supply. The PP1 is provided with a 5 metre 12 V output cable, this cable has the IP67 connector which mates with connection 3, see below. The cable is bare end terminated the red wire is positive and black is ground. Ensure the bare end connections are made before attaching to the PP1.
2. Connect the Solar Panel. The solar panel is supplied with a 5 m cable terminated with the IP67 connector which mates with connection 1, see below.
3. Connect 100-240 Vac supply (if necessary) The PP1 is supplied with a 0.8 m mains cable with a 13 A plug. The battery inside the PP1 will be supplied fully charged.



Power Pack 1 Connections

1. Solar Panel Input
2. 100 – 240 volt AC input
3. 12 volt DC Output
4. 1.0 amp Anti-surge Fuse

Installation

Connecting Power Pack 1

All connectors on the SP1 and PP1 are IP67 rated when correctly mated. The PP1 case is also IP67 rated meaning it is protected against the effects of temporary immersion in water between 15 cm and 1 m for no longer than 30 minutes. Dust caps must be fitted properly if the connection is not being used. If possible avoid positioning the PP1 in direct sunlight to limit temperature effects on the battery.

The connections for the solar panel input and 12 V output feature a locking collar to ensure the connection is sealed. To insert remove the dust cap and align the connector and insert; there is a locating ridge to ensure correct orientation. Once inserted, twist the collar clockwise to lock in place. The connectors for the solar panel and 12 V output are opposite gender preventing incorrect connections.



The PP1 110 - 240 Vac input has a sealing cap for when it is not connected to the mains. The sealing cap is removed by pushing the outer sleeve towards the case and pulling the cap out.



To insert the mains cable input simply align the two parts using the locating grooves on the connector and push in until the outer sleeve locks; to remove again repeat the same procedure as to remove the sealing cap.

Solar Panel Orientation

The SP1 is supplied on a mounting plate which when assembled with the horizontal support holds the panel at 50 degrees. The bracket is designed to be mounted on a pole or directly onto a wall. For detailed panel angle information based on country and location see Solar Electricity Handbook calculator here: <http://www.solarelectricityhandbook.com/solar-angle-calculator.aspx>



When positioning the solar panel it should always face true south if you are in the northern hemisphere, or true north if you are in the southern hemisphere. True north is not the same as magnetic north. If you are using a compass to orient your panels, you need to correct for the difference, which varies with location. Search the web for "magnetic declination" to find the correction for your location.

Also consider where shadows may fall on the solar panel, the panel needs maximum exposure to the sun to operate as specified.

Operation

The PP1 and SP1 combination was designed to supply a 12 V system with a maximum continuous average current consumption of 53 mA. The power rating of the system would be 0.636 W; if used 24 hours per day this would equate to 15.264 watt-hours. On an average British day, this power could be produced by a solar panel array of approximately 6 watts. However, you do of course get more power in the middle of summer than in winter. In summer you could produce that power required with only 3 watts of solar panels. In winter you would need 15 watts of panels to produce enough power. Hence the SP1 20 W panel is more than adequate.

The output from the PP1 is fuse protected by a 1.0 A anti surge fuse, this is to protect against short circuit on the output, fuses are 1.0 A 20x5 mm ceramic glass tube type. The 100-240 Vac input charger is fuse protected in the 13 amp plug, if this plug is replaced with any other connector please consider how your PP1 is protected.

Dimensions & Weight

PP1 Dimensions	339 x 295 x 152 mm
PP1 Case materials	Polypropylene
PP1 Weight	13 kg
SP1 Dimensions	360 x 510 x 28 mm
SP1 Frame Material	Aluminium
SP1 Weight	3 kg



PP1



SP1

Specifications

Electrical	Min	Typical	Max	Units
Output Voltage		12		Vdc
Internal Capacity		33		Ah
External Power Supply Voltage	100	-	250	Vac
Input Frequency	47	-	63	Hz

Cable Lengths			
12 V Output Cable to Bare End		5	m
Solar Panel to Power Pack		5	m
Mains Charging cable *		0.8	m

* Supplied with 13 Amp Plug

Environmental			
IP rating		IP67	
Operating temperature range **	-20		+50 °C
Storage temperature	-20		+50 °C
Humidity	0		95 %RH

** When being charged from Mains min operating temperature 0 °C max operating temperature is 40 °C

Appendices

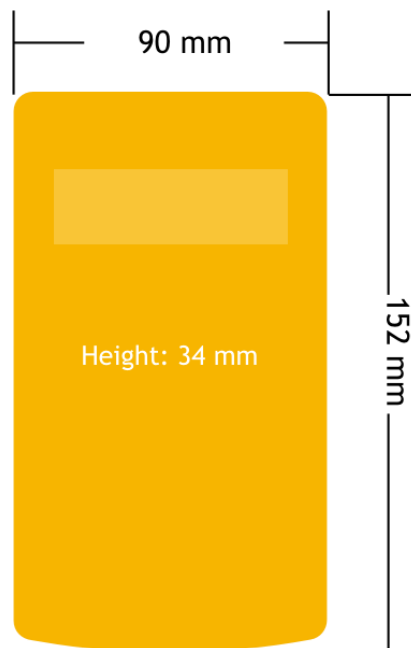
Appendix A - Enclosures

A Style (Handheld)



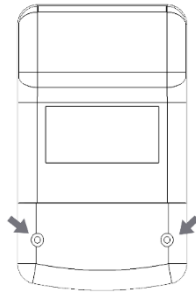
Dimensions

This ABS handheld case is 152 mm X 90 mm and 34 mm deep at its highest section.

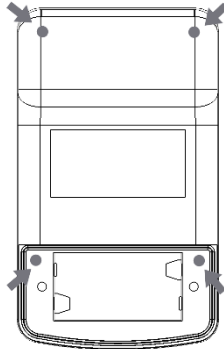


Opening the Case

The battery compartment is secured with two Philips head screws.



Once the battery compartment has been removed this gives access to two further screws which can be removed (along with the two at the top end) to allow the entire case to come apart. This gives access to the legend channels where cardboard legends can be slipped in behind the transparent label windows where supported. Note that the top two screws will have rubber 'O' rings on them. These rings are an integral part of the sealing mechanism.



When the case comes apart be careful of any wires running between the two case halves.

Mounting Information

There are no mounting options on the handheld enclosure.

Antenna Position

The enclosure is fitted with a BW-ANTA antenna which is mounted in the top end of the enclosure.

Environmental Protection

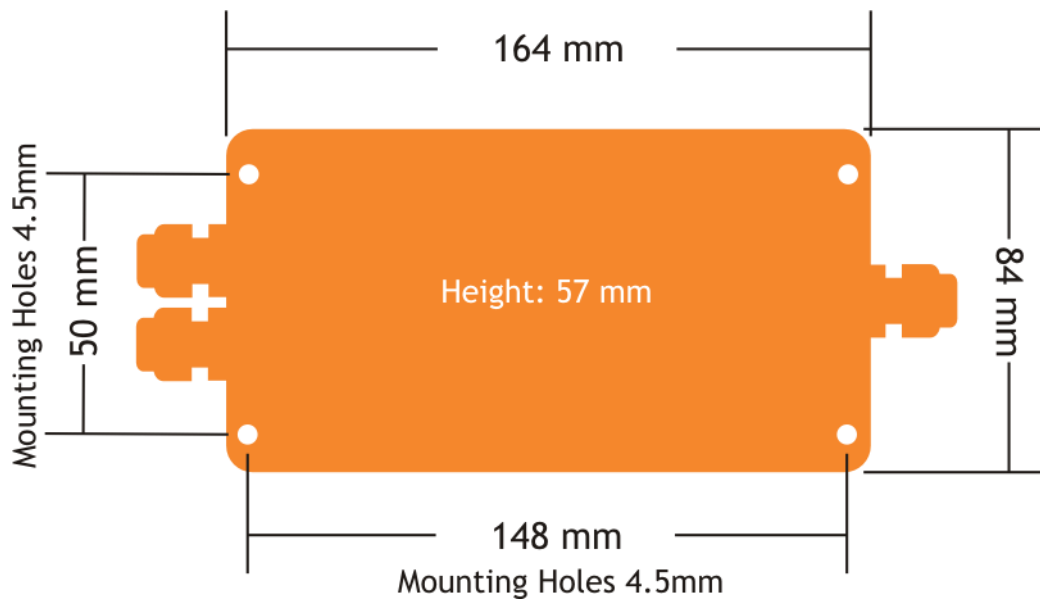
The enclosure is sealed to IP67. Ensure gaskets and mating parts are free from dirt and debris when re-assembling.

B Style (ACM)



Dimensions

This ABS enclosure measures 164mm X 84mm and 57mm deep. There are three positions for cable glands; two at one end and one at the other. Different modules may have a different number of glands fitted.



Opening the Case

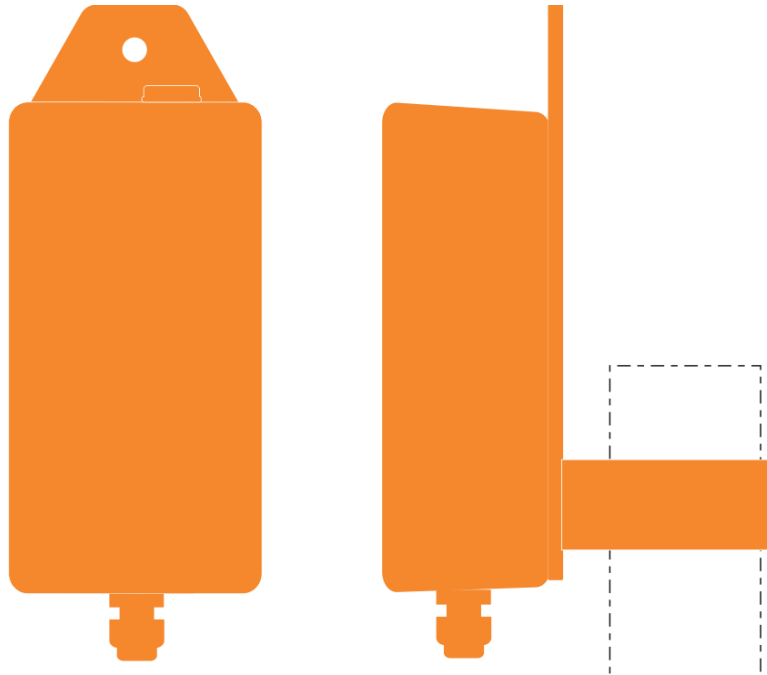
The case lid is secured with 4 x ¼ turn quick release screws. Using a flat head or Phillips screwdriver push down and turn each screw by 90° anticlockwise to release.

Mounting Information

This enclosure is designed to be mounted to a surface. It is secured by holes on a 148 mm X 50 mm rectangle. The mounting holes are accessible once the lid has been removed and these are outside the sealing mechanism. Mounting holes have a diameter of 4.1 mm and can accommodate a screw head diameter of 6.8 mm.

Optional Mounting Kit

An optional mounting kit is available for this enclosure type to allow fitting to 50mm scaffold poles (As fitted to the wind speed transmitter)



Antenna Position

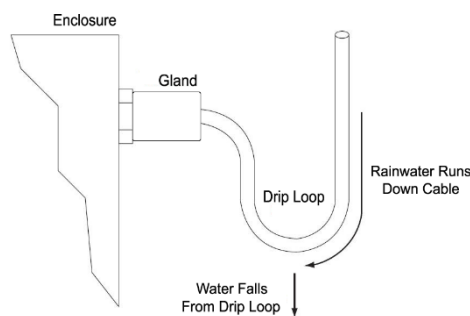
The module is fitted with a BW-ANTA antenna which is mounted on the inside of the long side of the base on the opposite side of the enclosure to the metallised polyester label visible on the outside.

Environmental Protection

The case is environmentally sealed to IP67 and the glands sealed to IP67 when cables of the correct diameter have been used.

The cable diameter can range from 4mm to 8mm. Cables of a smaller diameter may be used if sleeved to increase their diameter.

When mounting the enclosure outside the cables should be dressed to provide a drip loop.



The sealing gasket resides in the lid. Be careful when replacing the lid that there are no dirt particles on the lower case lip or in the lid gasket channel as this may reduce the sealing capability.

C Style (ACMi)



Dimensions

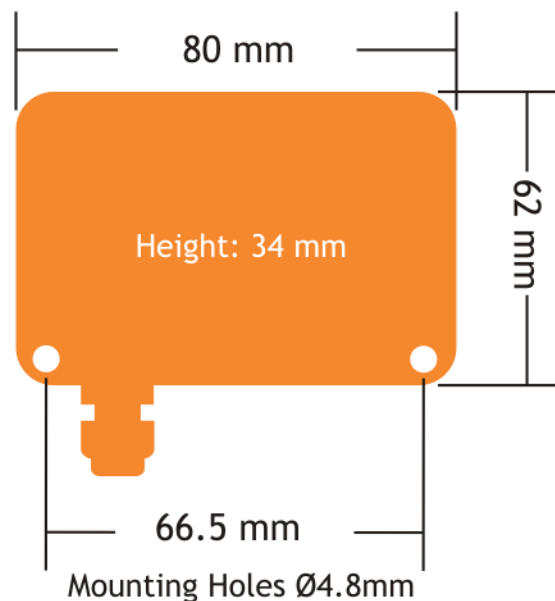
This enclosure is 76.6 mm X 59 mm and 31 mm deep. The gland extends a further 25 mm from one long side.

Opening the Case

The case lid is secured with 4 x #2 cross head screws, remove the four screws and apply pressure in either off set corner fixing to lift lid.

Mounting Information

The enclosure has two mounting holes as shown below; these mounting holes are external to the seal but still covered by the case lid to offer fixings for some environmental protection. In addition mountings can be made through the back of the case however a seal or gasket must be used to maintain environmental protection.



Antenna Position

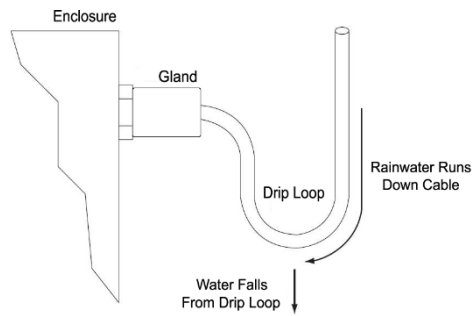
This enclosure is fitted with a PCB antenna which sits over the wiring access chamber and is covered by the enclosure lid.

Environmental Protection

The case is environmentally sealed to IP67.

The sealing gasket resides in the base. Be careful when replacing the lid that there are no dirt particles on the gasket channel or lid as this may reduce the sealing capability.

When mounting the enclosure outside the cables should be dressed to provide a drip loop.

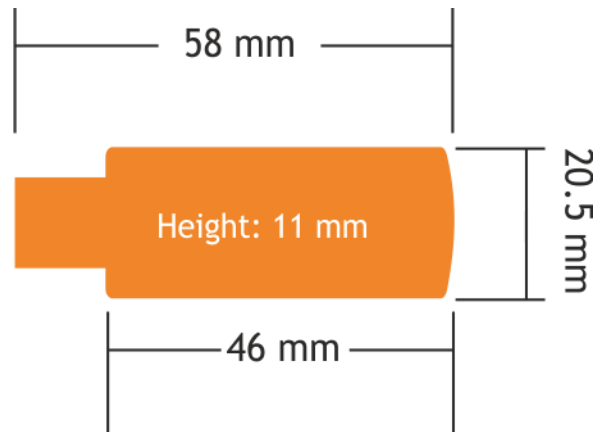


The sealing gasket resides in the base. Be careful when replacing the lid that there are no dirt particles on the lid lip or in the case gasket channel as this may reduce the sealing capability.

H Style (Dongle)



Dimensions



Opening the Case

The case is not designed to be opened.

Mounting Information

There are no mounting options. This style enclosure plugs directly into a USB port or alternatively into the end of a USB extension cable.

Antenna Position

The enclosure is fitted with an integrated chip antenna which is mounted in the top end of the enclosure opposite to the USB connector.

Environmental Protection

This enclosure is not weatherproof.

Appendix B – Radio Range

Overview

Radio performance at microwave wavelengths is very dependent upon the operating environment; any structure within the operating region of the radios will give rise to three effects:

Obscuration. Obscuration will result in reduced range and occurs when an obstruction masks the line-of-sight between radios.

Aberrations to the horizontal and vertical space patterns. Distortion of these patterns may occur if structures or objects are placed in the near or intermediate field of the antenna. The effect will be to distort the coverage patterns, adversely affecting range and link quality.

Reflection. Any object placed in line-of-sight of the transmit antenna will result in signals arriving at the receiver by an indirect path. Degradation of performance due to reflection (multipath effects) appears as reduced range or poor link quality.

Any of the above will cause poor RSSI figures, an increase in the packet loss rate and in extreme cases complete loss of signal. Fortunately, if consideration is given to these effects at the integration stage then a good quality link will be obtained.

Guidelines for installation:

When planning installations ensure that line-of-sight between nodes is maintained and that objects or structures are kept at least one metre away from antennae wherever possible.

Range

Radio range has been measured as 800 m line of sight in an open field site where the transmitter was 3 m from the ground and the receiver was 1.5 m from the ground.

This range will be reduced when transmitters or receivers are close to metallic structures or close to the ground. Walls and floors will also reduce the achievable range in indoor environments.



BW-BSd has a range of 500 m



Modules manufactured before July 2015 have a range of 200 m



In regions where FCC transmission power levels are allowed the Broadweigh toolkit allows radio modules to be power boosted to within acceptable FCC power density limits. This will reduce battery life but will give a range of 1.4 km

Appendix C - Radio Specification

The following specification applies to all Broadweigh modules.

	Min	Typical	Max	Units
License		License Exempt		
Modulation method		MS (QPSK)		
Radio type		Transceiver (2 way)		
Data rate		250		k bits/sec
Radio Frequency	2.4000		2.4835	GHz
Power		10		mW
Channels (DSSS)		15		

For radio range information See [Appendix B – Antenna Range](#)

Appendix D – Conditions of Use

The working load limit (WLL) of Broadweigh shackles and TwistLinks assumes the absence of exceptionally hazardous conditions. These include offshore activities, lifting of persons and lifting of potentially dangerous loads such as molten metals. With every use the degree of hazard should be assessed by a competent person and the safe working load (SWL) reduced accordingly from the working load limit.

Please remember that Broadweigh does not give advice as to how the data from Broadweigh shackles is used. All lifting operations are different and must be supervised by suitably qualified and experienced riggers. It is the user's responsibility to ensure conformity with local regulations and legislation.

Broadweigh requires that the integrator fully assess product suitability as part of any control system and that Broadweigh products are used within their published parameters at all time.

Broadweigh shackle assemblies are subjected to a 150 % proof load (static test coefficient of 1.5) before being calibrated, however the product should never be used above the WLL. If the WLL is exceeded the unit should be removed from use and a Broadweigh representative contacted.

Appendix E – Approval Statements

CE



Complies with EMC directive. 2014/30/EU
The Radio Equipment Directive, 2014/53/EU,

European Community, Switzerland, Norway, Iceland, and Liechtenstein

English:	This equipment is in compliance with the essential requirements and other relevant provisions of Directive 1'
Deutsch:	Dieses Gerät entspricht den grundlegenden Anforderungen und den weiteren entsprechenden Vorgaben der Richtlinie 2014/53/EU.
Dansk:	Denne udstyr er i overensstemmelse med de væsentlige krav og andre relevante bestemmelser i Direktiv 2014/53/EU.
Español:	Este equipo cumple con los requisitos esenciales así como con otras disposiciones de la Directiva 2014/53/EU.
Français:	Cet appareil est conforme aux exigences essentielles et aux autres dispositions pertinentes de la Directive 2014/53/EU.
Íslenska:	Þessi búnaður samrýmist lögboðnum kröfum og öðrum ákvæðum tilskipunar 2014/53/EU.
Italiano:	Questo apparato é conforme ai requisiti essenziali ed agli altri principi sanciti dalla Direttiva 2014/53/EU.
Nederlands:	Deze apparatuur voldoet aan de belangrijkste eisen en andere voorzieningen van richtlijn 2014/53/EU.
Norsk:	Denne utstyret er i samsvar med de grunnleggende krav og andre relevante bestemmelser i EU-direktiv 2014/53/EU.
Português:	Este equipamento satisfaz os requisitos essenciais e outras provisões da Directiva 2014/53/EU.
Suomalainen:	Tämä laite täyttää direktiivin 2014/53/EU oleelliset vaatimukset ja on siinä asetettujen muidenkin ehtojen mukainen.
Svenska:	Denna utrustning är i överensstämmelse med de väsentliga kraven och andra relevanta bestämmelser i Direktiv 2014/53/EU.

This equipment is in compliance with the essential requirements and other relevant provisions of Directive 2014/53/EU.

Alternative antennas may be used but those with a gain exceeding 3 dBi are strictly prohibited.

Manufactured in the UK by: Mantracourt Electronics Ltd, The Drive, Farringdon, Exeter, Devon, EX5 2JB, UK



IC:7224A-RA24

This device complies with Industry Canada licence-exempt RSS standard(s). Operation is subject to the following two conditions: (1) this device may not cause interference, and (2) this device must accept any interference, including interference that may cause undesired operation of the device.

Under Industry Canada regulations, this radio transmitter may only operate using an antenna of a type and maximum (or lesser) gain approved for the transmitter by Industry Canada. To reduce potential radio interference to other users, the antenna type and its gain should be so chosen that the equivalent isotropically radiated power (e.i.r.p.) is not more than that necessary for successful communication.

This radio transmitter RA24 has been approved by Industry Canada to operate with the antenna types listed below with the maximum permissible gain and required antenna impedance for each antenna type indicated. Antenna types not included in this list, having a gain greater than the maximum gain indicated for that type, are strictly prohibited for use with this device.

Antenna	Gain (dBi)	Antenna Type	Manufacturer/Vendor
Ant A	3	Inverted F	Mantracourt
Ant C	2.2	½ wave Dipole	Mantracourt
Integrated	1.3	Chip antenna	Mantracourt

To comply with Industry Canada RF radiation exposure limits for general population, the antenna(s) used for this transmitter must be installed such that a minimum separation distance of 5 cm is maintained between the radiator (antenna) and all persons at all times and must not be co-located or operating in conjunction with any other antenna or transmitter.

Manufactured in the UK by: Mantracourt Electronics Ltd, The Drive, Farringdon, Exeter, Devon, EX5 2JB, UK



Family: RA24
Models: i and e

FCC ID:VHARA24

This device complies with Part 15 of the FCC Rules.

Operation is subject to the following two conditions:

- (1) This device may not cause harmful interference, and
- (2) This device must accept any interference received, including interference that may cause undesired operation.

This equipment complies with FCC radiation exposure limits set forth for an uncontrolled environment. End users must follow the specific operating instructions for satisfying RF exposure compliance. This transmitter must not be co-located or operating in conjunction with any other antenna or transmitter.

Changes or modifications not expressly approved by the party responsible for compliance could void the user's authority to operate the equipment

For use with antennas: integrated, T24-ANTA, T24-ANTB, T24-ANTC, T24-ANTD, T24-ANTE antennas and those listed in the table below.

Manufacturer Code	Description	Gain	Available From
DELTA7A	Dual band 2.4 or 5.8GHz Hinged mount whip	2.1dBi	Sequoia
DELTA14	Stubby WiFi / WLAN Antenna	2.0dBi	Sequoia
DELTA15/SMAM/RA/RP11	2.4GHz Right angle RPSMA	2.0dBi	Sequoia
1699481	AUREL ANT.RP SMA 2.4GHz	2.0dBi	Farnell Electronic Components
537-785	EAD, FBKR35068-RS-KR WiFi Antenna	2.0dBi	RS Components

Manufactured in the UK by: Mantracourt Electronics Ltd, The Drive, Farringdon, Exeter, Devon, EX5 2JB, UK

Appendix F - OEM / Reseller Marking and Documentation Requirements

CE

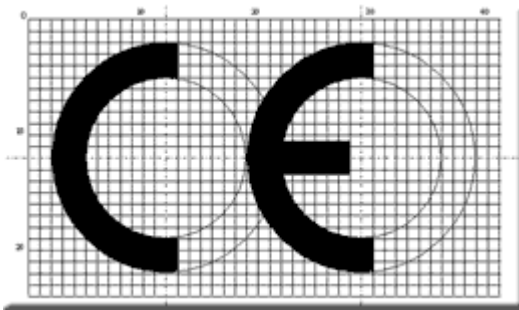
The Broadweigh series has been certified for several European countries.

If the transmitter module is incorporated into a product, the manufacturer must ensure compliance of the final product to the European harmonized EMC and low-voltage/safety standards. A Declaration of Conformity must be issued for each of these standards and kept on file as described in Annex II of the R&TTE Directive. Furthermore, the manufacturer must maintain a copy of the Broadweigh device user manual documentation and ensure the final product does not exceed the specified power ratings, antenna specifications, and/or installation requirements as specified in the user manual. If any of these specifications are exceeded in the final product, a submission must be made to a notified body for compliance testing to all required standards.

OEM Labelling Requirements

The 'CE' marking must be affixed to a visible location on the OEM product.

The CE mark shall consist of the initials "CE" taking the following form:



- If the CE marking is reduced or enlarged, the proportions given in the above drawing must be respected.
- The CE marking must have a height of at least 5 mm except where this is not possible on account of the nature of the apparatus.
- The CE marking must be affixed visibly, legibly, and indelibly.

The RA24 Module has been certified for integration into products only by OEM integrators under the following conditions:

1. The antenna(s) must be installed such that a minimum separation distance of 5cm is maintained between the radiator (antenna) and all persons at all times.
2. The transmitter module must not be co-located or operating in conjunction with any other antenna or transmitter.

As long as the two conditions above are met, further transmitter testing will not be required. However, the OEM integrator is still responsible for testing their end-product for any additional compliance requirements required with this module installed (for example, digital device emissions, PC peripheral requirements, etc.).

IMPORTANT NOTE: In the event that these conditions cannot be met (for certain configurations or co-location with another transmitter), then Industry Canada certification is no longer considered valid and the IC Certification Number cannot be used on the final product. In these circumstances, the OEM integrator will be responsible for re-evaluating the end product (including the transmitter) and obtaining a separate Industry Canada authorization.

End Product Labelling

The RA24 Module is labelled with its own IC Certification Number. If the IC Certification Number is not visible when the module is installed inside another device, then the outside of the device into which the module is installed must also display a label referring to the enclosed module. In that case, the final end product must be labelled in a visible area with the following:

Contains Model RA24 Radio (2.4 GHz), IC:7224A-RA24

The OEM of the RA24 Module must only use the approved antenna(s) listed above, which have been certified with this module.

The OEM integrator has to be aware not to provide information to the end user regarding how to install or remove this RF module or change RF related parameters in the user's manual of the end product.

The user's manual for the end product must include the following information in a prominent location:

"To comply with Industry Canada RF radiation exposure limits for general population, the antenna(s) used for this transmitter must be installed such that a minimum separation distance of 5 cm is maintained between the radiator (antenna) and all persons at all times and must not be co-located or operating in conjunction with any other antenna or transmitter."

FCC

The Original Equipment Manufacturer (OEM) must ensure that FCC labelling requirements are met. This includes a clearly visible label on the outside of the final product enclosure that displays the contents as shown:

Contains FCC ID:VHARA24

- This device complies with Part 15 of the FCC Rules.
Operation is subject to the following two conditions:
(1) This device may not cause harmful interference, and
(2) This device must accept any interference received, including interference that may cause undesired operation.
- This equipment complies with FCC radiation exposure limits set forth for an uncontrolled environment. End users must follow the specific operating instructions for satisfying RF exposure compliance. This transmitter must not be co-located or operating in conjunction with any other antenna or transmitter.
- Changes or modifications not expressly approved by the party responsible for compliance could void the user's authority to operate the equipment

When integrated in OEM products, fixed antennas require installation preventing end-users from replacing them with non-approved antennas. Antennas other than T24-ANTA, T24-ANTB, T24-ANTC, T24-ANTD, T24-ANTE and those listed below, must be tested to comply with FCC Section 15.203 (unique antenna connectors) and Section 15.247 (emissions).

Manufacturer Code	Description	Gain	Available From
DELTA7A	Dual band 2.4 or 5.8GHz Hinged mount whip	2.1dBi	Sequoia
DELTA14	Stubby WiFi / WLAN Antenna	2.0dBi	Sequoia
DELTA15/SMAM/RA/RP11	2.4GHz Right angle RPSMA	2.0dBi	Sequoia
1699481	AUREL ANT.RP SMA 2.4GHz	2.0dBi	Farnell Electronic Components
537-785	EAD, FBKR35068-RS-KR WiFi Antenna	2.0dBi	RS Components

Transmitter modules have been certified by the FCC for use with other products without any further certification (as per FCC section 2.1091). Changes or modifications not expressly approved by Mantracourt could void the user's authority to operate the equipment.

In order to fulfil the certification requirements, the OEM must comply with FCC regulations:

1. The system integrator must ensure that the text on the external label provided with this device is placed on the outside of the final product.
2. The transmitter modules with external antennas may be used only with Approved Antennas that have been tested by Mantracourt.

Appendix G - Worldwide Regional Approvals

<i>Region</i>	Product Conforms To
Europe	CE
USA	FCC
Canada	IC

Important Note

Mantracourt does not list the entire set of standards that must be met for each country. Mantracourt customers assume full responsibility for learning and meeting the required guidelines for each country in their distribution market.

For more information relating to European compliance of an OEM product incorporating the T24 or Broadweigh range of modules, contact Mantracourt, or refer to the following web site: www.ero.dk

Appendix H - Declaration of Conformity

EU DECLARATION OF CONFORMITY

We, the undersigned:

Name of Manufacturer:

Mantracourt Electronics Ltd

Address:

The Drive, Farrington, Exeter, Devon,
EX5 2JB

Country:

United Kingdom

Declare under our sole responsibility that the Broadweigh Product Range is in conformity with the following relevant Union harmonisation legislation:

LVD Directive 2014/35/EU

EMC Directive 2014/30/EU

RoHS Directive 2011/65/EU

Radio Equipment Directive 2014/53/EU

Machinery Directive 2006/42/EC

Based on the following harmonised standards:

EN 61326-1:2013

EN 61326-2-3:2013

EN 61010-1:2010

EN 300328 V2.1.1

Name and position of person binding the manufacturer or authorised representative:

Signed

Name:

Robert Willmington-Badcock

Function:

Managing Director

Location:

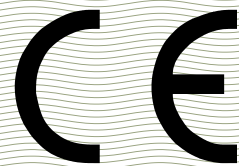
Mantracourt Electronics Ltd

Date of issue:

2nd November 2018

FCC ID: VHARA24

IC:7224A-RA24



Warranty

All Broadweigh products from Mantracourt Electronics Ltd., ('Mantracourt') are warranted against defective material and workmanship for a period of one (1) year from the date of dispatch.

If the 'Mantracourt' product you purchase appears to have a defect in material or workmanship or fails during normal use within the period, please contact your Distributor, who will assist you in resolving the problem. If it is necessary to return the product to 'Mantracourt' please include a note stating name, company, address, phone number and a detailed description of the problem. Also, please indicate if it is a warranty repair.

The sender is responsible for shipping charges, freight insurance and proper packaging to prevent breakage in transit.

'Mantracourt' warranty does not apply to defects resulting from action of the buyer such as mishandling, improper interfacing, operation outside of design limits, improper repair or unauthorised modification.

No other warranties are expressed or implied. 'Mantracourt' specifically disclaims any implied warranties of merchantability or fitness for a specific purpose.

The remedies outlined above are the buyer's only remedies. 'Mantracourt' will not be liable for direct, indirect, special, incidental or consequential damages whether based on the contract, tort or other legal theory.

Any corrective maintenance required after the warranty period should be performed by 'Mantracourt' approved personnel only.



Document Title: Broadweigh User Manual
Applies To: Broadweigh Product Range
Part Number: 517-927
Issue Number: 03.08
Dated: 22nd June 2020

In the interests of continued product development, Mantracourt Electronics Limited reserves the right to alter product specifications without prior notice.



www.mantracourt.com