

Technical data sheet - Stanza



Description

A spacious and supportive auditorium chair suitable for VIP areas, theatres, cinemas, lecture theatres and arenas.

Features

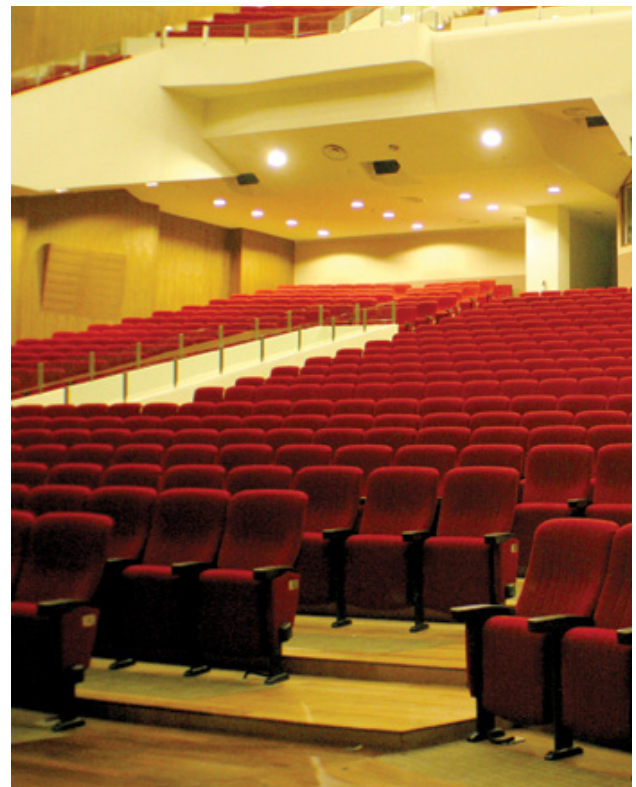
- Designed for comfort with good lumbar support
- Enclosed, damped, spring-tip mechanism for safety and smooth, silent action
- Choice of standard, long or cupholder arms
- Optional writing tablet
- Removable upholstery for ease of maintenance
- Co-ordinating upholstered end panels

Seat Widths (Centre to Centre)

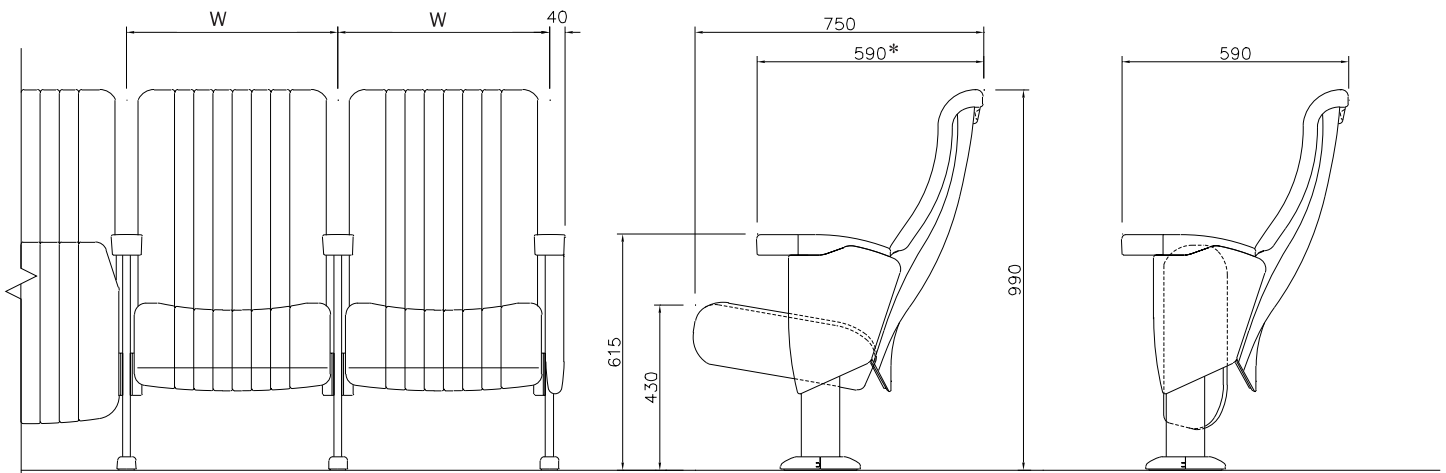
Short arm chair: 500mm - 550mm

Long arm / cupholder chair: 540mm, 550mm

Writing tablet chair: 550mm

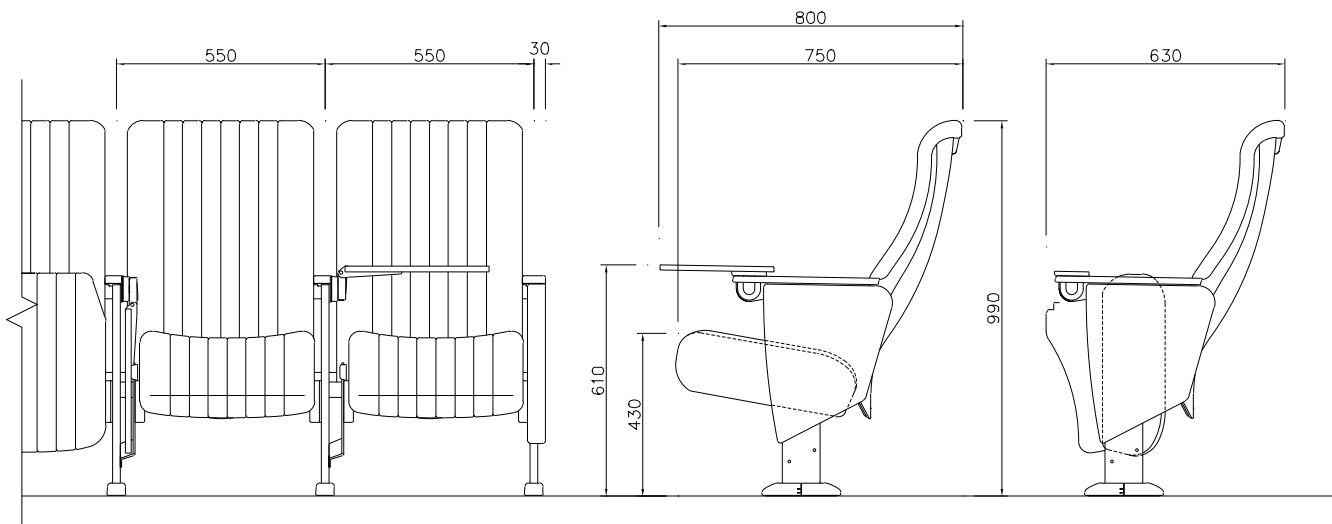


Stanza: Standard



*Note: Long armrest shown. For shorter armrest, this dimension is 515mm. For cupholder arm, this dimension is 625mm.

Stanza: With Writing Tablet



Standard Specification

- Seat: Pressed steel frame with serpentine springs. Moulded polyurethane foam upholstered with quilted removable cover.
- Back: Moulded polyurethane foam upholstered with quilted removable cover.
- Tipping Mechanism: Damped, self rising spring tip mechanism.
- Armrests: Moulded plastics, colour black.
- End Panels: Polyurethane foam, upholstered.
- Steelwork Finish: Powder coated finish, standard colour black.
- Fabric: To customer specification.
- Writing Tablet: Melamine laminated plywood. Anti-panic folding mechanism.



Cupholder arm