

Technical data sheet - Espace 628



Fully upholstered model with timber armrests (special finish)



Timber under-seat panels



Rear view of fully upholstered model



Curved timber armrest (with extra padded seat)



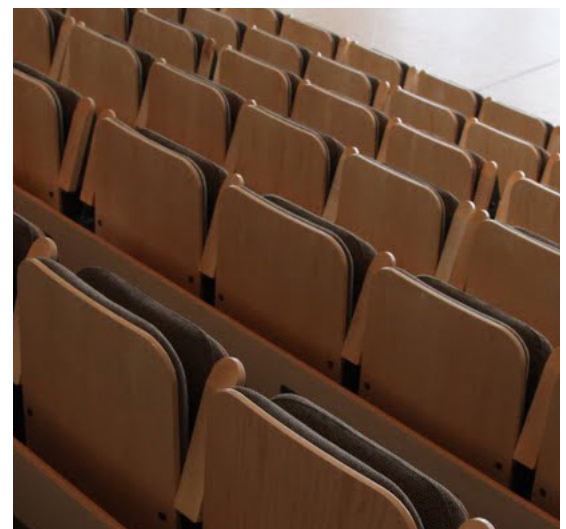
Plastic rear panels (shown in grey)

Description

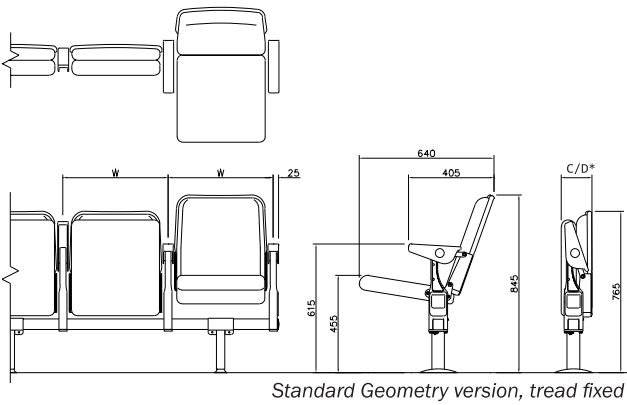
The Espace 628 is a classic, versatile chair suitable for use on fixed tiering, retractable platforms, or on the removable "Matrix" system. Its unique tipping action creates wide, safe seatways when chairs are unoccupied. Protective panels (in timber or plastic) are available for the rear or under the seat, providing excellent wear resistance.

Features

- Self tipping design with auto-tip armrest
- Compact dimensions when closed
- Suitable for use on min 260mm row rise / 800mm row depth telescopic platforms
- Strength: certified to BS EN 12727:2000 Level 4
- Optional sprung seat core for outstanding support
- Wide range of options and enhancements



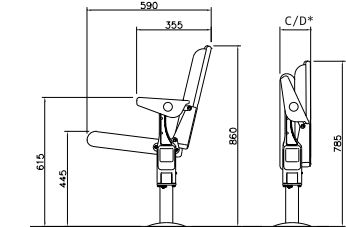
Timber rear panels



Standard Geometry version, tread fixed

Models shown have plastic outer back panel.

*C/D (Closed Depth) = 145mm without plastic outer back panel; 150mm with plastic outer back panel.



Upright Geometry version, tread fixed

Seat widths

480, 490, 500, 510, 520, 530, 540, 550mm (upholstered back)

480, 500, 520mm (with plastic panel to rear)

Fixing methods

Beam mounted (tread or riser fixed), fold-down (for TX Telescopic Platforms) or matrix (for flat floor configurations).

Telescopic System Parameters

When mounted on a telescopic (retractable) system:

Minimum row depth = 800mm (850mm recommended for comfort)

Minimum row rise = 260mm (Add 20mm for 628T or timber back)

Finishes

Metal parts

Epoxy polyester powder coat, matt black RAL 9005.

Seat and back

Upholstered in fabric to customer choice and availability. Plastic seat and back covers in black RAL 9005.

Specification

Seat

50mm polyurethane CMHR / CME foam on 15mm plywood core OR sprung core, upholstered. Optional protection panel to the underside in injection moulded black polypropylene or veneered timber.

Backrest

45mm polyurethane fabricated CMHR / CME foam on 12mm thick preformed plywood, upholstered. Optional protection panel to the outer back in injection moulded black polypropylene or veneered timber.

Chair frame

Die cast one piece aluminium arm stanchion incorporating seat pivot assembly clamped to 50 x 50 x 2.5mm steel tube cross beam.

Armrest

One piece black ABS injection moulding. Options – timber, curved timber or upholstered.

Seat tip up mechanism

Counterweight tip up.

Tube end plugs

Injection moulded low density polyethylene.

Standards

Strength and stability

The chair has been tested and certified to BS EN 12727:2000 level 4.

Flammability

Upholstery fabric and foam comply with BS 5852 1990 (sources BS EN 1021-1, 0; BS EN 1021-2, 1 and 5) or European or other standards as specified.

Variations

The following variations are available:

- Upright backrest geometry for correct posture in upper tiers
- High back model - see separate data sheet
- “CC” (Concert Comfort) model with thick, sprung seat for long term seated comfort - see separate datasheet
- Fixed back model suitable for arena environments, where the back does not move as the seat is tipped up.
- Espace 628T with fold away writing tablet - see separate datasheet.

Accessories

- Seat dampner for soft action seat closing
- Timber outer back / under seat panels
- Seat numbers
- Aisle letters
- Cupholder



Plastic under-seat panels and upholstered armrests



High back “CC” model and 628T model (see separate datasheets)