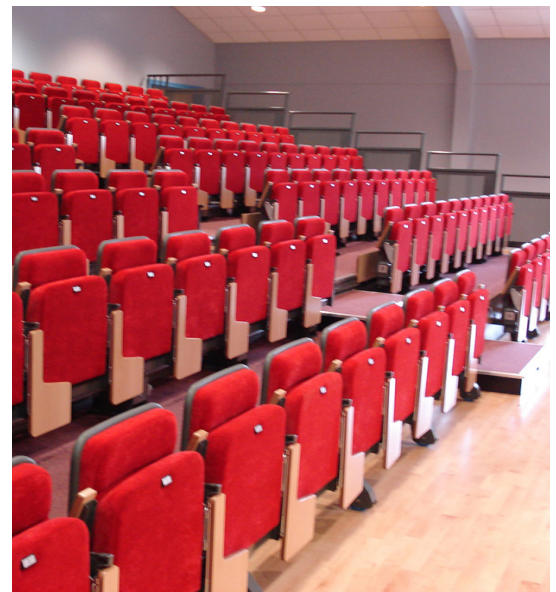


Technical data sheet - Espace 628 High Back



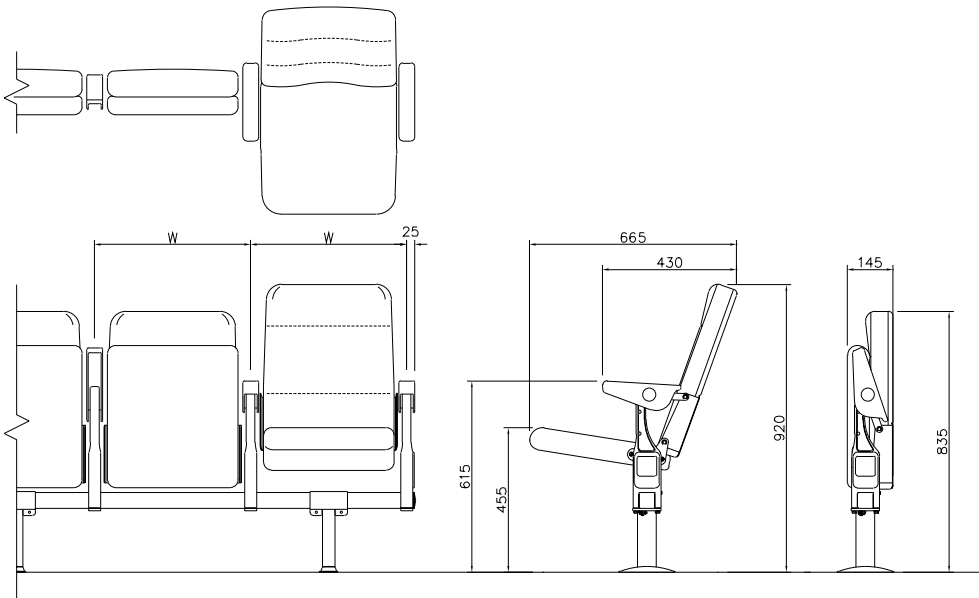
Description

Offering all the styling and comfort of an auditorium chair combined with complete flexibility, the Espace 628 High Back is suitable for both fixed and telescopic installations. Its unique tipping action creates seated areas with wide, safe seatways.

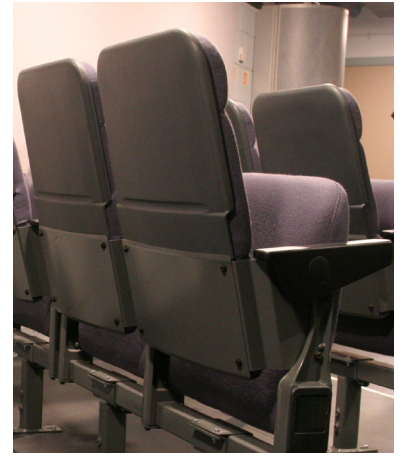
Features

- Self tipping design, with auto tip armrest and the backrest acting as a counterweight
- Compact dimensions when closed
- High backrest for concert-level comfort
- Optional protective plastic panels to rear and seat
- Optional sprung seat core for outstanding support
- Available with writing tablet (see reverse)

Pictures show (clockwise, from top left): 628 High Back chairs on TX Telescopic Platform System; fully upholstered tread fixed chairs with ABS arms; Rear view of fully upholstered chairs with curved timber arms; 628 High Back with plastic panels (shown in grey) and writing tablets.



Drawing shows beam mounted (tread fixed) chairs with no plastic protection panels to the seat or rear. Height measurements are taken at chair centre. All dimensions are nominal.



Fixed back model with plastic panel to the rear (shown in grey).

Seat widths

480, 490, 500, 510, 520, 530, 540, 550mm (without plastic panel to rear)

480, 500, 520mm (with plastic panel to rear)

Fixing methods

Beam mounted (tread or riser fixed), fold-down (for TX Telescopic Platforms) or matrix (for flat floor configurations).

Finishes

Metal parts

Epoxy powder coat, matt black RAL 9005.

Seat and back

Upholstered in fabric to customer choice and availability. Plastic seat and back covers in black RAL 9005..

Armrest

Standard black ABS (options - timber or upholstered).

Specification

Seat

50mm polyurethane CMHR/CME foam on 15mm plywood core OR Pullmaflex core, all fully upholstered. Optional protection panel to the underside is injection moulded black polypropylene.

Backrest

Composite CMHR/CME foam, 45 - 80mm thick on 12mm thick preformed plywood, upholstered. Optional protection panel to the rear is injection moulded black polypropylene.

Chair frame

Die cast one piece aluminium arm stanchion incorporating seat pivot assembly clamped to 50 x 50 x 2.5mm steel tube cross beam.

Armrest

One piece black ABS injection moulding. Options - timber or upholstered.

Seat tip up mechanism

Counterweight tip up.

Tube end plugs

Injection moulded low density polyethylene.

Standards

Strength and stability

The chair satisfies the requirements of BS EN 12727:2000 (Tests 6.3, 6.4, 6.5, 6.6, 6.7, 6.8, 6.9, 6.11, 6.13, 6.14) to level 4 (severe).

Flammability

Upholstery fabric and foam comply with BS 5852 1990 (sources BS EN 1021-1, 0; BS EN 1021-2, 1 and 5) or European or other standards as specified.

Options, variations and accessories

Accessories

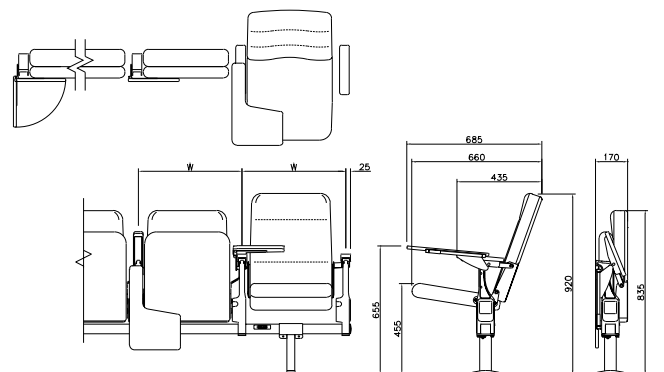
- Seat dampner for soft action seat closing
- Timber outer back
- Seat numbers
- Aisle letters
- Cupholder

Variations

- Upright backrest geometry can be specified for correct posture in upper tiers.
- A fixed back version suitable for arena environments is available, where the back does not move as the seat is tipped up.

Espace 628T High Back with writing tablet

Specification as standard model. A beech veneered MDF tablet with polyurethane lacquer finish is attached to the armrest.



Drawing shows beam mounted (tread fixed) chairs. Height measurements are taken at chair centre. All dimensions are nominal.

Audience Systems Ltd reserves the right to change the design, specification or price of products without prior notice.