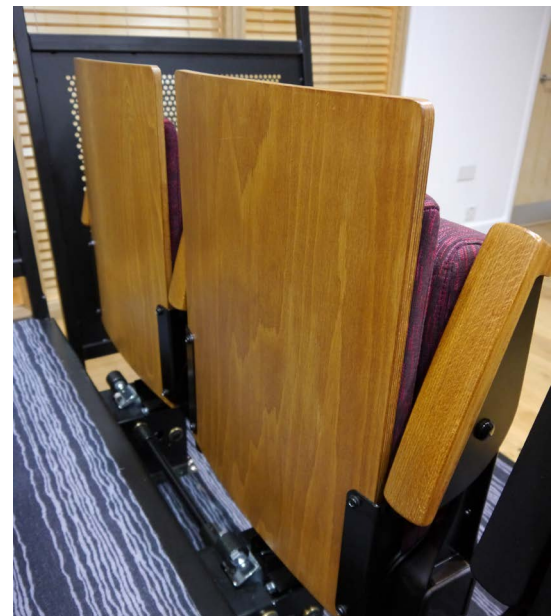


Technical data sheet - Eclipse



Description

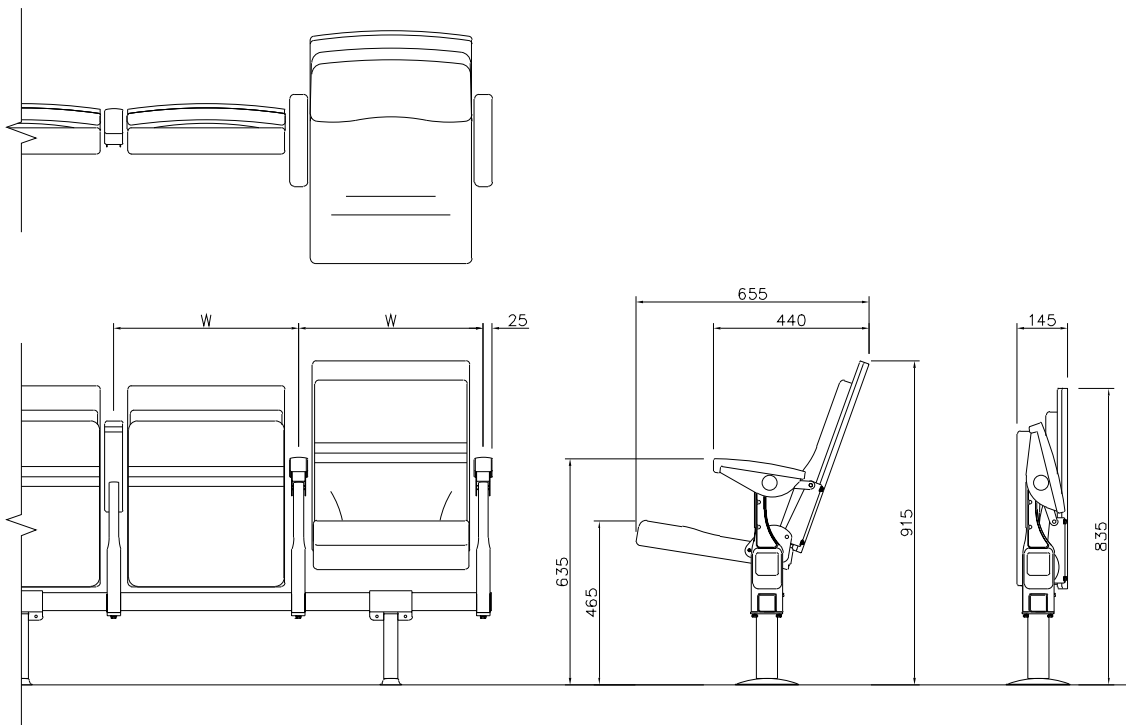
This beautifully finished model is suitable for use on retractable systems, but also as a fixed or removable chair.

It's based on our popular and innovative gravity tip mechanism, which means that despite its elegant appearance, it folds into a small and neat closed envelope, with armrests tipping automatically.

On retractable platforms, a semi-automatic version of the chair can be specified for ease of operation. The chairs fold down automatically when the platforms are closed, and can be picked up again by hand in groups of up to 14.

Features

- Self tipping design, with auto tip armrest and the backrest acting as a counterweight
- Suitable for use on retractable seating systems with a row rise as low as 260mm
- Compact dimensions when closed
- Elegant, high-backed design complete with curved show wood panel to rear
- Solid wood armrests with contemporary shaping
- Sharp stitch detailing throughout



Drawing shows beam mounted (tread fixed) chairs.
Height measurements are taken at chair centre. All dimensions are nominal.

Seat widths

480, 490, 500, 510, 520, 530, 540, 550, 560, 570mm

Fixing methods

Beam mounted (tread or riser fixed), fold-down (for TX Telescopic Platforms) or matrix (for flat floor configurations).

Specification

Seat

43-53mm thick shaped polyurethane CMHR/CME foam on 12mm plywood core with three parallel stitch lines to topside and underside.

Backrest

Composite shaped polyurethane CMHR/CME foam, 30-50mm thick on 12mm thick preformed plywood, upholstered in fabric to customer choice and availability, with three parallel stitch lines to front.

Show wood panel in 12mm preformed plywood, with real wood veneered finish (in beech as standard).

Frame

Die cast one piece aluminium arm stanchion incorporating seat pivot assembly clamped to 50 x 50 x 2.5mm steel tube cross beam. Epoxy powder coat finish, colour matt black RAL 9005.

Armrest

Solid timber with clear lacquer finish.

Seat tip up mechanism

Counterweight tip up.

Tube end plugs

Injection moulded low density polyethylene.

Standards

Strength and stability

The chair satisfies the requirements of BS EN 12727:2000 (Tests 6.3, 6.4, 6.5, 6.6, 6.7, 6.8, 6.9, 6.11, 6.13, 6.14) to level 4 (severe).

Flammability

Upholstery fabric and foam comply with BS 5852 1990 (sources BS EN 1021-1, 0; BS EN 1021-2, 1 and 5) or European or other standards as specified.

Retractable System Dimensions

If the Eclipse chair is used on a retractable seating system, the minimum row rise is 10¼", and the minimum row depth is 33½".

Options, variations and accessories

Accessories

Seat numbers

Aisle letters

Variations

Upright backrest geometry can be specified for correct posture in upper tiers.

A fixed back version suitable for arena environments is available, where the back does not move as the seat is tipped up.