

Uniclass L8411	EPIC Q411
CI/SfB 5	(72.6) X

## Technical data sheet - Campus Fold-Down System

### Description

Campus Fold-Down is a flexible lecture theater seating system ideal for use in multipurpose teaching spaces and auditoria. It can be used in conjunction with our TX Telescopic Platform System to create a fully retractable tiered lecture theater, or with our Matrix system to create a removable lecture theatre for a flat floor.

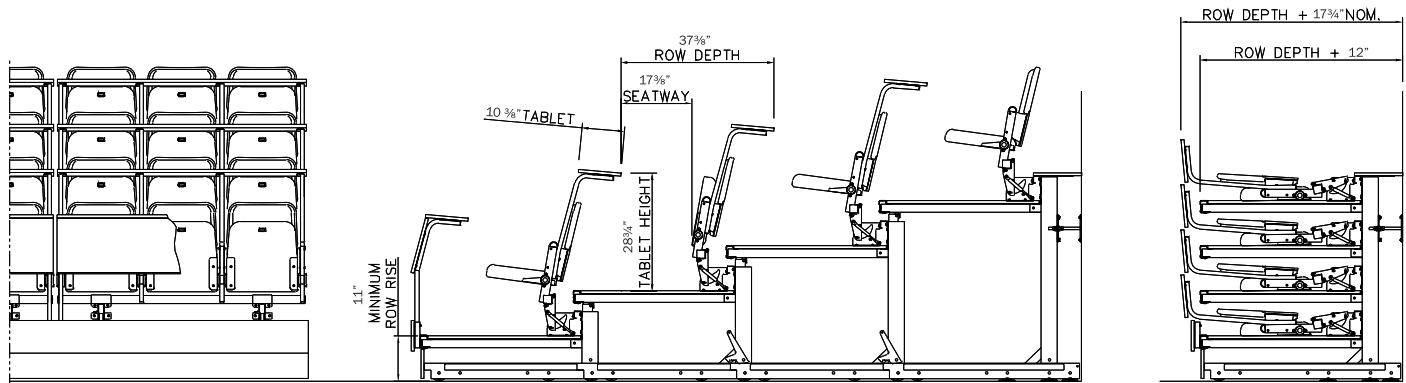
### Features

- Combines the usability of lecture theater seating with the flexibility of a telescopic or removable system.
- Integral continuous writing tablet, which, on retractable platforms, forms the front fascia of the unit when closed.
- Durable steel frame.



Top three photos show Campus Fold-Down on TX Telescopic Platform System.

Bottom photo shows same chairs in use with Matrix removable seating system.



Drawing shows example system using 11" row rise and 37 3/8" row depth. Dimensions will vary according to individual requirements, please ask Audience Systems for details. Chair heights are shown at seat centre. All dimensions are nominal.

---

## Specification

### Seat specification

50mm polyurethane CMHR/CME foam on 15mm plywood core, all fully upholstered in fabric to customer choice and availability. Optional protection panel to the underside is injection molded polypropylene, black RAL 9005.

Optional pocket sprung seat has plywood core with pocket coiled springs, with polyurethane CH foam wrap, fully upholstered.

### Backrest specification

45mm polyurethane fabricated CMHR/CME foam on 12mm thick preformed plywood, upholstered in fabric to customer choice and availability. Optional protection panel to the outer back is injection molded polypropylene, black RAL 9005.

### Chair frame

Fabricated steel construction with associated steel pressings for fixing seat and back. Epoxy polyester powder coat finish - standard colour matt black RAL 9005.

### Seat tip up mechanism

Innovative cast aluminum pivot. The seat pan automatically tips when not in use. Entire mechanism is housed in a protection cover for safety, preventing any possibility of finger entrapment.

### Tube end plugs

Injection molded low density polyethylene.

### Writing tablet

16mm birch plywood with double sided laminate, oak finish. Edges are natural plywood, with oiled finish.

Other finishes available at additional cost.

---

## Standards

### Strength and stability

The Campus Fold Down system is based on Audience Systems' Accolade chair which is tested and certified to BS EN 12727: 2000 (Level 4).

### Flammability

Upholstery fabric and foam comply with BS 5852 1990 (sources BS EN 1021-1, 0; BS EN 1021-2, 1 and 5) or other standards as specified.

The standard UV stabilised mouldings pass BS 5852 1990 (sources BS EN 1021-0 and BS EN 1021-1). Fire retardant mouldings, which comply with BS 5852 pt 2 ignition source 5 are also available in certain colours at extra cost.

---

## Options and accessories

- Seat numbers
- Aisle letters