

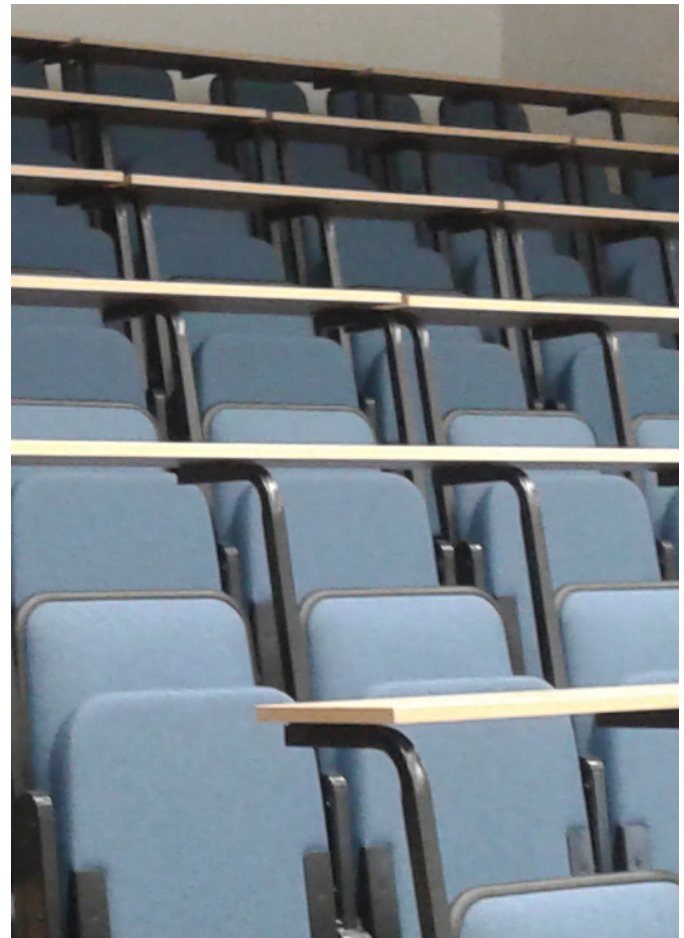
## Technical data sheet - Campus Accolade

### Description

A lecture theatre seating system featuring our popular and durable Accolade chair, a continuous writing tablet and modesty panel. Campus is suitable for mounting on both new and existing tiering, flat or angled floors.

### Features

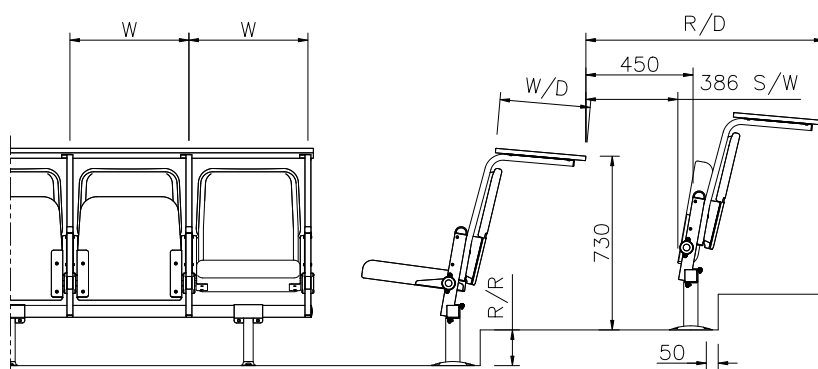
- Extremely durable chair with optional wrap-around plastic panels to prolong the life of the upholstery
- Continuous writing tablet angled for correct working position.
- Slim profile for safe and easy access
- Completely enclosed chair pivot mechanism providing exceptional reliability
- Provides comfort, quality and ease of maintenance



### Fixing methods

Tread fixed or riser fixed

### Dimensions



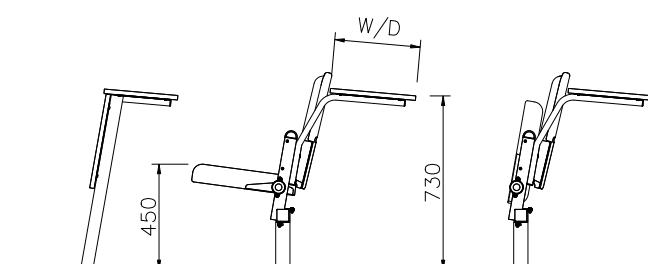
#### Seat widths (W)

450, 460, 480, 500, 520mm

#### Typical dimensions

Table shows worktop depth (W/D) for typical row depths and row rises, assuming seatway (S/W) = 386mm.

		Row rise (R/R)		
		Flat	150mm	300mm
Row depth (R/D)	900mm	260mm	280mm	280mm
	1000mm	360mm	380mm	380mm



**Key:** W = Seat width, W/D = Worksurface depth, R/D = Row depth, R/R = Row rise, S/W = Seatway

Drawing shows tread fixed chair.  
Height measurements are taken at seat centre. All dimensions are nominal.

---

## Specification

### Seat

50mm polyurethane CMHR/CME foam on 15mm plywood core, all fully upholstered in fabric to customer choice and availability. Optional protection panel to the underside is injection moulded polypropylene, black RAL 9005.

Optional pocket sprung seat has plywood core with pocket coiled springs, with polyurethane CH foam wrap, fully upholstered.

### Backrest

45mm polyurethane fabricated CMHR/CME foam on 12mm thick preformed plywood, upholstered in fabric to customer choice and availability. Optional protection panel to the outer back is injection moulded polypropylene, black RAL 9005.

### Chair frame

Fabricated steel construction with associated steel pressings for fixing seat and back. Finished in epoxy powder coat, black RAL 9005.

### Seat tip up mechanism

Innovative cast aluminium pivot. The seat pan automatically tips when not in use. Entire mechanism is housed in a protection cover for safety, preventing any possibility of finger entrapment.

### Tube end plugs

Injection moulded polyethylene, black RAL 9005.

### Writing tablet and modesty panel

16mm birch plywood with double sided melamine, finish Windsor Oak. Edges are natural plywood, with oiled finish.

Other finishes available at additional cost.

---

## Standards

### Strength and stability

The Accolade chair is tested and certified to BS EN 12727:2000 (Level 4).

### Flammability

Upholstery fabric and foam comply with BS 5852 1990 (sources BS EN 1021-1, 0; BS EN 1021-2, 1 and 5) or European or other standards as specified.

---

## Options and accessories

- Seat numbers
- Aisle letters

Audience Systems Ltd reserves the right to change the design, specification or price of products without prior notice.