

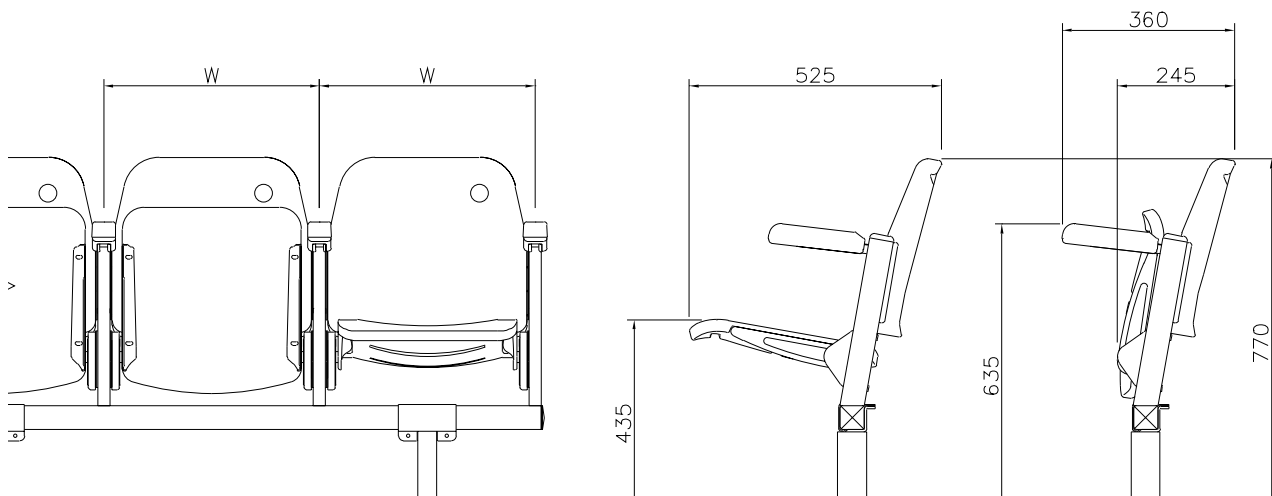
Technical data sheet - Alpha

Description

A durable and highly versatile plastic chair designed for use in stadia, multipurpose venues, schools and colleges.

Features

- Ergonomically designed, double skinned, blow moulded plastic seat and backrest
- Comfort with good lumbar support
- Slim profile for safe and easy access
- Enclosed spring-tip mechanism for safety
- Durable pressed steel frame
- Ideal for use on TX platform systems



Drawing shows beam mounted (tread fixed) chair. Height measurements are taken at chair centre. All dimensions are nominal.

Fixing methods

Tread fixed, riser fixed, beam mounted (tread or riser fixed), fold-down (for TX Telescopic Platforms) or matrix (for flat floor configurations).

Seat widths

450, 490, 510mm

Finishes

Metal parts

Epoxy powder coat, matt black RAL 9005. Other colours available on special request, please consult Audience Systems for availability.

Seat and back mouldings

Refer to Alpha colour card for standard selection. Other colours available on request.

Armrests

Black RAL 9005.

Other colours are available on special order.

Specification

Seat

Blow moulded double skinned UV stabilised high density polyethylene. Exposed surfaces have textured finish.

Backrest

Blow moulded double skinned UV stabilised high density polyethylene. Exposed surfaces have textured finish.

Chair frame

Fabricated steel construction with associated steel pressings for fixing seat and back.

Seat tip up mechanism

Heavy gauge steel pressing enclosing torsion spring. The seat pan automatically tips when not in use. Entire mechanism is housed in a protection cover for safety, preventing any possibility of finger entrapment.

Armrest

Optional armrest in blow moulded double skinned UV stabilised high density polyethylene, colour grey.

Tube end plugs

Injection moulded low density polyethylene.

Standards

Strength and stability

Tested and certified to BS EN 12727 (2000) : Level 3

Flammability

The standard UV stabilised mouldings pass BS 5852 1990 (sources BS EN 1021-0 and BS EN 1021-1). Fire retardant mouldings, which comply with BS 5852 pt 2 ignition source 5 are also available in certain colours at extra cost.

Options and accessories

- Seat numbers
- Aisle letters
- Armrests
- Cupholder

Audience Systems Ltd reserves the right to change the design, specification or price of products without prior notice