



RIGGING ACCESSORIES

SHACKLES, CHAIN CLUTCHES
REUTLINGERS, BEAM CLAMPS,
RIGGING STEELS & SOFT STEELS

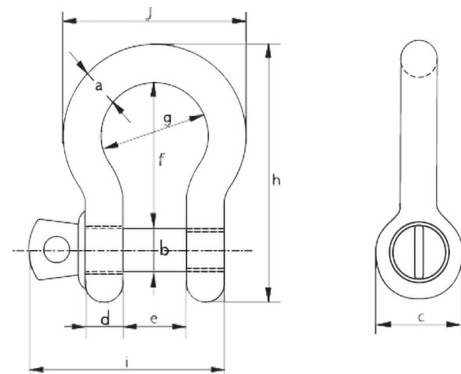


Shackles - Rigging Accessories



Key Features

- Black Powder-coat finish
- From 0,33t up to 4,75t
- According to EN 13889
- Meets US Ded. Spec RR-C-271



2

Article Code	Nominal Size	WLL t	a	b	c	d	e	f	g	h	i	j	KG
			Bow shackle with screw pin										
		Dimension mm											
802-245001	3/16	0.33	5	6	15	5	9,5	22	16	38	30	27	0,02
802-245002	1/4	0.5	6	8	18	7	12	28	19	49	38	33	0,07
802-245003	5/16	0.75	8	10	22	8	13,5	32	21	56	43	38	0,13
802-245004	3/8	1.0	10	11	26	10	17	35	25	65	52	46	0,17
802-245005	7/16	1.5	11	13	28	10	19	42	29	75	57	52	0,25
802-245006	1/2	2.0	13	16	32	13	20	47	32	86	69	59	0,44
802-245007	5/8	3.25	16	19	39	16	27	60	43	104	85	75	0,74
802-245008	3/4	4.75	19	22	47	20	32	71	50	125	100	89	1,18
			Bow shackle with safety-nut										
802-245009	1/2	2.0	13	16	32	13	21	49	33	85	73	59	0,42
802-245010	5/8	3.25	16	19	39	16	27	59	42	105	97	74	0,79
802-245011	3/4	4.75	19	22	47	19	32	73	50	125	109	89	1,26

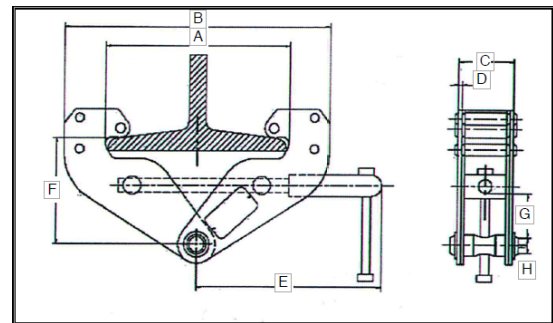


Beam Clamps - Rigging Accessories



Key Features

- Available in 1&2 & 3t WLL
- Black finish
- Safety factor 4:1
- Flange range 75 up to 320mm



Article Code	802-243101	802-243102	802-243103
Model	BC1TBL	BC2TBL	BC3TBL
Working Load Limit	1t	2t	3t
I-Beam Width mm	75 - 230	75 - 230	80 - 320
A max mm	278	278	356
B min mm	182	182	220
B max mm	380	380	500
C mm	64	76	100
D mm	4	6	8
E mm	217	217	277
F min mm	150	150	220
F max mm	90	90	145
G min mm	26	26	50
H mm	19	21	23
Dimensions packaging mm	450 x 220 x 120	450 x 220 x 120	540 x 220 x 150
Weight KG	4	5	10



Rigging Steels - Rigging Accessories



Key Features

- Color coated thimbles
- 2 thimble sizes for 3,25 & 4,75t shackles
- Reinforced profile thimbles
- +/- 5mm tolerance on length*
- 6 x 36WS + IWRC 1960N/mm²
- Conical ferrule inc inspection hole
- Optional black steel wire rope
- Optional reinforced transparent hose
- Optional attachments Hook/Masterlink
- Wire diameters 6, 8, 10, 12, 14, 16mm
- Company name engraved**
- Manufactured according to EN 13414-

*to maximum 8m assembly working length
 **Minimum order quantity 100 units



Orange	
Green	
Blue	
Black	
White	
Yellow	
Red	
Brown	

Article Code	Product
802-241100	Rigging Steel 1t 0,5m EWL
802-241101	Rigging Steel 1t 0,75m EWL
802-241102	Rigging Steel 1t 1,0m EWL
802-241103	Rigging Steel 1t 1,5m EWL
802-241104	Rigging Steel 1t 2,0m EWL
802-241105	Rigging Steel 1t 2,5m EWL
802-241106	Rigging Steel 1t 3,0m EWL
802-241107	Rigging Steel 1t 4,0m EWL
802-241108	Rigging Steel 1t 5,0m EWL
802-241109	Rigging Steel 1t 6,0m EWL
802-241110	Rigging Steel 1t 7,0m EWL
802-241111	Rigging Steel 1t 7,5m EWL
802-241112	Rigging Steel 1t 8,0m EWL
802-241113	Rigging Steel 1t 9,0m EWL
802-241114	Rigging Steel 1t 10,0m EWL



Soft Steels - Rigging Accessories



Key Features

- 2000kg SWL
- Black Cover
- Safety factor 5 : 1
- 24 x 2mm 7 x 19 SWR
- Double copper ferrule
- Inspection-hole with Velcro cover
- EN 13414-1 & EN 13411 & EN 13411-1*
- Grey identification label with user instruction
- Available languages UK, DE, ES, NL, SE
- BGV-C1 Approval**
- Optional company logo on label***

* Where applicable

**With german label only

***Minimum order quantity 100 units Black/white

Article Code	Product
802-242001	Softsteel black 2t SWL. EWL 0,5m
802-242002	Softsteel black 2t SWL. EWL 1m
802-242003	Softsteel black 2t SWL. EWL 1,5m
802-242004	Softsteel black 2t SWL. EWL 1,6m
802-242005	Softsteel black 2t SWL. EWL 2m
802-242006	Softsteel black 2t SWL. EWL 2,5m
802-242007	Softsteel black 2t SWL. EWL 3m

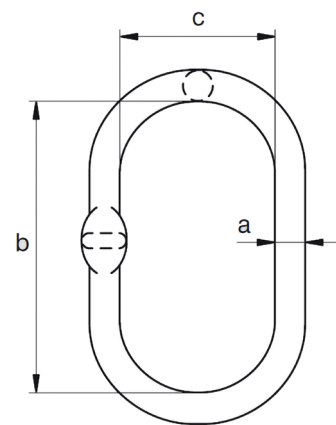


Master & Pearlinks- Rigging Accessories



Key Features

- Master link 1, 12 & 2t WLL
- Pear link 3,2 & 5,6t WLL
- Safety factor 4 : 1
- EN 1677-4
- CE & Badge code marked
- Grade 8
- Matt Black Finish



6

Model	Master link black 13mm. Grade 80	Master link black 16mm. Grade 80	Pearlink Black 3,2t WLL	Pearlink Black 5,6t WLL
Article Code	802-246001	802-246002	802-246003	802-246004
Working Load Limit	1. 12t	2t	3,2t	5,6t
a Diameter mm	13	16	12	19
b Inner Length mm	110	130	75	112
c Inner Width mm	55	72	50&25	75&35
Weight Kg	0,33	0,6	0,2	0,8



Chain Clutch - Rigging Accessories



Key Features

- Grade 80 Matt Black components
- Grade 80 EN818-2 chain
- 1t SWL 6mm chain diameter
- 2t SWL 8mm chain diameter
- Customer name labeling
- 2m Standard length
- Optional Clutch-hook with locking

Model	Chainclutch 1T SWL 2,0m EWL Black master link & Hook	Chainclutch with lock 1T SWL 2,0m EWL Black master link & Hook	Chainclutch 2T SWL 2,0m EWL Black master link & Hook	Chainclutch with lock 2T SWL 2,0m EWL Black master link & Hook
Article Code	802-249901	802-249902	802-249903	802-249904





Reutlinger Type 50 - Rigging Accessories



SKU: 802-243500

Reutlinger type 50 SV III, integrated ring

- Max load capacity Ø4mm: 60kg
- Max load capacity Ø5mm: 90kg
- Diameter: 25mm
- Bore diameter: 30mm
- External diameter: 54mm
- Total length: 104mm



SKU: 802-243501

Reutlinger type 50 SV III, M12

- Max load capacity Ø4mm: 60kg
- Max load capacity Ø5mm: 90kg
- Diameter: 25mm
- Total length: 70mm
- Thread length: 17mm
- Connecting thread: 54mm



SKU: 802-243502

Reutlinger type 50 SV III ZW, M12i

- Max load capacity Ø4mm: 60kg
- Max load capacity Ø5mm: 90kg
- Diameter: 25mm
- Total length: 89mm
- Thread depth: 10mm
- Connecting thread: M12



SKU: 802-243503

Reutlinger type 50 SV III ZW, with fork 14x28

- Max load capacity Ø4mm: 60kg
- Max load capacity Ø5mm: 90kg
- Diameter: 25mm
- Total length: 145mm
- Usable fork length: 28mm



SKU: 802-243504

Reutlinger type 50 SV III ZW, with halfcoupler

- Max load capacity Ø4mm: 60kg
- Max load capacity Ø5mm: 90kg
- Diameter: 25mm
- Total length: 130mm
- With Doughty half coupler slim line: 45-50mm



SKU: 802-243505

Reutlinger type 50 SV III ZW, M12 with fork 14x28

- Max load capacity Ø4mm: 60kg
- Max load capacity Ø5mm: 90kg
- Diameter: 25mm
- Total length: 122mm
- Usable fork length: 2mm



SKU: 802-243506

Reutlinger type 50 SV III ZW, ring nut M12

- Max load capacity Ø4mm: 60kg
- Max load capacity Ø5mm: 90kg



Reutlinger Type 66 - Rigging Accessories



SKU: 802-243510

Reutlinger type 66 SV III, ring with safety nut

- Max load capacity Ø6mm: 135kg
- Diameter: 34mm
- Bore diameter: 35mm
- External diameter 63mm
- Total length: 110mm



SKU: 802-243511

Reutlinger type 66 SV III, M16 with safety nut

- Max load capacity Ø6mm: 135kg
- Diameter: 34mm
- Total length: 68mm
- Thread length: 20mm
- Connecting thread: M16



SKU: 802-243512

Reutlinger type 66 SV III ZW, M16i with safety nut

- Max load capacity Ø6mm: 135kg
- Diameter: 34mm
- Total length: 96mm
- Thread length: 12mm
- Female screw thread: M16



SKU: 802-243513

Reutlinger type 66 SV III ZW, with fork 16x32 with safety nut

- Max load capacity Ø6mm: 135kg
- Diameter: 34mm
- Total length: 160mm
- Fork length: 32mm



SKU: 802-243514

Reutlinger type 66 SV III ZW, with half coupler and safety nut

- Max load capacity Ø6mm: 135kg
- Diameter: 34mm
- Total length: 160mm
- With Doughty half coupler slim line 45-50mm



SKU: 802-243515

Reutlinger type 66 SV III, with fork 16x32 and safety nut

- Max load capacity Ø6mm: 135kg
- Diameter: 34mm
- Total length: 129mm
- Fork length: 32mm



Reutlinger Type 80 - Rigging Accessories



SKU: 802-243520

Reutlinger type 80 SV III, M20 Ring integral

- Max load capacity Ø6mm: 135kg
- Max load capacity Ø8mm: 240kg
- Diameter: 40mm
- Bore diameter: 40mm
- External diameter: 72mm
- Total length: 155mm



SKU: 802-243521

Reutlinger type 80 SV III, M20

- Max load capacity Ø6mm: 135kg
- Max load capacity Ø8mm: 240kg
- Diameter: 40mm
- Thread length: 30mm
- Connecting thread: M20
- Total length: 114mm



SKU: 802-243522

Reutlinger type 80 SV III ZW, M12i

- Max load capacity Ø6mm: 135kg
- Max load capacity Ø8mm: 240kg
- Diameter: 40mm
- Total length: 110mm



SKU: 802-243523

Reutlinger type 80 SV III ZW, with fork 20x40

- Max load capacity Ø6mm: 135kg
- Max load capacity Ø8mm: 240kg
- Diameter: 40mm
- Total length: 216mm
- Usable fork length: 40mm
- Bolt dimension: 40mm



SKU: 802-243524

Reutlinger type 80 SV III ZW, with half coupler

- Max load capacity Ø6mm: 135kg
- Max load capacity Ø8mm: 240kg
- Diameter: 40mm
- Total length: 195mm
- With Doughty half coupler slim line: 45-50mm



SKU: 802-243525

Reutlinger type 50 SV III ZW, M12 with fork 14x28

- Max load capacity Ø4mm: 60kg
- Max load capacity Ø5mm: 90kg
- Diameter: 25mm
- Total length: 122mm
- Usable fork length: 2mm



SKU: 802-243526

Reutlinger type 80 SV III ZW, M12i, with ringnut M20

- Max load capacity Ø6mm: 135kg
- Max load capacity Ø8mm: 240kg
- Diameter: 40mm
- Bore diameter: 40mm
- Total length: 181mm
- External diameter: 72mm



SALES OFFICE & WORKSHOP
MALMGATAN 18
SE-602 23 NORRKÖPING
+46 10 211 50 50

SALES OFFICE
SKVADRONSGATAN 6A
SE-217 52 MALMÖ
+46 72 164 00 22

PROFESSIONAL STAGE ENGINEERING



www.psrig.com



info@psrig.com



[/psrigswe](https://www.facebook.com/psrigswe)



[/company/psrig](https://www.linkedin.com/company/psrig)



PSRIG