



FLEXRAIL

—
OUR VERSATILE
CURTAIN TRACK



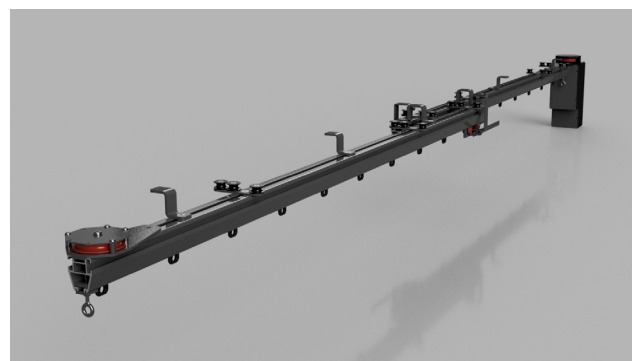
FlexRail

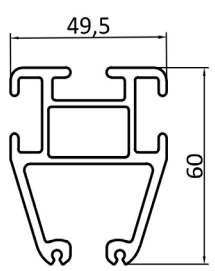
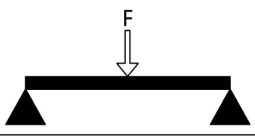
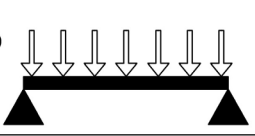
FlexRail is developed in Sweden and designed to meet every need of the event industry. With a flexible and strong construction, FlexRail saves time on installations and lasts year after year. Many accessories fit both rope and motor driven operation. This allows you to quickly deliver the solution your customer needs with a minimal warehouse cost. All components are of high quality materials and with a powder coated or anodized surface finish. The system is well tested in our own facilities as well as externally.



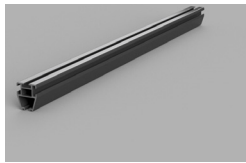
- Aluminium profile W: 49,5mm x H: 60mm
- Self-weight 1,95kg/m + accessories
- Matte black anodized
- Walk-along, cord or motor operation
- Material: EN AW 6063 - T6
- Calculated according to EuroCode 9
- Available standard curves up to 900mm radius
- Available in special shapes and configurations
- Black, white, silver as standard, custom color on request

- Motor integrated to the rail with cord tensioner
- Powerful motor with a continuous output of 300W (900W peak)
- Integrated drive electronics with 4096 PPR encoder
- External limit switches for full open & closed
- One extra programmable stop position through the encoder
- Powercon input 1x230V 50hz
- Connector for control unit (or external control e.g. DMX/Crestron)
- Variable speed up to 400mm/s
- Different speeds optional
- Additional stop positions optional



	LOADTABLE (5MM DEFLECTION)		
	LENGHT [M]	CENTRE POINT LOAD [KG]	UNIFORMLY DISTRIBUTED LOAD [KG]
			
	1.0 M	425 KG	685 KG
	2.0 M	50 KG	85 KG
	3.0 M	15 KG	25 KG

Warning! All other load-bearing components need to be checked for suitability of the application



FlexRail Straight Profiles
500-2811
00 - 4000mm, black anodized
04 - 5000mm, black anodized

White (-W), Silver (-S) & Custom colour (-C)



FlexRail Curved Profiles
500-2811
01 - 90° R:500mm, black anodized
02 - 90° R:700mm, black anodized
03 - 90° R:900mm, black



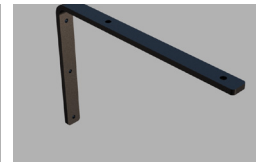
FlexRail Ceiling & Spacer Mounting Plate*
500-2812
00 - powder coated black

White (-W), Silver (-S) & Custom colour (-C)



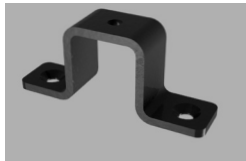
FlexRail Wall Bracket Single Rail*
500-2812
01 - 8mm, powder coated black

White (-W), Silver (-S) & Custom colour (-C)



FlexRail Wall Bracket Double Rail*
500-2812
02 - 8mm, powder coated black

White (-W), Silver (-S) & Custom colour (-C)



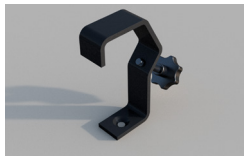
FlexRail Ceiling Bracket Single & Double Rail*
500-2812
03 - powder coated black

White (-W), Silver (-S) & Custom colour (-C)



FlexRail Ceiling Bracket Offset Single Rail*
500-2812
04 - powder coated black

White (-W), Silver (-S) & Custom colour (-C)



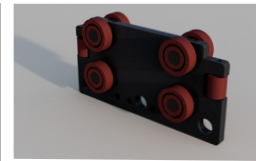
FlexRail Hook Clamp 48-51mm*
500-2812
05 - powder coated black

White (-W), Silver (-S) & Custom colour (-C)



FlexRail 2-Wheel Nylon Runner with Support
500-2813
00 - black/red

White/Red (-WR), Silver/Red (-SR) & Custom/Red (-CR)



FlexRail Master Runner Walk-Along
500-2813
02 - black/red

White/Red (-WR), Silver/Red (-SR) & Custom/Red (-CR)



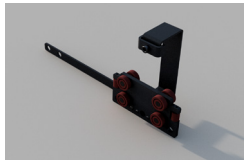
FlexRail Master Runner Walk-Along & Overlap Arm
500-2813
03 - black/red

White/Red (-WR), Silver/Red (-SR) & Custom/Red (-CR)



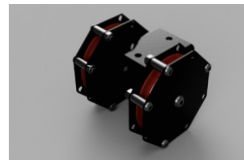
FlexRail Master Runner Rope & Motor Operation
500-2813
06 - black/red

White/Red (-WR), Silver/Red (-SR) & Custom/Red (-CR)



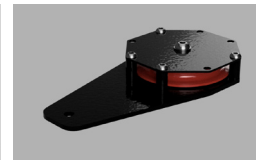
FlexRail Master Runner with Overlap Arm
500-2813
07 - black/red

White/Red (-WR), Silver/Red (-SR) & Custom/Red (-CR)



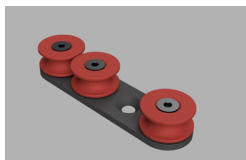
FlexRail Head Pulley*
500-2814
01 - black/red

White/Red (-WR), Silver/Red (-SR) & Custom/Red (-CR)



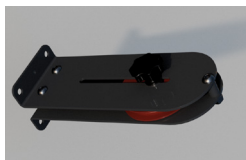
FlexRail Return Pulley*
500-2814
02 - black/red

White/Red (-WR), Silver/Red (-SR) & Custom/Red (-CR)



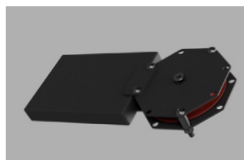
FlexRail Top Guide*
500-2814
03 - 3 wheels, black/red
04 - 4 wheels, black/red

White/Red (-WR), Silver/Red (-SR) & Custom/Red (-CR)



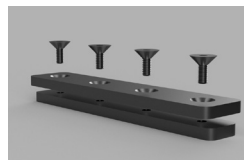
FlexRail Tensioner Pulley
500-2815
02 - floor mounted, black/red

White/Red (-WR), Silver/Red (-SR) & Custom/Red (-CR)



FlexRail Tensioner Pulley
500-2815
01 - hanging weight, black/red
10 - cord 8mm, rope operated, black

White/Red (-WR), Silver/Red (-SR) & Custom/Red (-CR)



FlexRail Standard Joint Connector with Pins*
500-2816
00 - black

White (-W), Silver (-S) & Custom colour (-C)



FlexRail Endstop
500-2816
01 - black

White (-W), Silver (-S) & Custom colour (-C)

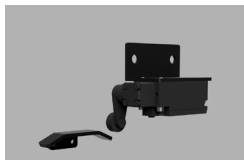


FlexRail Motor Unit FR-200*
500-2817
00 - 1x230V, programmable, black
03 - cord 5mm, aramid, motor operation, black



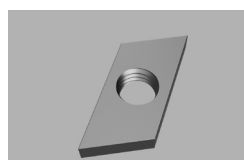
FlexRail Control Unit FRC-200
500-2817
05 - black

White (-W), Silver (-S) & Custom colour (-C)



FlexRail Limit Switch with Bracket & Runnerplate*
500-2817
10 - black

White (-W), Silver (-S) & Custom colour (-C)



FlexRail Sliding Slot Nut
500-2818
01 - M8



FlexRail Sliding T-head Bolt
500-2818
02 - M8x20mm
03 - M8x30mm
04 - M8x50mm

(* = Sliding Slot Nut and T-head Bolt included)

SALES OFFICE & WORKSHOP
MALMGATAN 18
SE-602 23 NORRKÖPING
+46 10 211 50 50

SALES OFFICE
SKVADRONSGATAN 6A
SE-217 52 MALMÖ
+46 72 164 00 22

PROFESSIONAL
STAGE ENGINEERING



www.psrig.com



info@psrig.com



[/psrigswe](https://www.facebook.com/psrigswe)



[/company/psrig](https://www.linkedin.com/company/psrig)



PSRIG