

# FLEXPILE 250 / 500/ 1000



**1 < 6 Wire-ropes**

**12m Travel distance**

**Self sustaining gearbox**

**360° Drum Access**

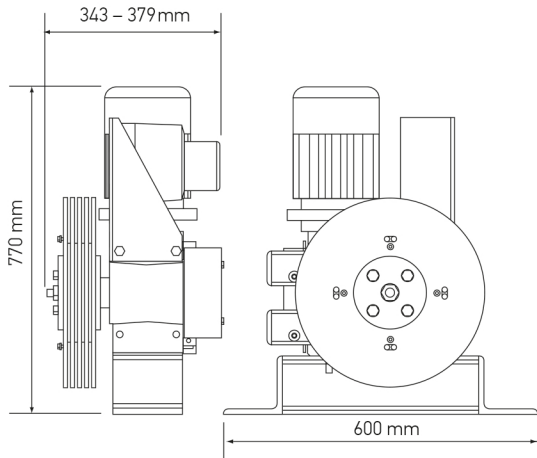
**CE compliant**

**Local Up / Down Control**

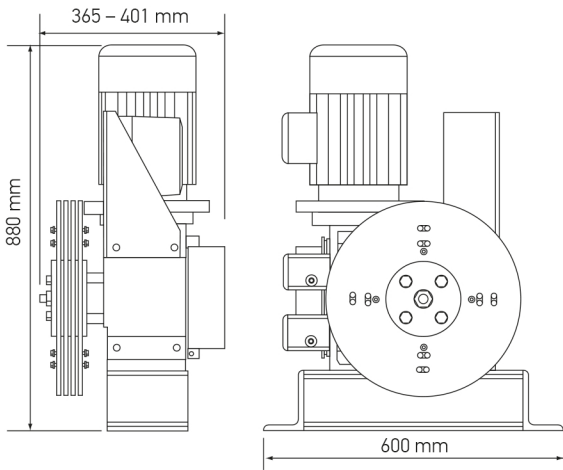
# FLEXPILE 250 / 500/ 1000



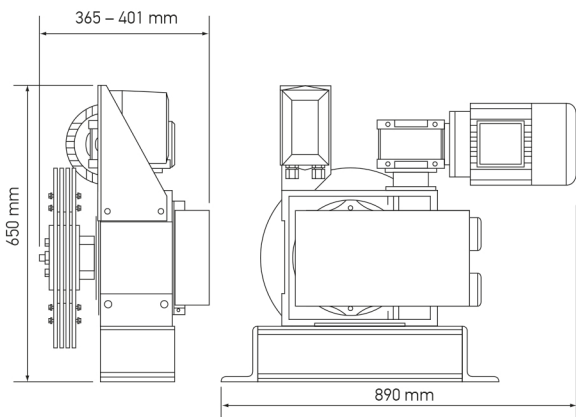
## Flexpile 250



## Flexpile 500



## Flexpile 1000



	WIN 250	WIN 500	WIN 1000
SWL t*	0,25	0,5	1
Travel Distance M**	12	12	12
Lifting Speed M/Sec	0,15 / 0,3	0,15 / 0,3	0,04/ 0,07
Wire Rope Diameter MM	5 or 6	5 or 6	5 or 6
Number of Steel wire ropes	1 < 6	1 < 6	1 < 6
Input Voltage	400/3F/N	400/3f/N	400/3F/N
Motor Power kW	1,1	2,2	1,5
Unit self weight KG	95 / 118	150 / 173	140 / 163
Low Noise brake	✓	✓	✓
Floor & Wall Mountable***	✓	✓	✓
Dual Limit switches	✓	✓	✓
Local Up / Down Control	✓	✓	✓

### Optional additional features

Rope keepers	Variable speed
Additional Brake	Overload detection
Lower Speed	Alternative rope diameter
Encoder connection	Electrical slip-ring
Manual brake release	Manual / Electric drill operated

### Accessories

Pulley's	Tube clamps
Clew Plate's	Cable Guide
Wall Mount controllers	Turnbuckles
Steel wire rope	Ferrules & Thimbles

\* SWL depending of the Nr and type of wire used

\*\* Based on 6mm steel core wire rope

\*\*\* Structural integrity of winch mounting position needs to be verified before installation