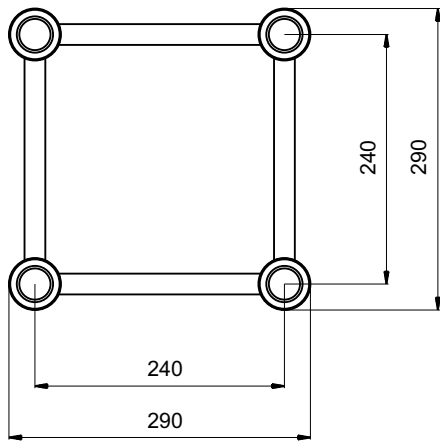
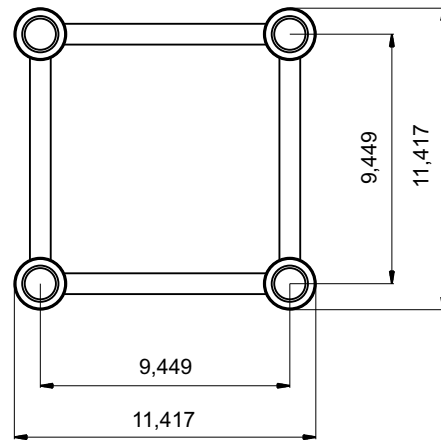


### SIZE IN MILLIMETRS



### SIZE IN INCHES



### SPECIFICATIONS FT34

TUBES	50x2mm (2 x 0.08inch)
BRACES	20x2mm (0.8 x 0.08inch)
ALLOY	EN-AW 6082 T6



### STRAIGHT SEGMENT LENGTHS FT34

CODE	LENGTH		WEIGHT	
FT34-50	0.5m	1.64ft	3.8kg	8.47lbs
FT34-75	0.75m	2.46ft	4.9kg	10.80lbs
FT34-87,5	0.875m	2.87ft	5.6kg	12.24lbs
FT34-100	1m	3.28ft	6.1kg	13.43lbs
FT34-125	1.25m	4.10ft	7.3kg	16.05lbs
FT34-150	1.5m	4.92ft	8.5kg	18.65lbs
FT34-200	2m	6.56ft	10.8kg	23.90lbs
FT34-215	2.15m	7.05ft	11.6kg	25.67lbs
FT34-250	2.5m	8.20ft	13.2kg	29.15lbs
FT34-275	2.75m	9.02ft	14.4kg	31.75lbs
FT34-300	3m	9.84ft	15.6kg	34.38lbs
FT34-350	3.5m	11.48ft	18.0kg	39.62lbs
FT34-400	4m	13.12ft	20.3kg	44.85lbs
FT34-450	4.5m	14.76ft	22.7kg	50.10lbs
FT34-500	5m	16.40ft	25.1kg	55.35lbs

### LOADING TABLES FT34

	2m	4m	6m	8m	10m	12m
Distrib. Load [kg/m]	1422	493	223	127	79	51
Deflection [mm]	2.4	13.7	31.8	58	90.5	126.4
Point load [kg]	1919	987	670	507	394	308
Deflection [mm]	2.6	11	25.6	46.9	73.6	103.6
	<b>6.56ft</b>	<b>13.12ft</b>	<b>19.68ft</b>	<b>26.24ft</b>	<b>32.81ft</b>	<b>37.37ft</b>
Distrib. Load [lb/ft]	955.7	331.3	149.9	85.4	53.1	34.3
Deflection [inch]	0.1	0.5	1.3	2.3	3.6	5
Point load [lb]	4231.4	2176.3	1477.4	1117.9	868.8	679.1
Deflection [inch]	0.1	0.4	1	1.8	2.9	4.1