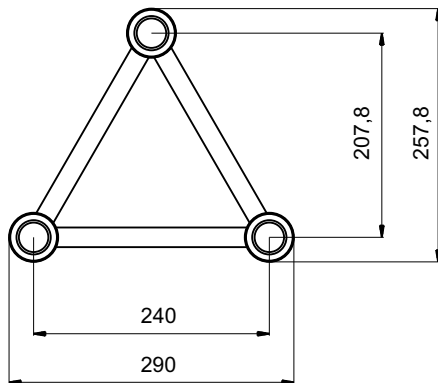
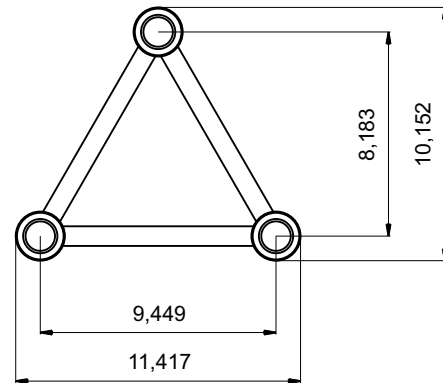


SIZE IN MILLIMETERS



SIZE IN INCHES



SPECIFICATIONS FT33

TUBES	50x2mm (2 x 0.08inch)
BRACES	20x2mm (0.8 x 0.08inch)
ALLOY	EN-AW 6082 T6



STRAIGHT SEGMENT LENGTHS FT33

CODE	LENGTH		WEIGHT	
FT33-50	0.5m	1.64ft	2.9kg	6.35lbs
FT33-75	0.75m	2.46ft	3.7kg	8.11lbs
FT33-87,5	0.875m	2.87ft	4.2kg	9.17lbs
FT33-100	1m	3.28ft	4.6kg	10.08lbs
FT33-125	1.25m	4.10ft	5.5kg	12.04lbs
FT33-150	1.5m	4.92ft	6.4kg	14.00lbs
FT33-200	2m	6.56ft	8.1kg	17.93lbs
FT33-250	2.5m	8.20ft	9.9kg	21.85lbs
FT33-300	3m	9.84ft	11.7kg	25.78lbs
FT33-350	3.5m	11.48ft	13.5kg	29.72lbs
FT33-400	4m	13.12ft	15.3kg	33.65lbs
FT33-450	4.5m	14.76ft	17.0kg	37.57lbs
FT33-500	5m	16.40ft	18.8kg	41.50lbs

LOADING TABLES FT33

	2m	4m	6m	8m	10m	12m
Distrib. Load [kg/m]	761	206	92	51	31	20
Deflection [mm]	2.6	11.5	26.8	48.8	75.2	105.6
Point load [kg]	761	412	277	206	154	117
Deflection [mm]	2.1	9.3	21.7	39.8	62	88.3
	6.56ft	13.12ft	19.68ft	26.24ft	32.81ft	37.37ft
Distrib. Load [lb/ft]	511.4	138.4	61.8	34.3	20.8	13.4
Deflection [inch]	0.1	0.5	1.1	1.9	3	4.2
Point load [lb]	1678	908.5	610.8	454.2	339.6	258
Deflection [inch]	0.1	0.4	0.9	1.6	2.4	3.5