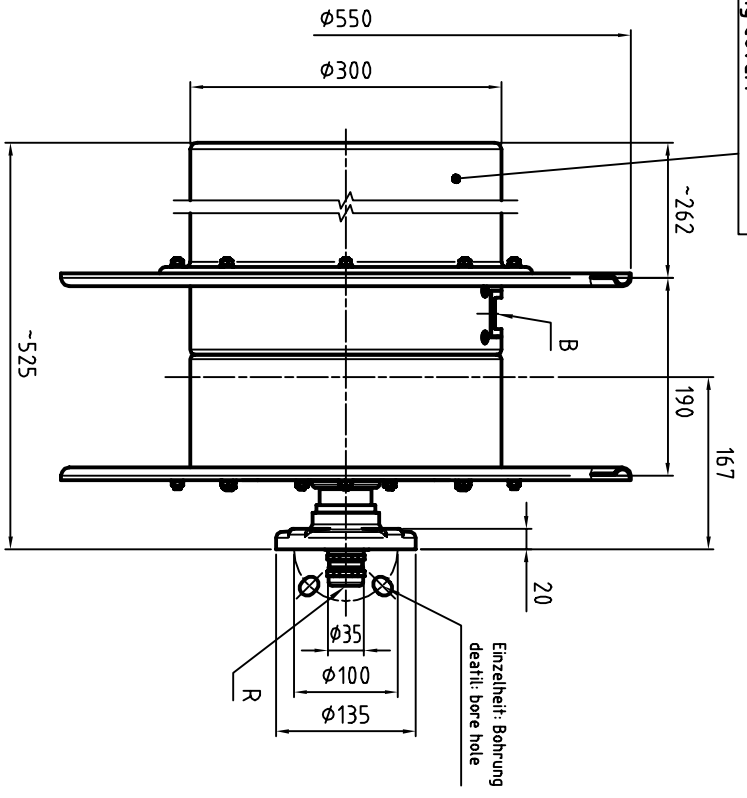
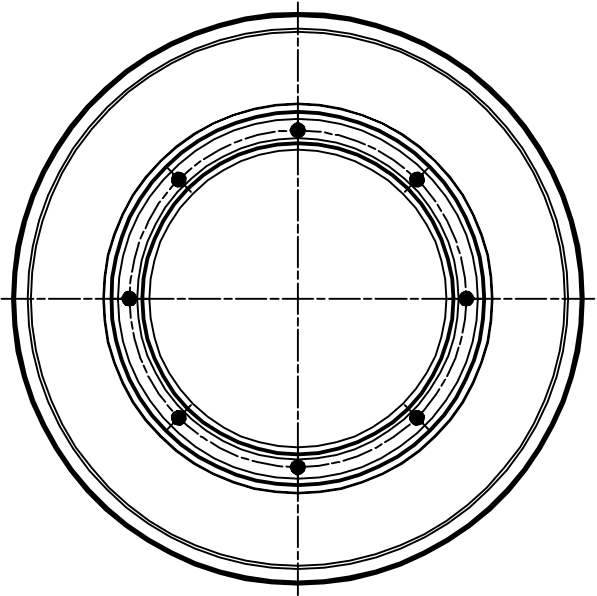


Achtung!
 Platz zum Abnehmen der
 Schleifringabdeckung beachten.
Attention!
 Needed space for removing
 the slip ring cover.

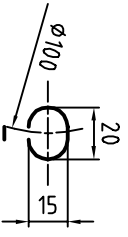


Leitungsabzug / pull-down direction
 links / left



Einzelheit: Bohrung
 details: bore hole

Maßstab / scale: 1:2



- R = Leitungseinführung zu den Ringen
- B = Leitungseinführung zu den Bürsten
- R = Cable entry to the rings
- B = Cable entry to the brushes
- 17 Pole + PE 26A, 500V

Dimension without tolerances DIN ISO 2768-1 m		Surface data - Rz in µm 4.5 up to 6.401 milled above 31 up to 127 14.5 roughing above 127 up to 500 4.0 sandblasting above 500 up to 2000 4.2 above 2000 up to 4000 3.0		Revision Date Name		Attention! Proprietary notice pursuant to ISO 16016		Scale 1:5		Weight: Model-no.:	
1 2 3 4 5 6 7 8	Revision Date Name	old new	Edit Reviewed Date 11.02.2010 11.02.2010	Sitz Petermann	Replaced through:	Description Federleitungsstrommel / spring cable reel LT300/252-18-26	Drawing no E1079-5005	sheet dimension DIN A3			
Hartmann & Könlig Stromzuführungs AG			Replaced for:								