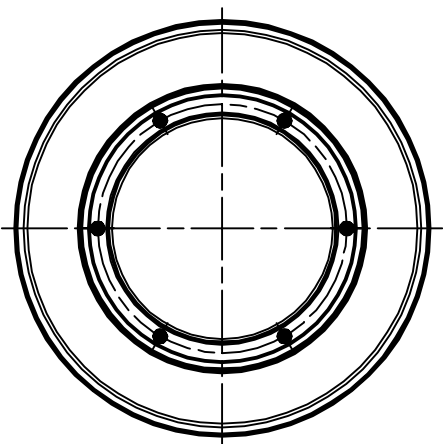
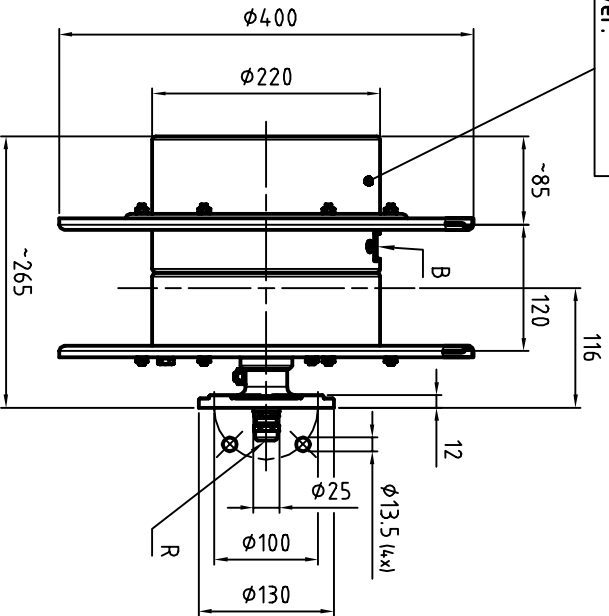


Achtung!
 Platz zum Abnehmen der
 Schleifringabdeckung beachten.
 Attention!
 Needed space for removing
 the slip ring cover.



Leitungsabzug / pull-down direction
 links / left

- R= Leitungseinführung zu den Ringen
- B= Leitungseinführung zu den Bürsten
- R= Cable entry to the rings
- B= Cable entry to the brushes
- 4 Pole + PE 26A, 500V.

Cond.	Revision	Surface data - Rz in µm	Date	Name	Edi	Date	Name	Attention!	Scale:	Weight:
Dimensions without tolerances DIN ISO 2768-1 m	4.5 up to 6.402 6.402 up to 12.804 12.804 up to 25.608 25.608 up to 51.216 51.216 up to 102.432 above 102.432	Surface data - Rz in µm 4.5 up to 6.402 untreated 6.402 up to 12.804 roughing 12.804 up to 25.608 sandblasting 25.608 up to 51.216 sandblasting above 51.216	old	new	Reviewed!	03.12.2009	Heid	Proprietary notice pursuant to ISO 16016	1:5	
			Hartmann & Köhlig Stromzuführungs AG		Date: 03.12.2009 Name: Petermann		Attention! Proprietary notice pursuant to ISO 16016		Description: Federleitungsstrommel / spring cable reel LT220/251H5-26	
Drawing no: E1077-5009			Replaced for:		Replaced through:		Sheet dimension: DIN A3			