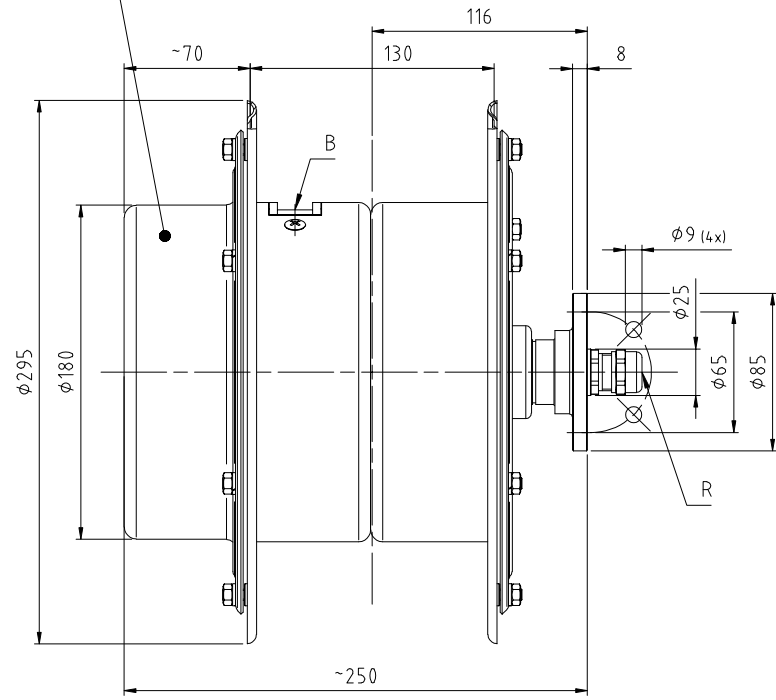
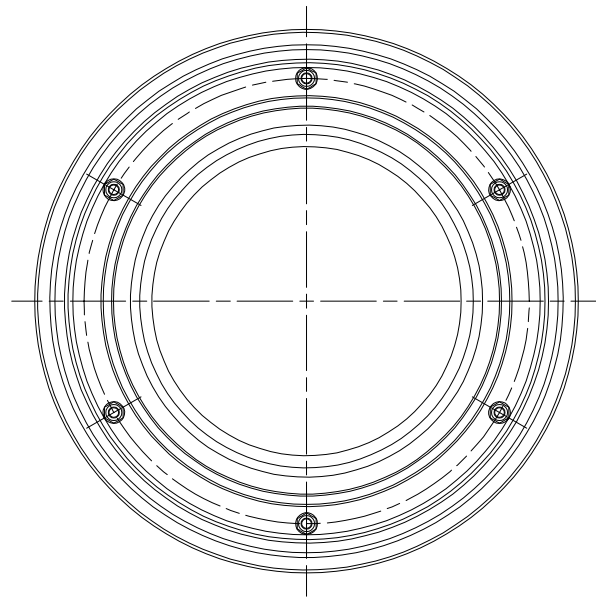


Achtung!
 Platz zum Abnehmen der
 Schleifringabdeckung beachten.
 Attention!
 Needed space for removing
 the slip ring cover.



Leitungsabzug / pull-down direction
 links / left



R= Leitungseinführung zu den Ringen
 B= Leitungseinführung zu den Bürsten
 R= Cable entry to the rings
 B= Cable entry to the brushes
 4 Pole + PE 26 A, 500 V

Revision		Date		Attention: Proprietary notice pursuant to ISO 16016		Scale: 1:2,5		Weight:	
-		10.02.2010		Seitz		Material:		Model-no.:	
Edit		Date		Name		Description			
Reviewed		10.02.2010		Petermann		Federleitungstrommel / spring cable reel			
Cond.		Revision		Date		Name		Drawing no	
Dimensions without tolerances		Surface data - Rz in µm		old		new		sheet dimension	
DIN ISO 2768-1 m		Signification		~		✓		DIN	
6.5 up to 6 ±0,1		unfrated		~		✓		A3	
above 6 up to 30 ±0,2		roughing		▽		✓		Replacem. for:	
above 30 up to 120 ±0,3		smoothing		▽▽		✓		Replaced through:	
above 120 up to 400 ±0,5		hone		▽▽▽		✓		E1076-5001	
above 400 up to 1000 ±0,8									
above 1000 up to 2000 ±1,0									
above 2000 up to 4000 ±2,0									

