

piFLOW[®]p



- Compact and modular design.
- Rubber and plastic materials in conveyor are antistatic.
- COAX[®] technology.
- Energy efficient and low noise level.
- Easy to maintain and clean.
- The conveyor is designed according to USDA guidelines.
- Designed mainly for industries handling food, chemical and pharmaceutical products.
- Steel quality ASTM 316L.
- Solution that contributes to dust-free conveying.
- Automatically opens the discharge valve when the level of material reaches the sensor inside the conveyor body.
- Avoids filter damage by preventing overfilling. Filter damage would lead to unplanned downtime and filters are expensive to be replaced.
- Semi-automatically optimizes the batch volume - the conveyor can always work on maximum capacity in every cycle which leads to faster conveying.
- The filter bag has filtration 5 µm.
- Automatic filter cleaning.
- All material in direct contact with the conveyed product is in compliance with FDA and EC No. 1935/2004, EC No. 10/2011.

TECHNICAL DATA

Technical data

| Description | Unit | Value |
|---------------------------------------|----------------|--|
| Material | | ASTM 316L, NBR, ePTFE, PET, PA, Al, SS, PP |
| Temperature range – conveyed material | °C | 0-60 |
| Temperature range - ambient | °C | 5-50 |
| Weight | kg | 47 |
| Finish – general surface | Ra | 0.6 |
| Finish – product contact surface | Ra | 0.4 |
| Feed pressure, max. | MPa | 0.7 |
| Feed pressure range | MPa | 0.4-0.6 |
| Air consumption range | NI/s | 20-28 |
| Noise level range | dBA | 69-77 |
| Vacuum range | -kPa | 60-75 |
| Filter area | m ² | 0.42 |
| Min particle size | µm | 5.0 |
| Material batch volume | L | 33 |
| Feed pressure, max. - actuator | MPa | 0.4 |
| Feed pressure range - control | MPa | 0.4-0.6 |
| Safety classification | | IP54 |

Vacuum flow

| Feed pressure MPa | Air consumption NI/s | Vacuum flow (NI/s) at different vacuum levels (-kPa) | | | | | | | | | Max vacuum -kPa |
|----------------------|-------------------------|--|----|----|------|------|-----|-----|-----|----|--------------------|
| | | 0 | 10 | 20 | 30 | 40 | 50 | 60 | 70 | | |
| 0.40 | 20 | 64 | 42 | 30 | 19.2 | 12.8 | 6.4 | 1.6 | - | 60 | |
| 0.50 | 24 | 73 | 46 | 35 | 22.4 | 13.6 | 9.9 | 5.6 | 2.9 | 70 | |
| 0.60 | 28 | 77 | 48 | 42 | 27 | 14.4 | 9.6 | 8.0 | 5.6 | 75 | |

Performance (Level sensors)

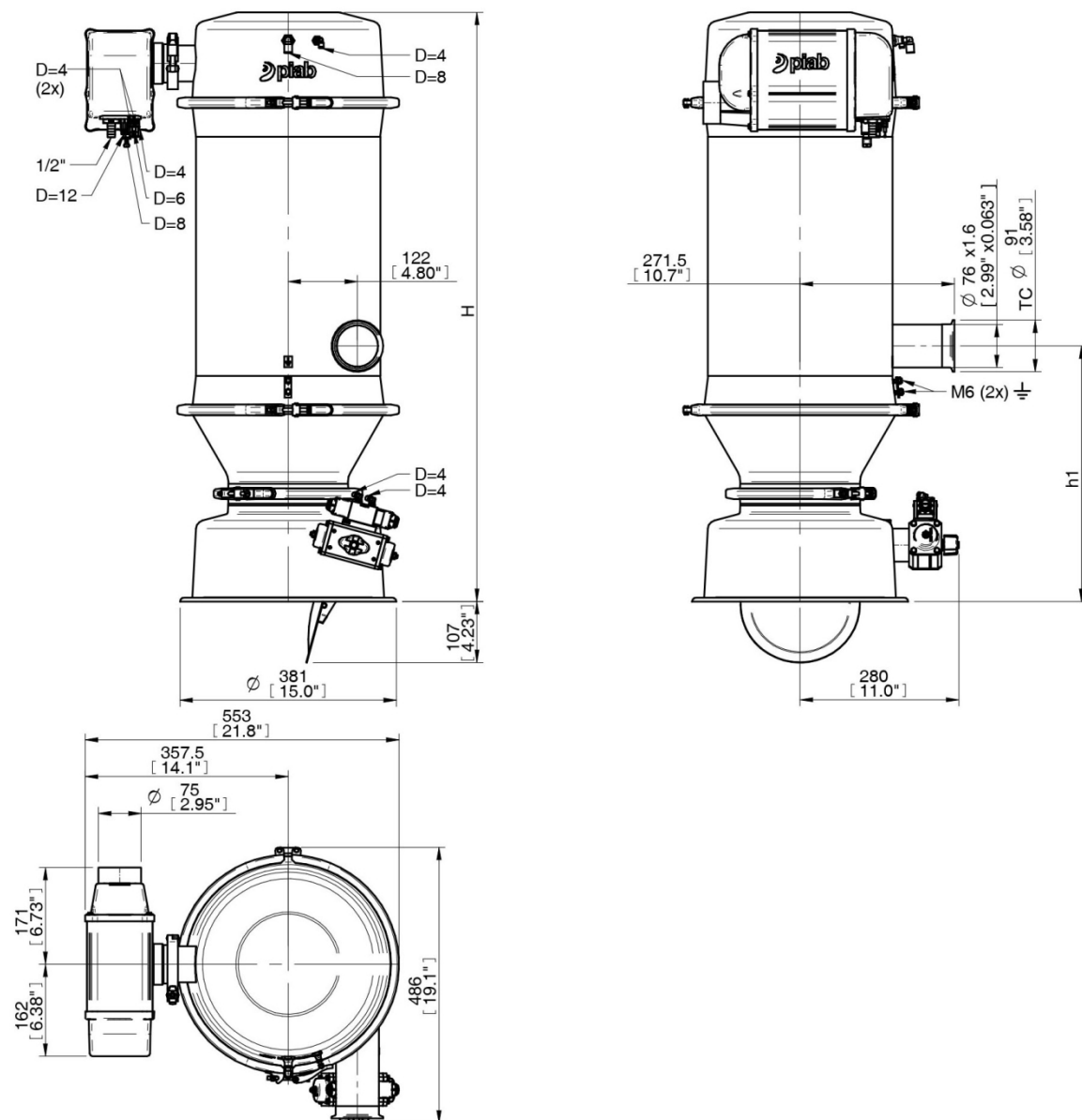
| Description | Unit | Value |
|----------------|------|----------------------------|
| Material | | ASTM 316L, PEEK, EPDM, NBR |
| Material Cable | | PUR |

Electrical data (Level sensors)

| Description | Unit | Value |
|---------------------|------|-------------------|
| Cable | | M12, 4-pin, L=10m |
| Voltage | V | 12 – 30 |
| Current consumption | mA | 25 (max 50) |

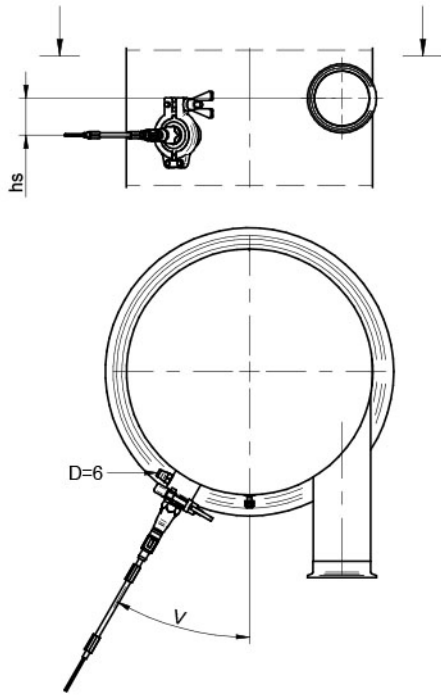
DIMENSIONS

Vacuum conveyor

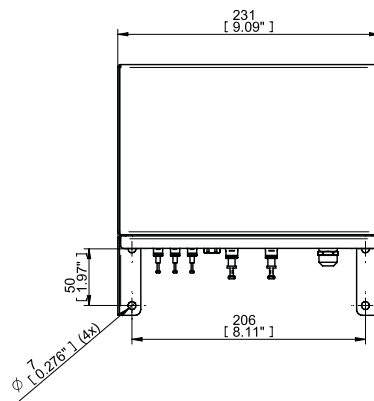
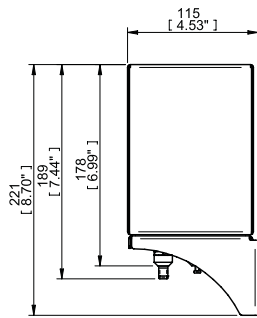
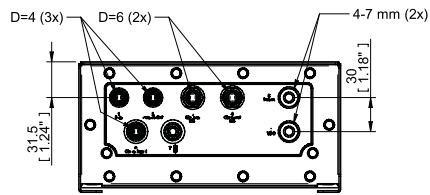


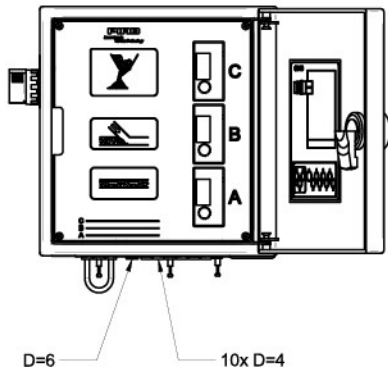
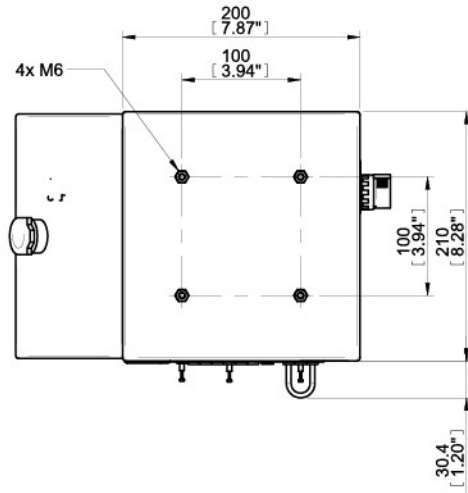
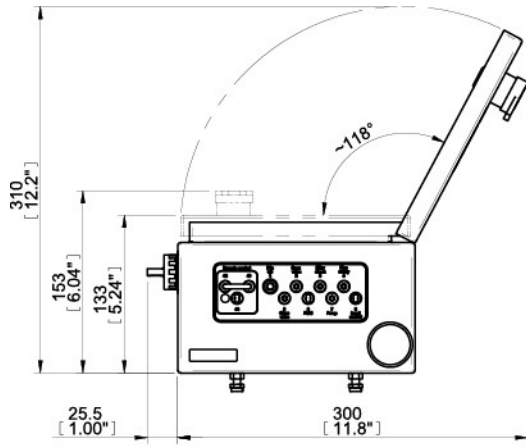
| | |
|---|---------------|
| H | 1271 [50.04"] |
|---|---------------|

| | |
|----|--------------|
| h1 | 683 [26.89"] |
|----|--------------|



| | |
|----|--------------|
| hs | 48.5 [1.91"] |
| V | 30° |





Ordering information

| Description | Product code |
|---|-------------------------------------|
| piFLOW®p, Batch Volume Optimization, piPREMIUM400, Textile filter 04, TC Inlet Ø 76 (3"), Volume 33L, Cone opening, Control CU-3B, Antistatic & SS, No special documentation, Manual GB | P.P400.TX4.76T.33.CA.3B.ASS.0.GB.A0 |

Ordering information, recommended spare parts

| Description | Item no. |
|---|----------|
| Textile filter D=125 L=360 | 0205585 |
| Filter seal 125 NBR | 0206440 |
| Module Filter plate seal 33 NBR | 0206436 |
| Module Filter plate seal 21 NBR | 0206434 |
| Module seal 33 NBR | 0206435 |
| Bottom valve seal 180 NBR | 0206439 |
| Immersed Cap. sensor G1/2A L82 TC cpl and cable | 0241381 |