

MANUAL

Change over valve for electro mechanical pump and piFLOW®





CONTENTS

Safety instructions 3

Function 4

Technical data 5

Dimensions 6

Connections 9

Installation 10

Start up 10

Warranties 10

Safety instructions

Risk of pinching

Do not put your hand inside the valve. There is a risk of severe injury if the valve closes. Always disconnect electricity during service and maintenance.

Hot surface

Hot surface can occur on the change-over valve's actuator.



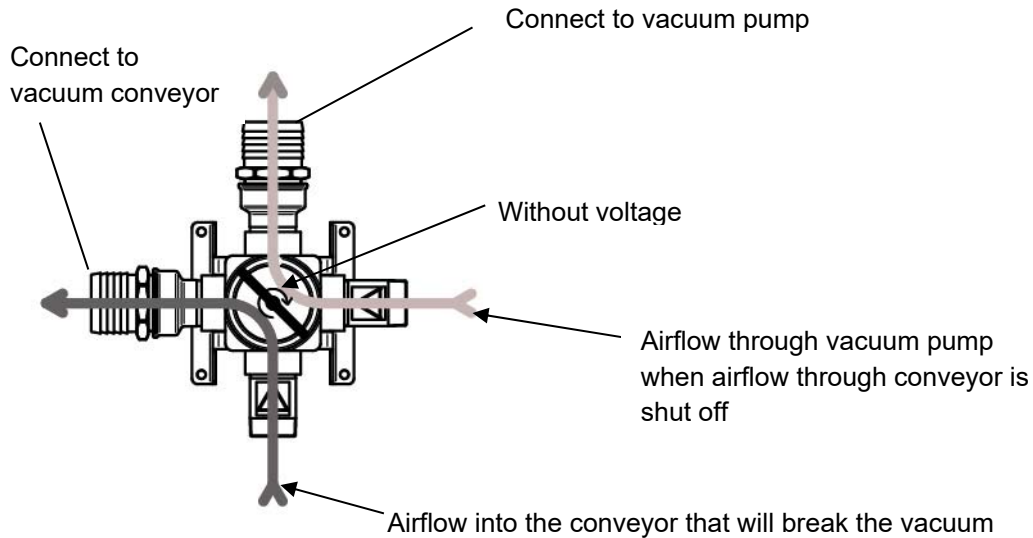
For further safety instructions, see safety instructions in the piFLOW® manual.



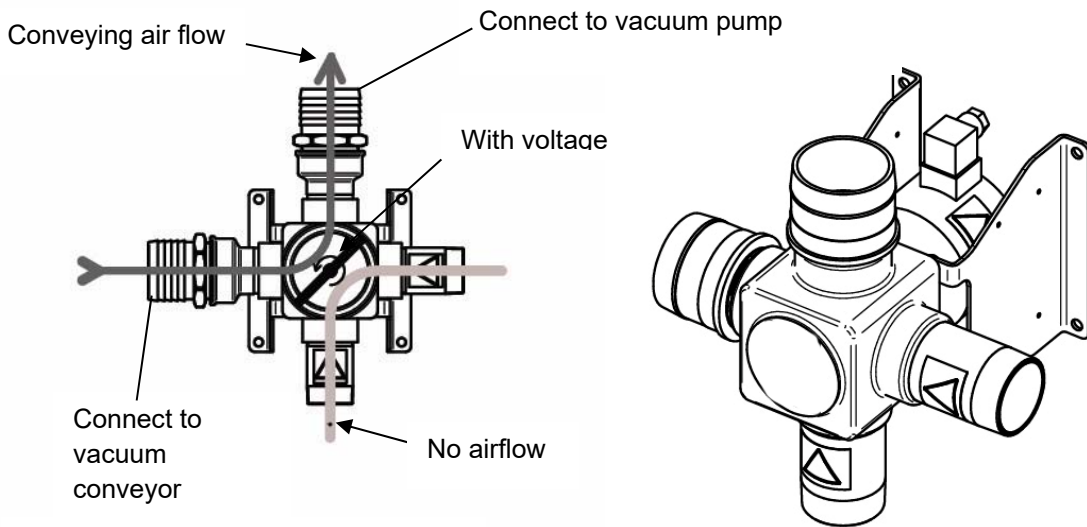
Function

The Change over valve is to control the conveying and discharge cycles when the electro mechanical pump is running.

A. Idle/Discharge mode (change over valve without voltage):



B. Conveying mode (change over valve with voltage):



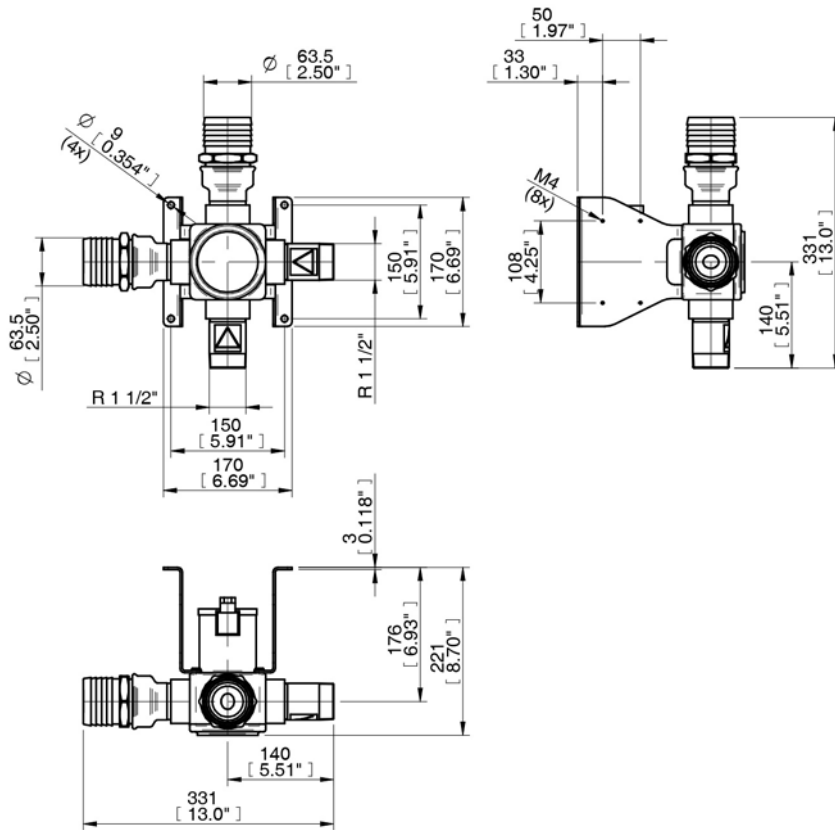
Technical data

Description	Unit	Value
Material		Fe, Cu, Al, ASTM 304, ASTM 316
Temperature range at	°C	0-40
Switching time	ms	90-110ms
Current consumption	A	1.6 (for item 0207226), 1.7 (for items 0207228 and 0207231)
Voltage	VDC	24

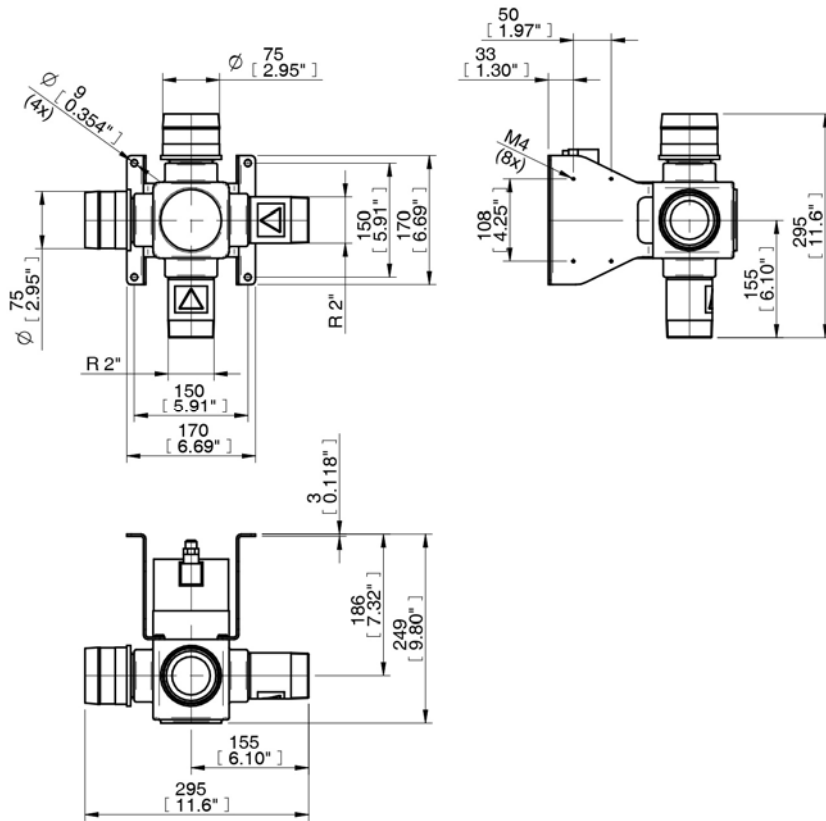


Dimensions

Change over valve for electro mechanical pump 100-400 D=Ø63 and piFLOW®, Art No 0207226

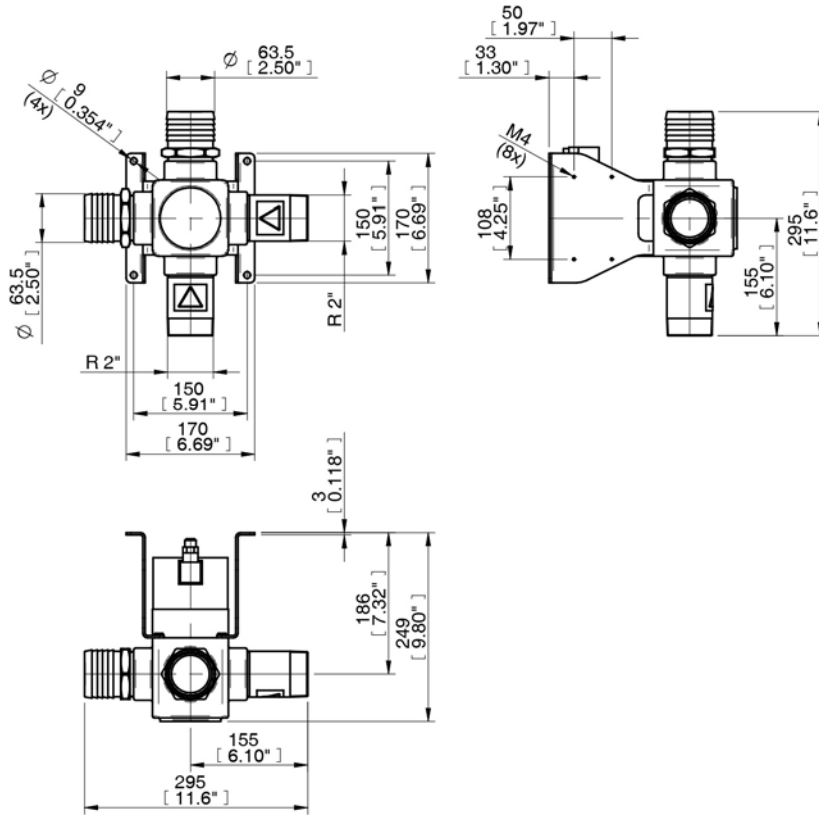


Change over valve for electro mechanical pump 600-1600 D=Ø76 and piFLOW®p, Art No 0207231

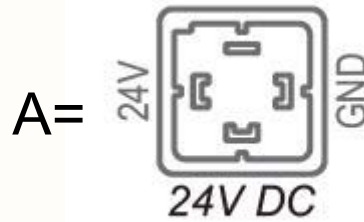
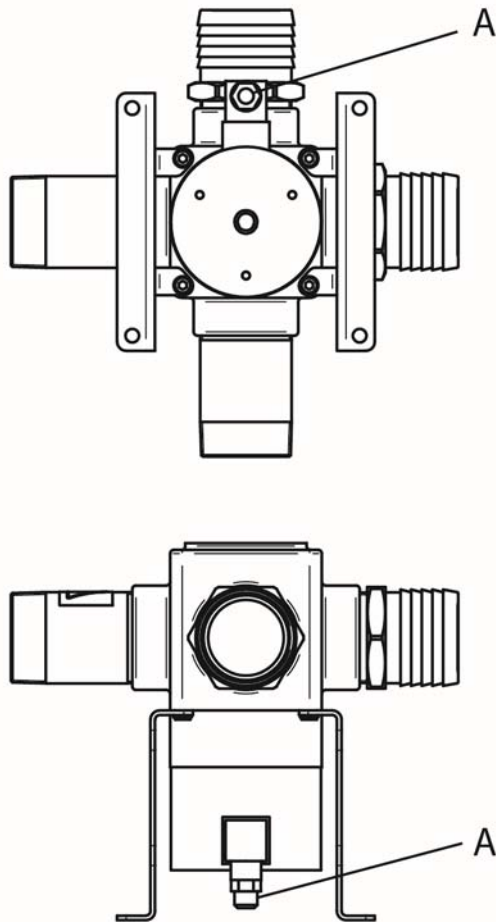




Change over valve for electro mechanical pump 600 D=Ø63 and piFLOW®i/f, Art No 0207228



Connections of electrical signals



For item 0207226, current consumption is 1.6A

For items 0207228 and 0207231, current consumption is 1.7A

Port	Function	Connection alternatives
A	Conveying cycle starts (valve change from idling mode to conveying mode)	7.) CU-1/2*
		2.) PPT/RS*
		6.) VU-EP**

*Must be used together with a PE converter (0207207)

**Not necessary to use together with a PE converter. If you already use an electrical start signal for starting VU-EP, the same signal may be used for the change over valve. Please note the current consumption requirements for the change over valves.



Installation

See instructions in manual for piFLOW®.

Start up

See instructions in manual for piFLOW®.

Warranties

Piab offers a warranty to distributors, integrators and users of Piab products worldwide as per the following definitions:

- ▶ A five-year warranty is valid for complete vacuum conveyors excluding electro mechanical pumps and controls.
- ▶ A five-year warranty is valid for vacuum pumps excluding electro mechanical pumps, accessories and controls.
- ▶ A two-year warranty is valid for electro mechanical pumps.
- ▶ A one-year warranty is valid for other products.

General warranty principles:

- ▶ Piab guarantees against defects in the manufacture and materials by normal use in a proper environment, when following the instructions for care, maintenance and control described in the appropriate Piab manual.
- ▶ Piab replaces or repairs, free of charge, faulty products provided that these are returned to Piab and found to be covered by the warranty.
- ▶ It is at Piab's discretion whether a faulty product should be sent back to Piab for replacement or if the repair shall be made locally at Piab's expense.
- ▶ This warranty does not include wear parts such as filter elements, sealings, hoses, pipe fittings, pipe bends, pinch valves (in-line with conveyed material), reducers, etc.
- ▶ This warranty does not include subsequent damages caused by defective products.