



Item no: 0209790

Vane pump 1200/1600 IE3 460V, 208V, 230V

- Electro mechanical generated vacuum
- High vacuum flow.
- Integrated inlet filter and control valves
- Oil-free
- Vibration stable
- With non-return valve

General

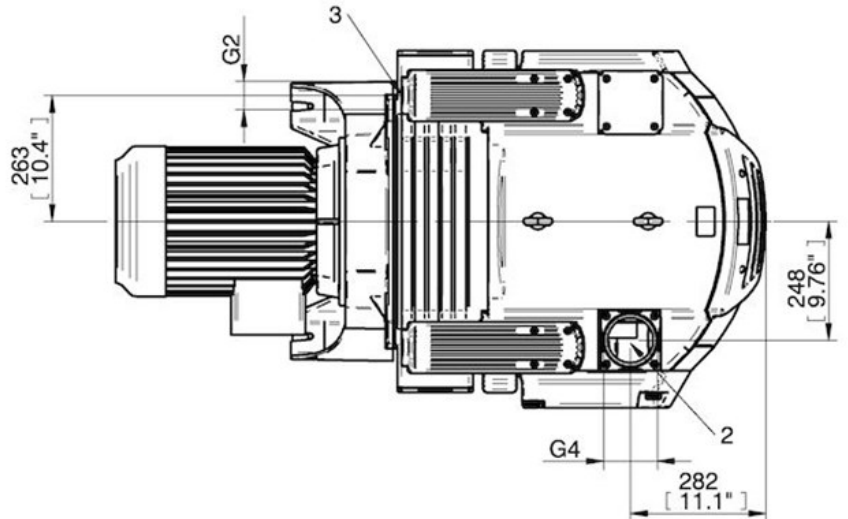
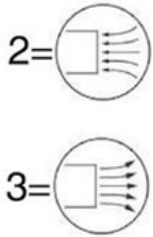
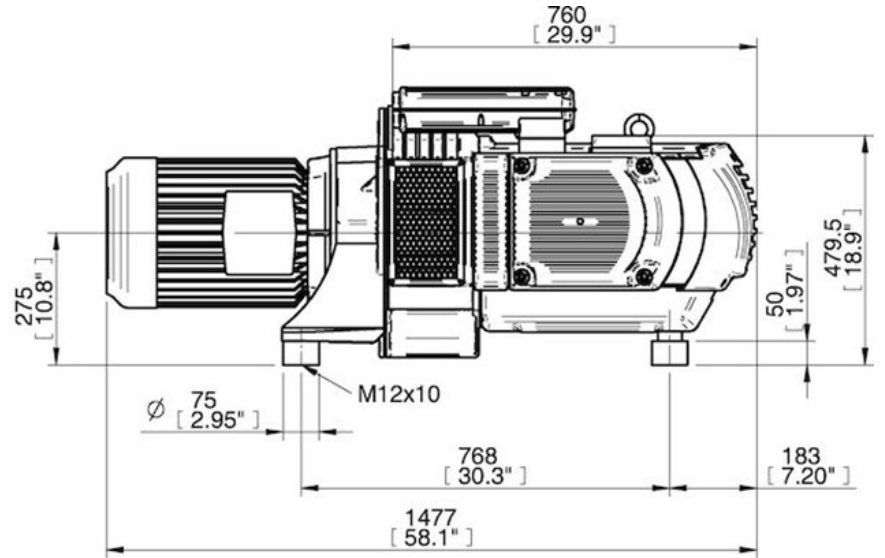
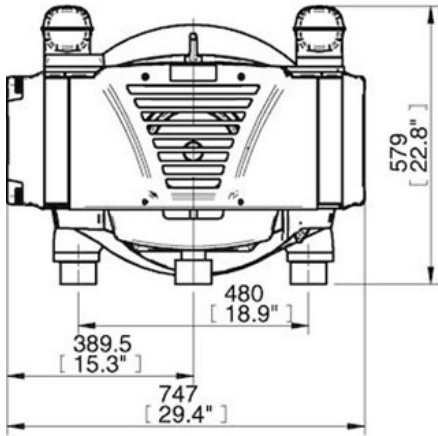
Material	Iron, FE
Noise level, max.	80 dBA
Weight, max.	411 kg

Performance

Electric connection	3AC 460V 60Hz, 3AC 208V 60Hz, 3AC 230V 60Hz
Rated Power (60Hz)	13.2 kW

Feed pressure MPa	Air consumption NI/s	Vacuum flow (NI/s) at different vacuum levels (-kPa)										Max vacuum -kPa
		0	10	20	30	40	50	60	70	80	0	
Vane pump 1200/1600 60Hz - 0	0	158.7	141.7	125	106.9	90.5	73.4	56.3	38.9	0	75	

Feed pressure MPa	Air consumption NI/s	Evacuation time (s/l) to reach different vacuum levels (-kPa)										Max vacuum -kPa
		10	20	30	40	50	60	70	80	90	0	
Vane pump 1200/1600 60Hz - 0	0	0	0	0	0	0	0	0	0	0	0	75



Accessories

0205867 | Hose connection kit 1200/1600