



Item no: 0202825

### Feed adapter, D=50C

- Polished  $\leq$  Ra 0.8.
- To suit Piab feed station or transition pieces.
- Clamp ring or U flange and sealing to be ordered separately from the accessory list

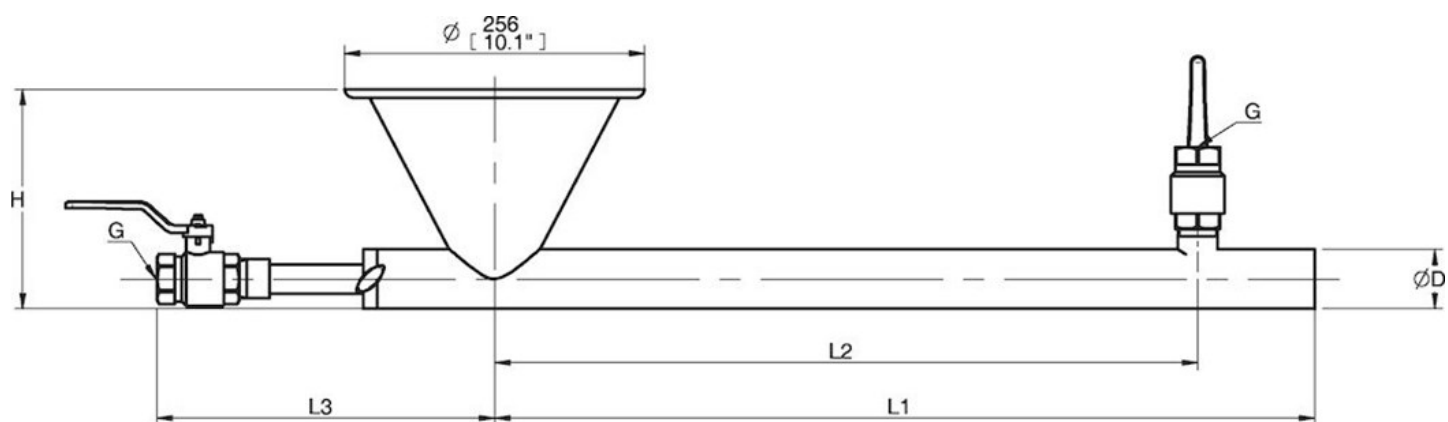
## General

Material	POM, CUNI, ASTM316L
Temperature	32 - 140 °F
Weight	8.66 lb
Volume	158.042 in <sup>3</sup>

## Dimension

Diameter	50,8x1,65 mm
Height	7.4 in
Length	27.56 in
Length 2	23.62 in
Length 3	208-288 mm
Thread	1" in

## Dimensional drawings



## Accessories

- 01.03.972 | Clamp ring 21 cpl
- 01.07.851 | Flange for welding 21/2
- 02.02.797 |
- 02.02.798 |
- 02.02.804 |
- 02.06.433 | Module seal 21 NBR FCM
- 02.06.448 | Module seal 21 Q FCM