



Item no: 0207355

### Control unit CU-1B, bottom valve NC

- Controls the functions of the conveyor
- Fully pneumatic
- The maximum recommended distance between the conveyor and control unit is 39 feet when feed pressure is 87 psi
- Function of the CU-1/2A: the bottom valve is open when the conveyor is shut off
- Function of the CU-1/2B: the bottom valve is closed when the conveyor is shut off
- Function of the CU-2: equipped with pipe emptying function between every conveying cycle

General


|             |             |
|-------------|-------------|
| Material    | ASTM 316L   |
| Temperature | 32 - 122 °F |
| Weight      | 9.016 lb    |

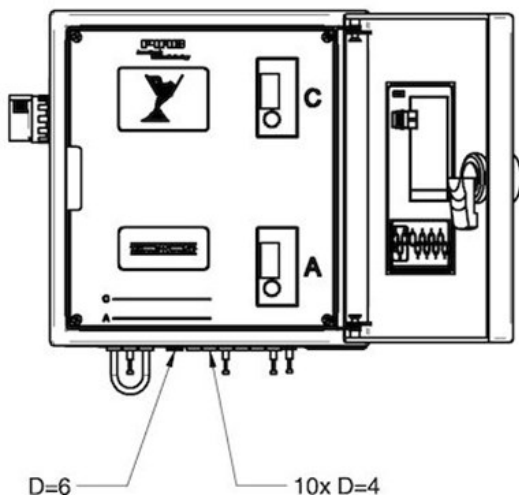
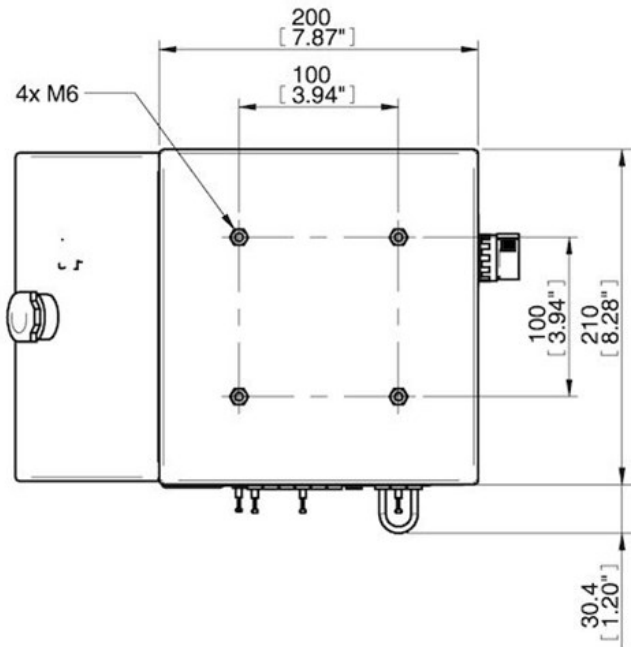
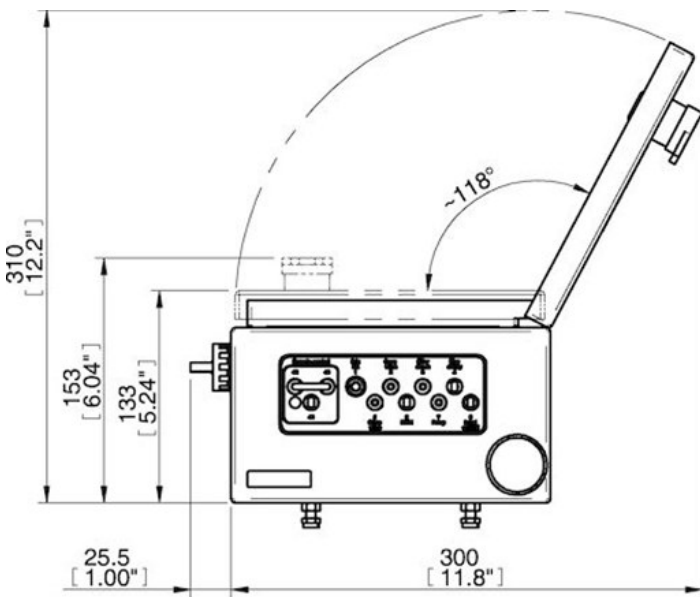
Performance

|               |             |
|---------------|-------------|
| Feed pressure | 58 - 87 psi |
|---------------|-------------|

Electrical data

|                       |      |
|-----------------------|------|
| Safety classification | IP54 |
|-----------------------|------|

Dimensional drawings 



Accessories

02.30.264 | Nylon tubing kit control unit

