



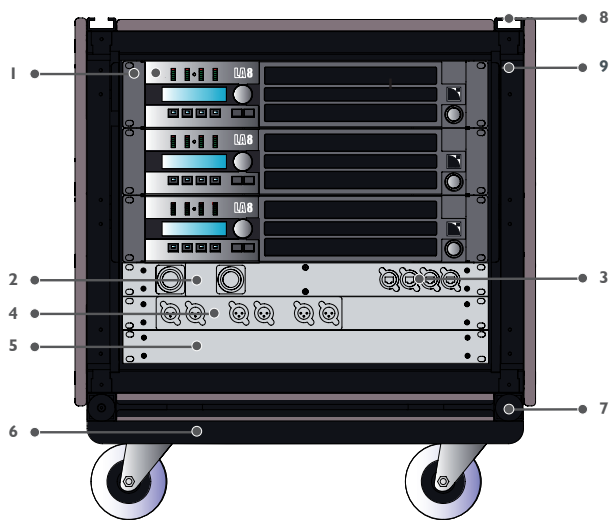
LA-RAK

TOURING RACK



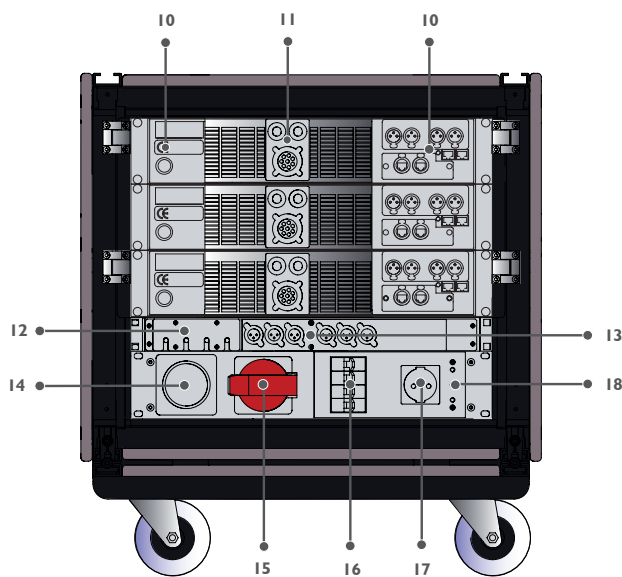
The LA-RAK combines in a 9U frame three LA8 amplified controllers, two I/O patch panels for signal and network distribution, and a power distribution panel. A dolly board is included for moving the LA-RAK. Two coupling bars allow assembly with another LA-RAK or a flying frame.

FRONT



- 1 LA8 amplified controllers
- 2 Analog input/link panel (2 PA-COM® connectors)
- 3 L-NET input/link panel (2 EtherCON® connectors)
- 4 Digital input/link panel (6 XLR connectors)
- 5 I U blank panel
- 6 Removable dolly board
- 7 Coupling bars
- 8 Assembly rails (flying and stacking)
- 9 Storage slots for front and rear doors

REAR

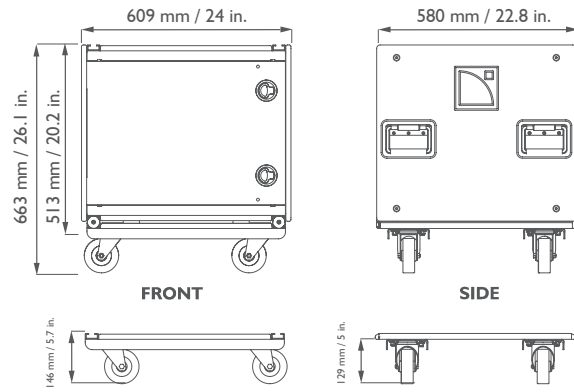


- 10 Hinge-mounted panels for connector protection
- 11 LA8 speaker output panel (6 SpeakON® + 3 CA-COM® connectors)
- 12 L-NET internal panel (2 Ethernet cables)
- 13 Analog internal panel (6 XLR connectors)
- 14 Three-phase input (cable fitted with P17 32A plug)
- 15 Three-phase link (P17 32A socket)
- 16 Circuit breakers (L1, L2, L3, Aux)
- 17 Auxiliary output (10 A “Shuko” socket)
- 18 Phase presence LEDs (L1, L2, L3)

Featured: 230V version

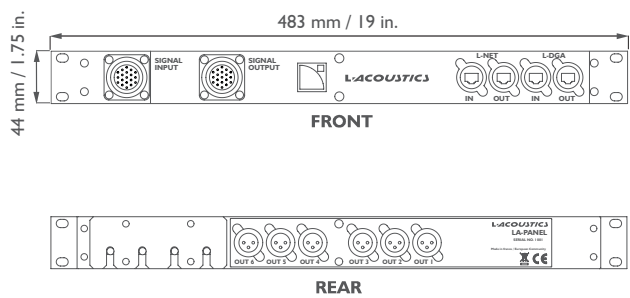
RK9U: 9U rack cabinet

Dimensions	W x H x H (with dolly board) x D 609 x 513 x 663 x 580 mm 24 x 20.2 x 26.1 x 22.8 in.
Weight	96 kg / 212 lbs (fully equipped, with dolly board)
Material	Aluminum and steel frame, polyethylene sides LEXAN® polycarbonate doors
Finish	Gray-brown RAL 8019®
Rigging/moving	2 x coupling bars, dolly board



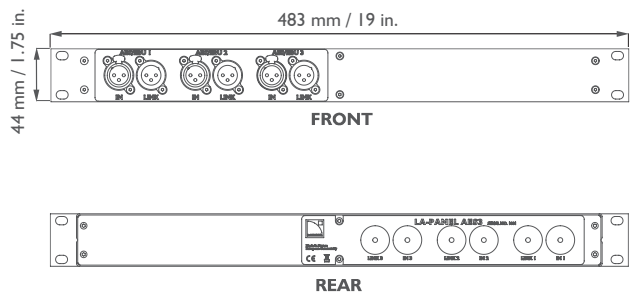
LA-PANEL: Analog audio and network distribution panel

Dimensions	W x H x D 483 x 44 (1U) x 59 mm 19 x 1.75 (1U) x 2.3 in.
Analog input/link	2 x PA-COM® connectors (passive link integrated in panel)
Connection to LA8	6 x XLR connectors
L-NET input/link	2 x EtherCON® connectors
Connection to LA8	2 x RJ45 connectors (CAT5e 1 m cables included)



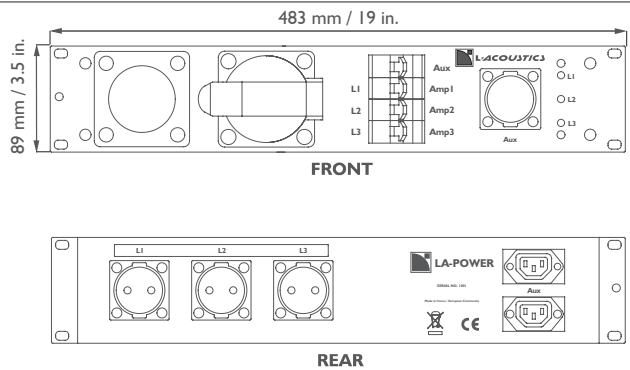
LA-PANEL AES3: Digital audio distribution panel

Dimensions	W x H x D 483 x 44 (1U) x 64.8 mm 19 x 1.75 (1U) x 2.6 in.
Digital input/link	6 x XLR connectors (active link with failsafe relay integrated in each LA8)
Connection to LA8	6 x XLR cables (1.15 m / 3.8 ft)



LA-POWER: 230 V power distribution panel

Dimensions	W x H x D 483 x 89 (2U) x 103 mm 19 x 3.5 (2U) x 4.05 in.
AC input	Cable with 32A P17 plug (3P + N + G)
AC output	32 A P17 link socket (3P + N + G) 1 x type F "Shuko" socket (auxiliary) 3 x type F "Shuko" sockets (L1, L2, L3) 2 x type IEC CEE22 sockets (auxiliary)
Protection	3 x 16 A type C circuit breakers (L1, L2, L3) 1 x 10 A type C circuit breaker (auxiliary)



LA-RAK BUMP: Flying frame

Dimensions	W x H x D 581 x 102 x 558 mm 22.9 x 4 x 22 in.
Weight	13.5 kg / 29.7 lbs
Material	Steel with anti-corrosion coating

