



# TECHNICAL SHEET

## UE Mini Stage-CO2 Narrow STD

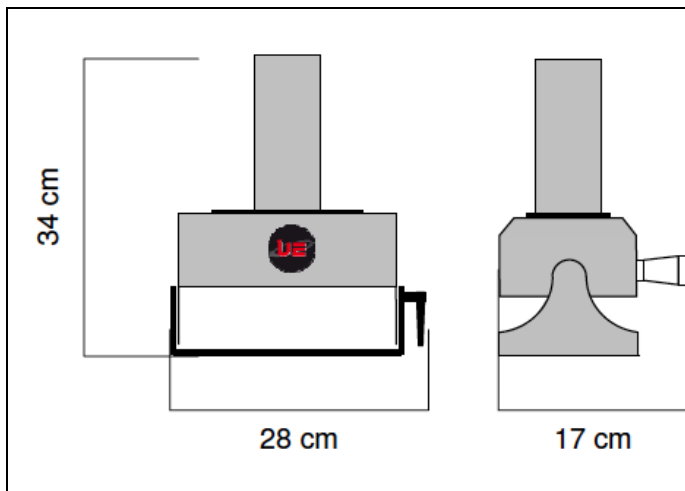
Article code: PFPOSC001217

Ultra compact and versatile machinery, with its unique 'Interchangeable heads' system, that can be used to create various effects and CO2 jet shapes. It can be used on the floor or hung up, indoor and outdoor. The UE Mini STAGE CO2 is adapted to any places or stages. Two versions are available: the STD version to be directly connected to the main power and the DMX version, controlled via the control panel. Moreover, our accessories include the CO2 level detector. It is compulsory when you work indoor.



## PART LIST

- 1 x UE Mini Stage-CO2 Narrow STD
- 1 x UE PowerCon Supply Male 10A 2m



## SPECIFICATIONS

Dimensions (L x W x H in cm): 28 x 17 x 34  
Weight (kg): 2.8

Rating: 230V – 50 Hz – 15W – 0.1A

## FEATURES

- Fitted with 1 output for CO2 shooting.
- Fitted with a Narrow head to provide a thin jet effect.
- Tilting bracket.
- Consumption: 0.6kg/sec of CO2.

## ACCESSORIES (REQUIRED)

- 1 x UE Gas HP Pipe
- 1 x UE Connection for CO2 Bottle

## ACCESSORIES (OPTIONAL)

- UE Head Narrow
- UE Head Wide
- UE Head Blade
- UE Head Wall
- UE Head Silent
- UE Head Multijet
- UE Head Cross
- UE PowerCon Link cable
- UE Gas Splitter 1-2 Chamber
- UE Ground Foot Mini-Stage
- UE Detector of CO2
- UE Detector Cable
- UE Interface Security Pack

## CONSUMABLES

Co2 Bottle with dip pipe to get a liquid phase.  
Please ask if case you want the list of our gas suppliers.

**Universal-Effects, Technology Made in France Quality**

Universal-Effects Europe – Parc de l'Évènement, 1 Allée d'Effiat, 91160 LONGJUMEAU – FRANCE  
Factory & Delivery : Universal-Effects Manufacture – 87 Route de Montcenis, 71200 LE CREUSOT – FRANCE  
Office +33 (0)385 730 747 – Fax +33 (0)385 730 745 – Email [info@universal-effects.com](mailto:info@universal-effects.com) – [www.universal-effects.com](http://www.universal-effects.com)



# TECHNICAL SHEET

## UE Mini Stage-CO2 Narrow DMX

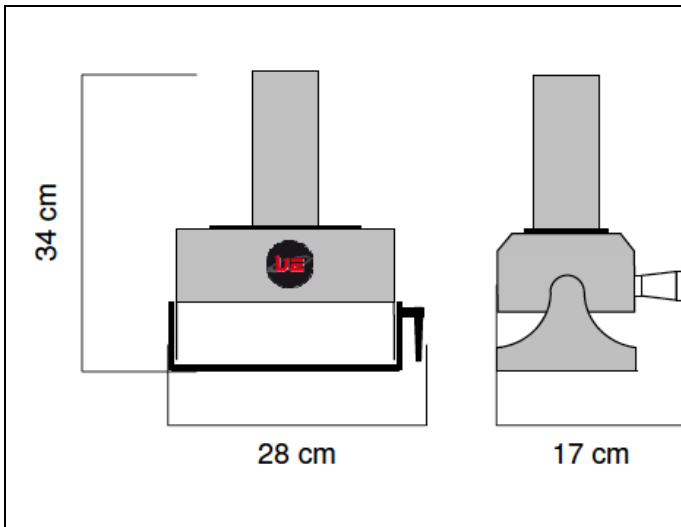
Article code: PFPOSC002217

Ultra compact and versatile machinery, with its unique 'Interchangeable heads' system, that can be used to create various effects and CO2 jet shapes. It can be used on the floor or hung up, indoor and outdoor. The UE Mini STAGE CO2 is adapted to any places or stages. Two versions are available: the STD version to be directly connected to the main power and the DMX version, controlled via the control panel. Moreover, our accessories include the CO2 level detector. It is compulsory when you work indoor.



## PART LIST

- 1 x UE Mini Stage-CO2 Narrow DMX
- 1 x UE PowerCon Supply Male 10A 2m



## SPECIFICATIONS

Dimensions (L x W x H in cm): 28 x 17 x 34  
Weight (kg): 2.8

Rating: 230V – 50 Hz – 15W – 0.1A

## FEATURES

- Fitted with 1 output for CO2 shooting.
- Fitted with a Narrow head to provide a thin jet effect.
- Tilting bracket.
- Consumption: 0.6kg/sec of CO2.

## ACCESSORIES (REQUIRED)

- 1 x UE Gas HP Pipe
- 1 x UE Connection for CO2 Bottle

## ACCESSORIES (OPTIONAL)

- UE Head Narrow
- UE Head Wide
- UE Head Blade
- UE Head Wall
- UE Head Silent
- UE Head Multijet
- UE Head Cross
- UE PowerCon Link cable
- UE Gas Splitter 1-2 Chamber
- UE Ground Foot Mini-Stage
- UE Detector of CO2
- UE Detector Cable
- UE Interface Security Pack

## CONSUMABLES

Co2 Bottle with dip pipe to get a liquid phase.  
Please ask if case you want the list of our gas suppliers.

**Universal-Effects, Technology Made in France Quality**

Universal-Effects Europe – Parc de l'Evènement, 1 Allée d'Effiat, 91160 LONGJUMEAU – FRANCE  
Factory & Delivery : Universal-Effects Manufacture – 87 Route de Montcenis, 71200 LE CREUSOT – FRANCE  
Office +33 (0)385 730 747 – Fax +33 (0)385 730 745 – Email [info@universal-effects.com](mailto:info@universal-effects.com) – [www.universal-effects.com](http://www.universal-effects.com)