

ERSATZTEILE

Pièces de rechange - Onderdelen - Reservedele - Varaosat - Pezzi di ricambio
Reservedelen - Peças - Reservdelar - Piezas de recambio

SPARE PARTS

GIS CHAIN HOIST

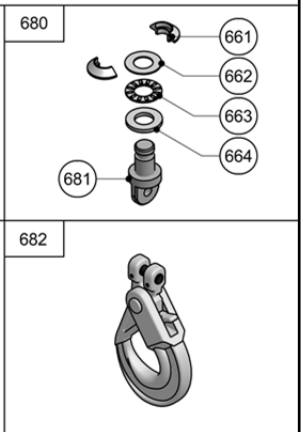
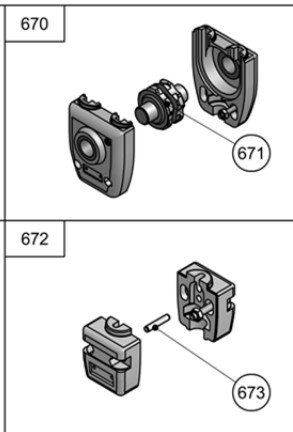
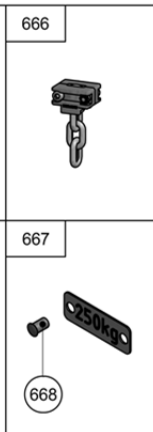
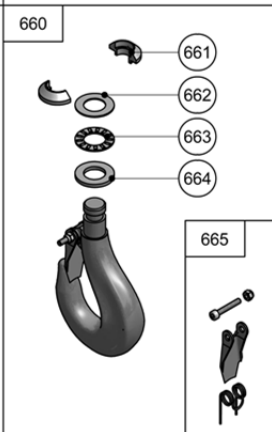
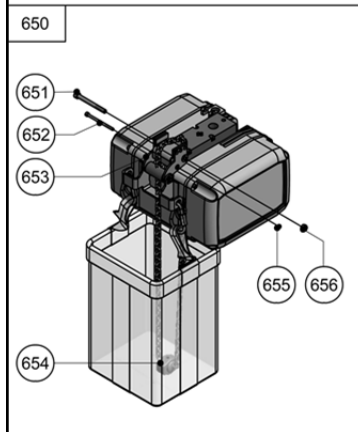
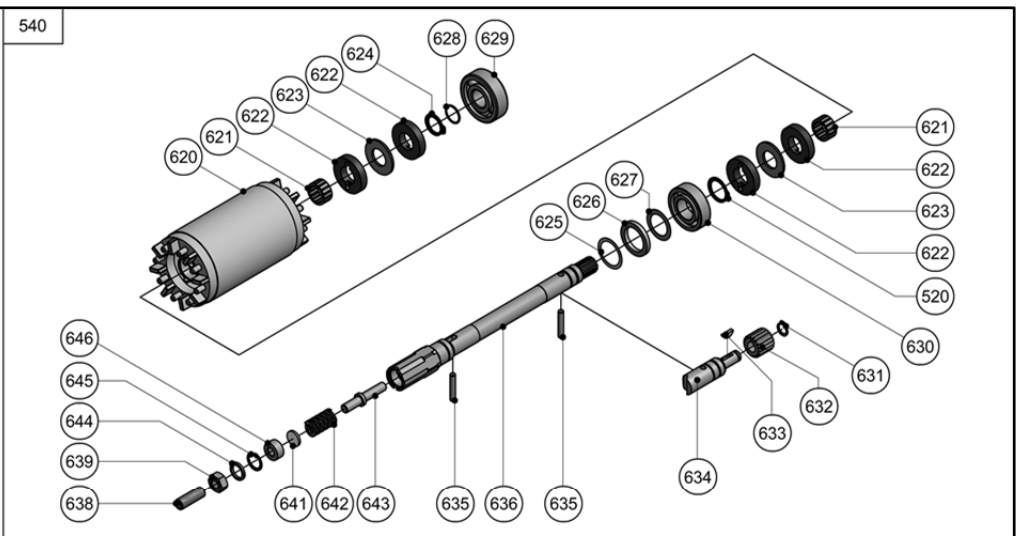
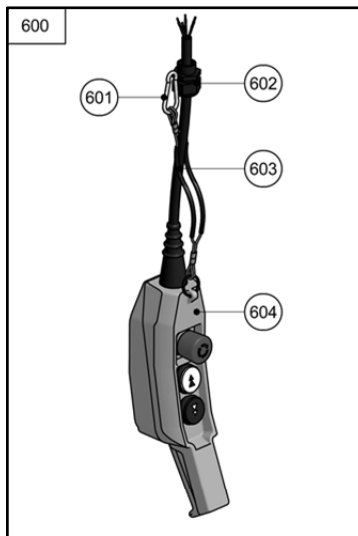
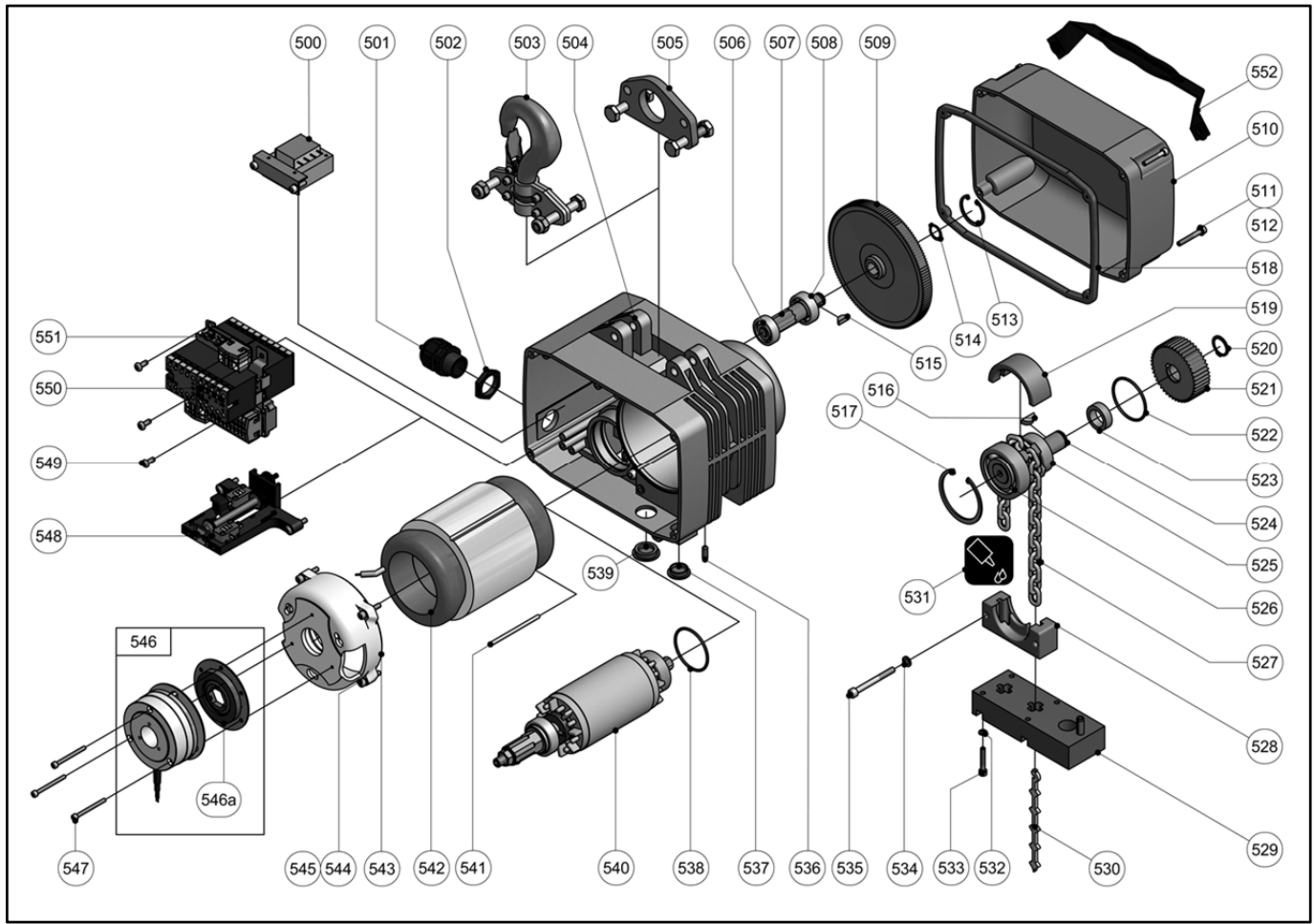
 SWISS QUALITY

LCH 250
LCH 500



M A D E I N S W I T Z E R L A N D





		LCH 250	LCH 500
500	230/42V 50/60Hz	9056.4500.4	9056.4500.4
	400/42V 50/60Hz	9056.4501.4	9056.4501.4
501	M25 x 1.5	9055.3103	9055.3103
502	M25 x 1.5	9055.4013	9055.4013
503	115 x 145.06	9401.3089.3	9401.3089.3
504	246 x 213 x 180.5	9400.3000.0	9400.3000.0
505	62/10 x 115	9400.3055.4	9400.3055.4
506	7201, 12/32 x 10	9038.0026	9038.0026
507	ø18.98 x 90.6	9400.3043.4	9400.3043.4
508	6202, 15/35 x 11	9038.0016	9038.0016
509	ø149 z=142, -N/-NF/-NL	9400.3074.3	9400.3074.3
	ø143 z=136, -SF/-SL	9400.3075.3	9400.3075.3
	ø133 z=127, -HF/-HL	9400.3076.3	9400.3076.3
510	246 x 164 x 80	9401.4513.3	9401.4513.3
511	M5 x 35, In-6kt	9030.0267	9030.0267
512	M5, Polyamid	9031.3703	9031.3703
513	l 35 x 1.5	9031.2214	9031.2214
514	A 15 x 1	0031.1009	0031.1009
515	5 x 6.5 x 15.72	9036.0605	9036.0605
516	6 x 7.5 x 18.57	9036.0600	9036.0600
517	l 62 x 2	0031.1127	0031.1127
518	248 x 166 x 6	9400.3002.3	9400.3002.3
519	70 x 35 x 28	9400.3004.4	
	70 x 35 x 28		9401.3004.4
520	A 20 x 2	0031.1013	0031.1013
521	ø68.8 z=45	9400.3073.4	9400.3073.4
522	ø47 x 2.5	9035.0015	9035.0015
523	ø30/21 x 9.5	9400.3029.4	9400.3029.4
524	ø52 x 96, 6T	9400.3037.2	
	ø55 x 96, 5T		9401.3037.2
525	6204 LLUA, 20/47 x 14	9038.0017	9038.0017
526	6305 LLU, 25/62 x 17	0038.1218	0038.1218
527	4 x 12.3	9039.0021	
	5 x 15.3		9039.0022
528	89 x 34 x 28	9400.3003.4	
	89 x 34 x 28		9401.3003.4
529	56/30 x 146 (4 mm)	9400.3034.3	
	56/30 x 146 (5 mm)		9401.3058.3
530	160 x 13 x 4 (4 mm)	9041.6020	
	200 x 15.5 x 5 (5 mm)		9041.6021
531	0.25 l	9041.0007	9041.0007
532	M5	9031.3902	9031.3902
533	M5 x 30	9030.0266	9030.0266
534	M6	9031.3903	9031.3903
535	M6 x 50	9030.0281	9030.0281
536	DIN 916 M6 x 16	9030.2013	9030.2013
537	M20 x 1.5	9055.3512	9055.3512
538	ø47 x 2.5	9035.0015	9035.0015
539	M25 x 1.5	9055.3513	9055.3513
540	1-t ø61.4 x 50, 8 m/min	9400.3141.3	9400.3141.3
	2-t ø69.4 x 100, 8 m/min	9400.3144.3	9400.3144.3
	2-t ø69.4 x 100, 12.5 m/min	9400.3145.3	9400.3145.3
	2-t ø69.4 x 100, 16 m/min	9400.3151.3	9400.3151.3
	2-t ø69.4 x 100, 20 m/min	9400.3146.3	9400.3146.3
541	ø4 x 75	9230.3097.4	9230.3097.4
542	L=50, 3Ph 230/400V 50Hz, -N	9402.0100.3	9402.0100.3
	L=100, 3Ph 400V 50Hz, -NF, -SF, -HF	9402.0300.3	9402.0300.3
	L=100, 3Ph 400V 50Hz, -NL, -SL, -HL	9402.0400.3	9402.0400.3
543	ø123 x 49	9400.3147.2	9400.3147.2
544	M5 x 25	9030.0265	9030.0265
545	M5	9031.3902	9031.3902
546	6 Nm 100-125 VAC	9050.4055	9050.4055
	6 Nm 200-240 VAC	9050.4056	9050.4056
	6 Nm 360-420 VAC	9050.4057	9050.4057
	6 Nm 440-480 VAC	9050.4058	9050.4058
	6 Nm 500-575 VAC	9050.4059	9050.4059
546a	ø84 x 9	9400.3156.4	9400.3156.4
547	M4 x 45	0030.9287	0030.9287
548	119 x 103.5, kompl.	9401.3015.3	9401.3015.3
	119 x 103.5, NA kompl.	9401.3018.3	9401.3018.3
549	M5 x 12	0030.3468	0030.3468
550	1-t NA 100-480/42V	9402.1550.2	9402.1550.2
	1-t NA 500-690/42V UL	9402.1551.2	9402.1551.2
	2-t NA 100-480/42V	9402.1650.2	9402.1650.2
	2-t NA 500-690/42V UL	9402.1651.2	9402.1651.2
	WAGO 100-480V	9402.1260.4	9402.1260.4
	WAGO 100-480V PMS	9402.1264.3	9402.1264.3
551	1.6A	9052.0012	9052.0012
552	L=300	9401.3077.4	9401.3077.4

		LCH 250	LCH 500
600	2K NA 3 m	9290.1086.3	9290.1086.3
	2K NA 4 m	9290.1087.3	9290.1087.3
	2K NA 5 m	9290.1088.3	9290.1088.3
	2K NA 6 m	9290.1089.3	9290.1089.3
	2K NA 8 m	9290.1090.3	9290.1090.3
	2K NA 10 m	9290.1091.3	9290.1091.3
	2K NA 12 m	9290.1092.3	9290.1092.3
	2K NA 15 m	9290.1093.3	9290.1093.3
	2K NA 20 m	9290.1094.3	9290.1094.3
601	L=50	9031.8004	9031.8004
602	M20 x 1.5	9055.3102	9055.3102
603	5 x 0.75 mm ² , L=	9055.0110	9055.0110
604	2K NA	9290.1084.3	9290.1084.3
620	1-t ø61.4 x 50	9400.3030.3	9400.3030.3
	2-t ø69.4 x 100	9400.3032.3	9400.3032.3
621	17/21 x 10	9038.0259	9038.0259
622	ø35 x 7	9400.3046.4	9400.3046.4
623	ø34/17.5 x 2	9400.3047.4	9400.3047.4
624	A 17 x 1.5	9031.2011	9031.2011
625	ø30/23.8 x 0.2	9400.3045.4	9400.3045.4
626	ø30/24 x 4	9210.3075.4	9210.3075.4
627	ø30/21 x 0.2	9400.3168.4	9400.3168.4
628	ø15.5 x 1.3	9035.0023	9035.0023
629	6303 LLUA, 17/47 x 14	9038.0014	9038.0014
630	6004 LLUA, 20/42 x 12	9038.0002	9038.0002
631	A 10 x 1	0031.1006	0031.1006
632	z=18, -SF	9400.3071.4	9400.3071.4
	z=22, -HF 16 m/min	9400.3123.4	9400.3123.4
	z=27, -HF 20 m/min	9400.3072.4	9400.3072.4
633	3 x 5 x 12.65	9036.0604	9036.0604
634	ø23 x 254.5, -SF/-HF	9400.3140.3	9400.3140.3
635	ø5 x 28	9031.5856	9031.5856
636	ø23 x 250, -N/-NF	9400.3139.3	9400.3139.3
638	M10 x 30	9030.2014	9030.2014
639	M10	0031.0009	0031.0009
641	ø15 x 2	9400.3142.4	9400.3142.4
642	ø16/8.7 x 25.4	9034.1009	9034.1009
643	ø12 x 51	9400.3143.4	9400.3143.4
644	ø13/17 x 2	9031.3238	9031.3238
645	l 17 x 1	9031.2221	9031.2221
646	ø17/M10 x 7.9	9400.3230.4	9400.3230.4
650	212 x 192 x 320, 250/30, 500/20, XS	9401.3180.3	9401.3180.3
	212 x 192 x 420, 250/70, 500/40, S	9401.3181.3	9401.3181.3
	212 x 192 x 590, 250/100, 500/67, M	9401.3182.3	9401.3182.3
	212 x 192 x 940, 250/200, 500/130, XL	9401.3183.3	9401.3183.3
651	M8 x 80/28	9030.0309	9030.0309
652	M5 x 75/22	9030.0327	9030.0327
653	150.5 x 119 x 89	9401.3178.3	9401.3178.3
654	44 x 36 x 32	9215.3021.4	
	46 x 38 x 38		9216.3021.3
655	M5, Nylon	9031.1275	9031.1275
656	M8, Nylon	9031.1277	9031.1277
660	127.8 x 84	9400.3188.4	
	133 x 84		9401.3168.4
661	ø27 x 9	9215.3134.4	
	ø29 x 11		9216.3134.4
662	ø28/15 x 1	9038.1754	
	ø30/17 x 1		0038.3133
663	ø28/15 x 2	9038.0258	
	ø30/17 x 2		9038.0250
664	ø28/15 x 2.75	9038.1753	
	ø30/17 x 2.75		9038.1755
665	s=1.5	9400.3065.4	9400.3065.4
666	34.5 x 26 x 21.2	9400.3015.4	9400.3015.4
667	100 kg	9210.3717.4	9210.3717.4
	125 kg	9210.3718.4	9210.3718.4
	160 kg	9210.3719.4	9210.3719.4
	200 kg	9210.3720.4	9210.3720.4
	250 kg	9210.3721.4	9210.3721.4
	320 kg	9210.3722.4	9210.3722.4
	400 kg	9210.3723.4	9210.3723.4
	500 kg	9211.3340.4	9211.3340.4
	630 kg		9211.3341.4
	800 kg		9211.3342.4
	1000 kg		9216.3041.4
668	3 x 5	9031.6604	9031.6604
670	68 x 54 x 81.5	9400.3079.3	
	78 x 62 x 98.5		9401.3084.3
671	ø42 x 54	9210.3045.4	
	ø48 x 60		9211.3045.4
672	40 x 40 x 47.5	9400.3068.3	
	48 x 48 x 57		9401.3083.3
673	ø4.7 x 28	9215.3033.4	
	ø5.8 x 30		9216.3033.4
680	ø28 x 54	9400.3131.4	
	ø30 x 57		9401.3141.4
681	ø25 x 54	9400.3130.4	
	ø25 x 57		9401.3140.4
682	125 x 75.25 x 27, A600	9401.3144.4	9401.3144.4

