

ERSATZTEILE

Pièces de rechange - Onderdelen - Reservedele - Varaosat - Pezzi di ricambio
Reservedelen - Peças - Reservdelar - Piezas de recambio

SPARE PARTS

GIS CHAIN HOIST

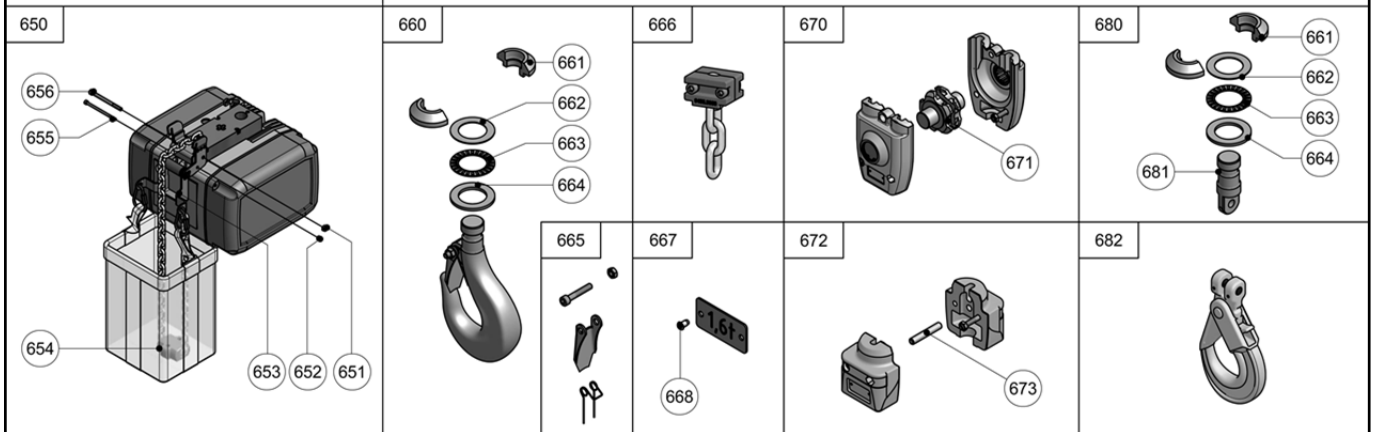
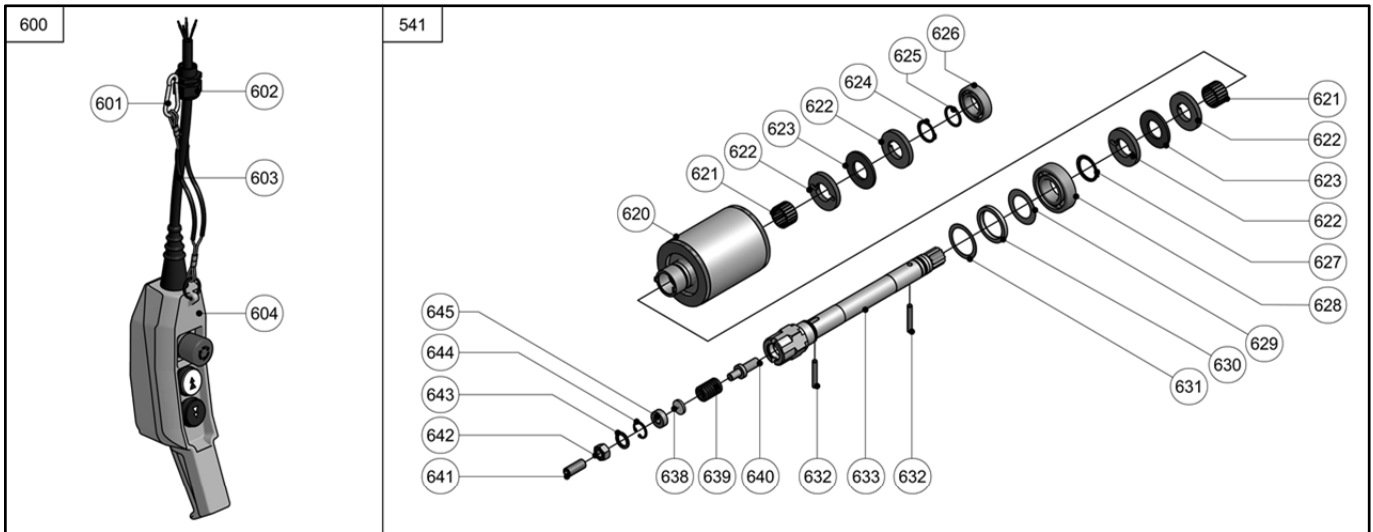
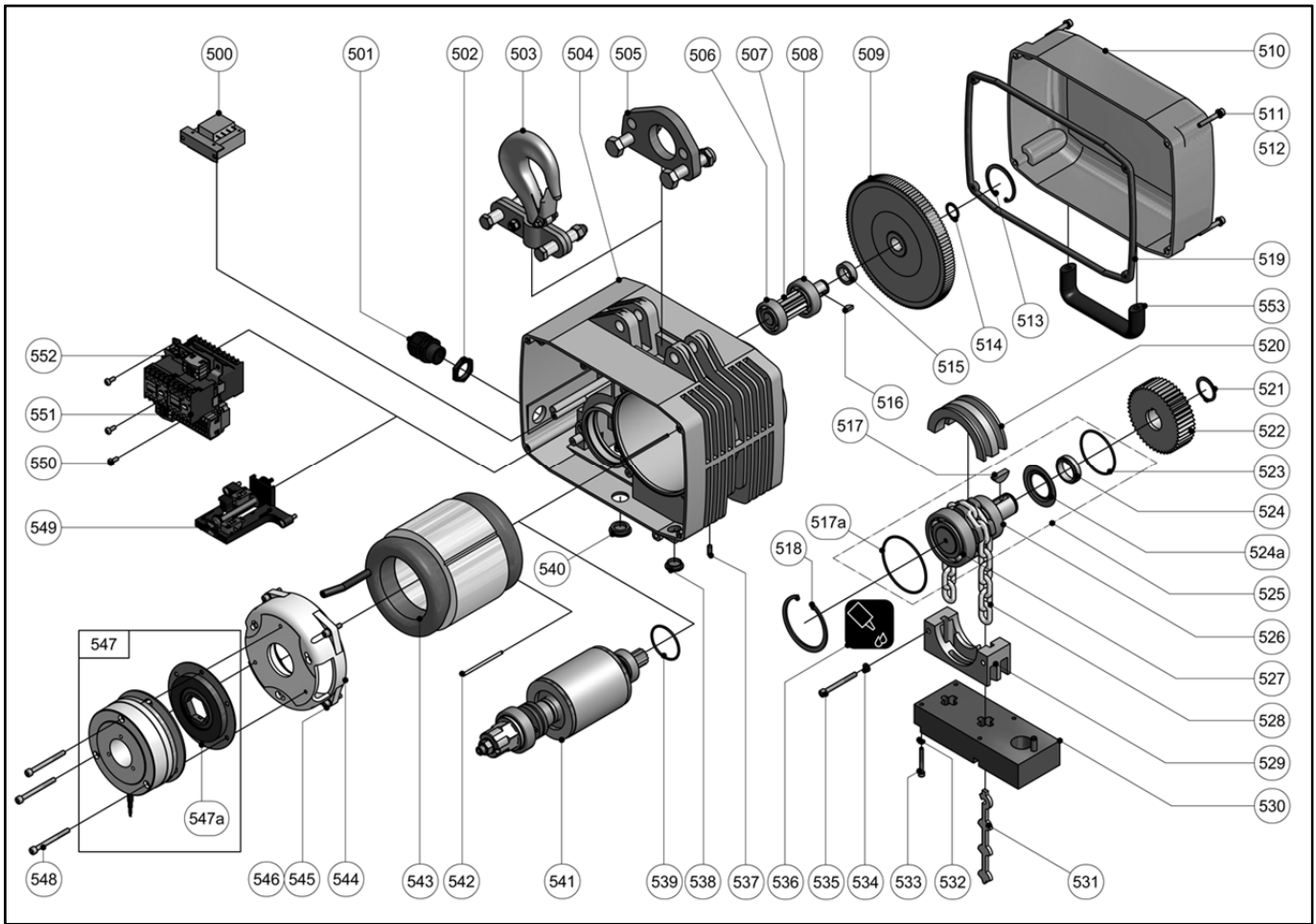
 SWISS QUALITY

LCH 1000



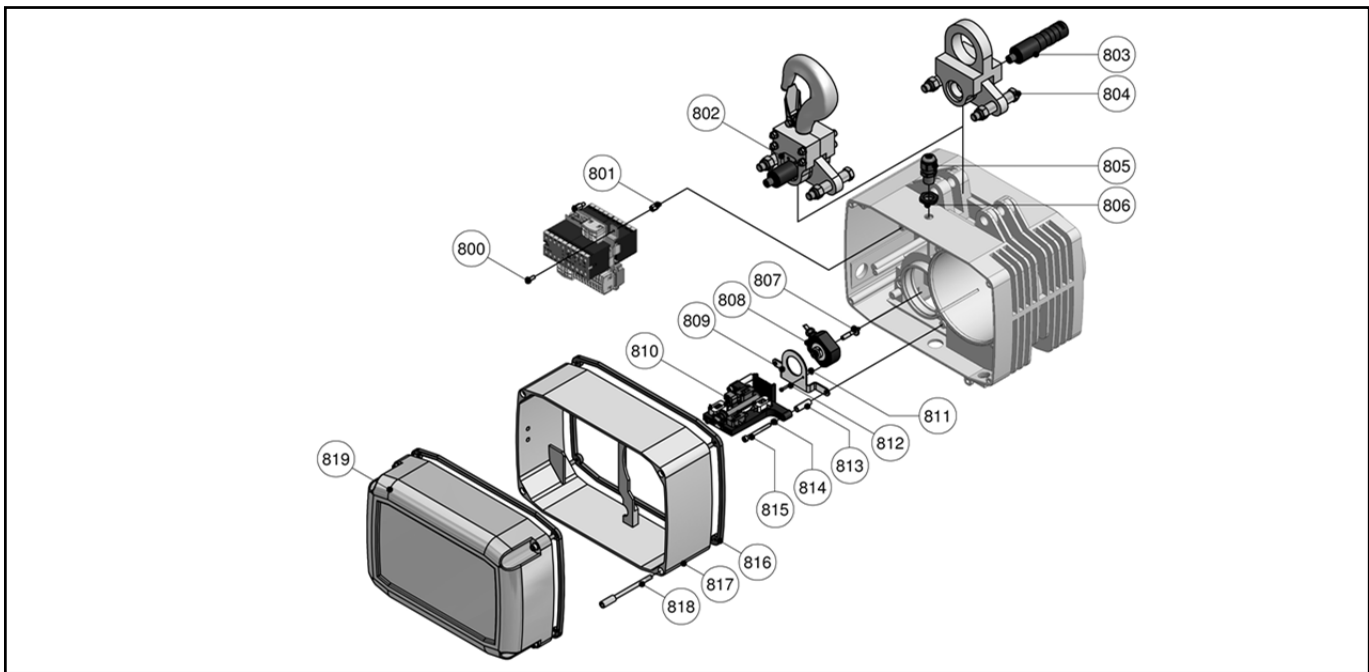
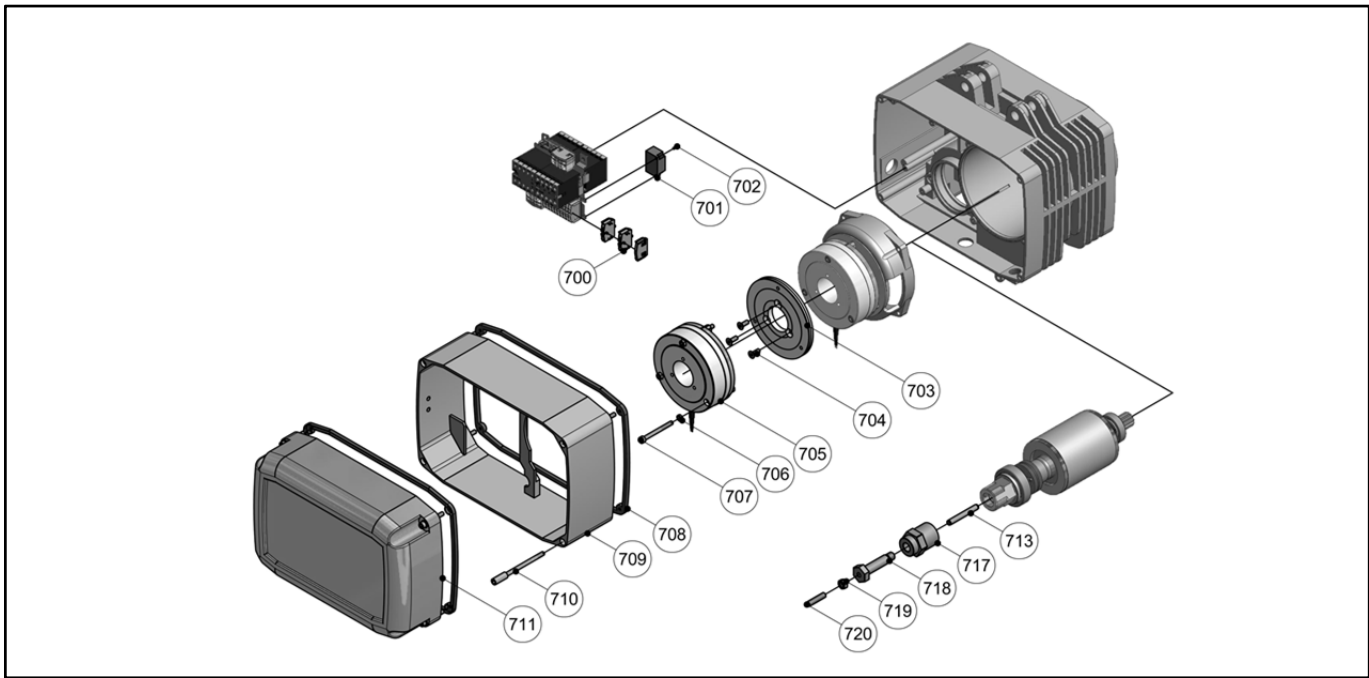
M A D E I N S W I T Z E R L A N D





		LCH 1000
500	230/42V 50/60Hz	9056.4500.4
	400/42V 50/60Hz	9056.4501.4
501	M25 x 1.5	9055.3103
502	M25 x 1.5	9055.4013
503	137 x 174	9405.3093.3
504	321 x 283 x 213.5	9405.3000.0
505	86/15 x 137	9405.3039.4
506	6204, 20/47 x 14	9038.0018
507	ø30.55 x 107.5	9405.3025.3
508	6304, 20/52 x 15	9038.0021
509	ø191 z=129	9405.3022.3
510	321 x 214 x 90	9405.4502.3
511	M6 x 40, In-6kt	9030.0279
512	M6, Polyamid	9031.3704
513	l 52 x 2	9031.2206
514	A 20 x 1.2	0031.1013
515	30/4.5 x 9.5	9400.3029.4
516	5 x 7.5 x 18.57	9036.0605
517	8 x 11 x 27.35	9036.0602
517a	ø80 x 2.5	9035.0025
518	l 80 x 2.5	0031.1132
519	323 x 216 x 6	9405.3002.3
520	108 x 54 x 44	9405.3011.3
521	A 30 x 1.5	0031.1018
522	ø99.55 z=46	9405.3023.4
523	ø62 x 2.5	9035.0016
524	ø40/30.5 x 9.5	9405.3032.4
524a	6206 ZJV, 36.3/62 x 2.5	9038.3201
525	ø79 x 124.5, 5T	9405.3305.4
526	6206-2DVH, 30/62 x 16	0038.1149
527	6208-2RS1, 40/80 x 18	0038.1151
528	7 x 22	9039.0023
529	121 x 50 x 44	9405.3012.3
530	80/40 x 200	9405.3058.4
531	236 x 23 x 5 (7 mm)	9041.6022
532	M5	9031.3902
533	M5 x 40	9030.0268
534	M6	9031.3903
535	M6 x 70	9030.0283
536	0.25 l	9041.0007
537	DIN 916 M6 x 16	9030.2013
538	M20 x 1.5	9055.3512
539	ø47 x 2.5	9035.0015
540	M25 x 1.5	9055.3513
541	1-t ø102.4 x 110, 4 m/min	9405.3291.3
	1-t ø79.4 x 90, 8 m/min	9405.3266.3
	2-t ø89.2 x 100, 8/2 m/min	9405.3240.3
	2-t ø79.2 x 130, 16/4 m/min	9405.3241.3
542	ø4 x 75	9230.3097.4
543	L=90, 3Ph 230/400V 50Hz, -N	9407.0200.3
	L=110, 3Ph 400V 50Hz, -NL	9407.0350.3
	L=100, 3Ph 400V 50Hz, -NF	9407.0500.3
	L=130, 3Ph 400V 50Hz, -SF	9407.0400.3
544	ø156 x 52.5	9405.3232.2
545	M6 x 25	9030.0276
546	M6	9031.3903
547	20 Nm 100-125 VAC	9050.4062
	20 Nm 200-240 VAC	9050.4063
	20 Nm 360-420 VAC	9050.4064
	20 Nm 440-480 VAC	9050.4065
	20 Nm 500-575 VAC	9050.4066
	20 Nm 690 VAC	9050.4067
547a	ø128 x 11.8	9405.3286.4
548	M6 x 65/24	9030.0011
549	119 x 103.5, kompl.	9401.3015.3
	119 x 103.5, NA kompl.	9401.3018.3
550	M5 x 12	0030.3468
551	1-t NA 100-480/42V	9402.1550.2
	1-t NA 500-690/42V UL	9402.1551.2
	2-t NA 100-480/42V	9402.1650.2
	2-t NA 500-690/42V UL	9402.1651.2
	WAGO 100-480V	9402.1260.4
	WAGO 100-480V PMS	9402.1264.3
552	1.6A	9052.0012
553	148 x 53 x 26	9405.3059.4

		LCH 1000
600	2K NA 3 m	9290.1086.3
	2K NA 4 m	9290.1087.3
	2K NA 5 m	9290.1088.3
	2K NA 6 m	9290.1089.3
	2K NA 8 m	9290.1090.3
	2K NA 10 m	9290.1091.3
	2K NA 12 m	9290.1092.3
	2K NA 15 m	9290.1093.3
	2K NA 20 m	9290.1094.3
601	L=50	9031.8004
602	M20 x 1.5	9055.3102
603	5 x 0.75 mm², L=	9055.0110
604	2K NA	9290.1084.3
620	1-t ø79.4 x 90	9405.3035.3
	2-t ø89.2 x 100	9405.3036.3
	2-t ø79.2 x 130	9405.3037.3
621	25/29 x 17	9038.0261
622	ø50 x 6.5	9405.3021.4
623	ø50 x 3	9405.3013.4
624	A 25 x 1.2	0031.1016
625	ø19.5 x 2.5	9035.0024
626	6005 LLUA, 25/47 x 12	9038.0005
627	A 30 x 1.5	0031.1018
628	6206 2RS, 30/62 x 16	0038.1149
629	ø48/31 x 0.2	9405.3251.4
630	ø49/39 x 5	9221.3177.4
631	ø48/37.5 x 0.4	9405.3043.4
632	ø6 x 40	9031.5857
633	ø37 x 296.5	9405.3235.3
638	ø19 x 3	9405.3230.4
639	ø20/10 x 25	9034.1010
640	ø18 x 48.5	9405.3231.4
641	M12 x 30	9030.2017
642	M12	0031.0040
643	ø16/22 x 2	9031.3205
644	l 22 x 1	9031.2222
645	ø22/M12 x 7.7	9405.3311.4
650	212 x 192 x 320, 1000/15, XS	9405.3298.3
	212 x 192 x 420, 1000/24, S	9405.3299.3
	212 x 192 x 590, 1000/40, M	9405.3300.3
	212 x 192 x 940, 1000/72, XL	9405.3301.3
651	M8, Nylon	9031.1277
652	M6, Nylon	9031.1276
653	149.5 x 180 x 130	9405.3297.2
654	72 x 36 x 65	9225.3021.3
655	M6 x 100/24	9030.0285
656	M8 x 100/28	9030.0319
660	166.5 x 106.2	9405.3280.4
661	ø47 x 18	9225.3096.4
662	ø47/30 x 1	0038.3128
663	ø47/30 x 2	9038.0252
664	ø47/30 x 3	9038.1750
665	s=2.0	9220.3482.4
666	44 x 35 x 27	9405.3003.3
667	0.4 t	9220.3470.4
	0.5 t	9220.3471.4
	0.63 t	9220.3472.4
	0.8 t	9220.3473.4
	1 t	9220.3474.4
	1.25 t	9220.3475.4
	1.6 t	9220.3476.4
	2 t	9221.3412.4
668	3 x 5	9031.6604
670	110 x 98 x 151	9405.3087.2
671	ø78 x 85.6	9225.3041.4
672	72 x 72 x 77	9405.3086.2
673	ø8 x 49	9220.3166.4
680	ø47 x 70	9405.3144.4
681	ø25 x 70	9405.3143.4
682	153.5 x 88.5 x 27, A601	9401.3145.4



LCH 1000		
700	32 x 22.5 x 6	9058.0041
701	PMEA 500-S, 100-480V	9400.3181.4
702	M3 x 8	9030.8030
703	ø130 x 9	9405.3248.4
704	M6 x 16	9030.1801
705	20 Nm 200-240 VAC	9050.4063
	20 Nm 360-420 VAC	9050.4064
706	ø10/6.2 x 3	9405.3260.4
707	M6 x 60	9030.0282
708	323 x 216 x 6	9405.3002.3
709	321 x 214 x 95	9405.3007.3
710	M6 x 105	9408.3095.4
711	321 x 214 x 90	9405.4502.3
713	M6 x 60	9031.5861
717	6kt. ø36 x 51.7	9405.3309.4
718	M12 x 61	9405.3310.4
719	M8	0031.0008
720	M8 x 35	9030.2018

LCH 1000		
800	M5 x 12	0030.3468
801	M5 x 20	9058.0608
802	218 x 137 x 60	9405.3065.3
803	ø27 x 115, 0-10V	9405.3063.4
804	132 x 137 x 60	9405.3064.3
805	M16 x 1.5	9055.3120
806	M16 x 1.5	9055.4011
807	ø10 x 36	9401.3072.4
808	ICH510-060-R33-1000	9053.0009
809	119 x 59.75 x 16	9401.3069.4
810	119 x 103.5, kompl.	9401.3015.3
	119 x 103.5, NA kompl.	9401.3018.3
811	M3	0031.0034
812	M3 x 18	9030.9134
813	ø9/1.5 x 27.5	9401.3075.4
814	M5	9031.3902
815	M5 x 50/22	9030.0270
816	323 x 216 x 6	9405.3002.3
817	321 x 214 x 95	9405.3007.3
818	M6 x 105	9408.3095.4
819	321 x 214 x 90	9405.4502.3