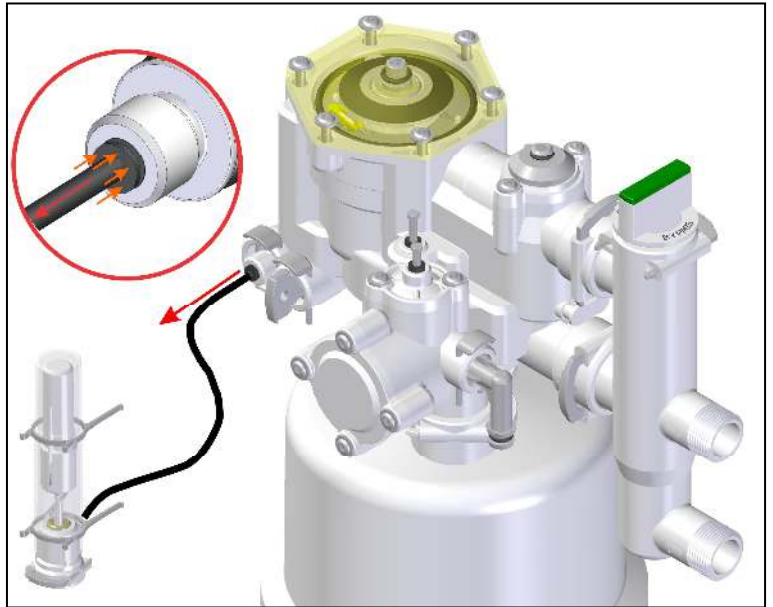


INSTRUCTION SHEET - DELTA CLEAN

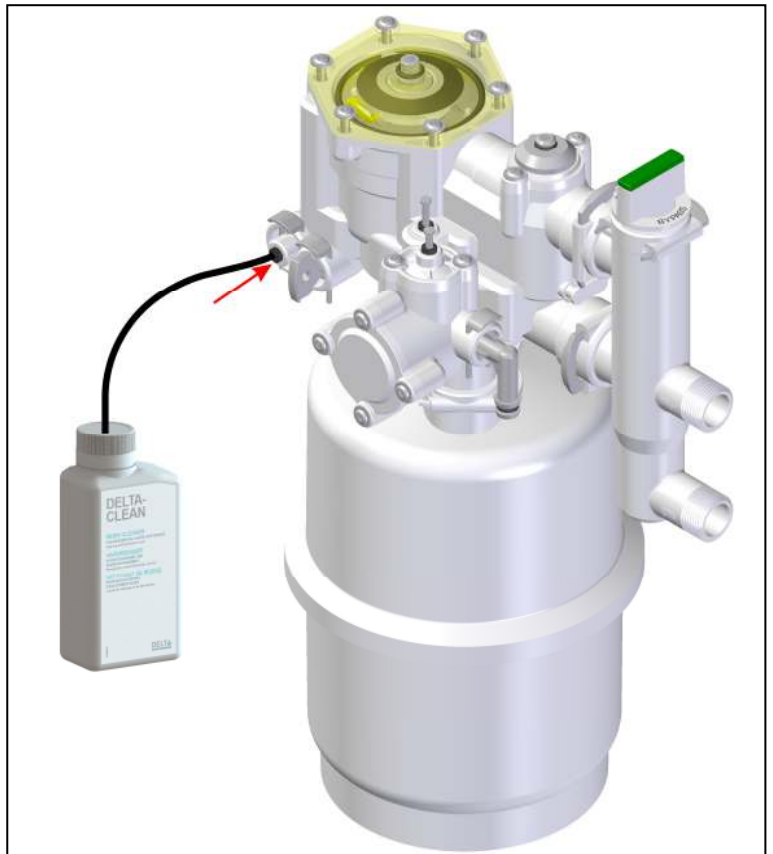
! IMPORTANT NOTICE

- *ONLY USE OUR PROPRIETARY RESIN CLEANING AGENT TO SANITIZE THE DEVICE! NEVER USE ANY OTHER RESIN CLEANING AGENTS, AS THEY MAY DAMAGE THE PLASTIC COMPONENTS OF THE DEVICE AS WELL AS THE ION EXCHANGE RESIN.*
- *THIS PRODUCT CAN CAUSE SEVERE SKIN BURNS AND EYE DAMAGE. WEAR NECESSARY EYE AND SKIN PROTECTION! PRECAUTIONARY STATEMENTS: Harmful if swallowed. Contact with acids liberates toxic gas. Do not eat, drink or smoke when using this product. Wash hands thoroughly after handling. IF SWALLOWED: Call a POISON CENTER. IF IN EYES: Rinse cautiously with water for several minutes. Remove contact lenses, if present and easy to do. Continue rinsing. Causes severe skin burns and eye damage.*

1. Disconnect the black tubing from the quick-connect fitting on the control valve; push the black ring on the fitting and pull out the black tubing.

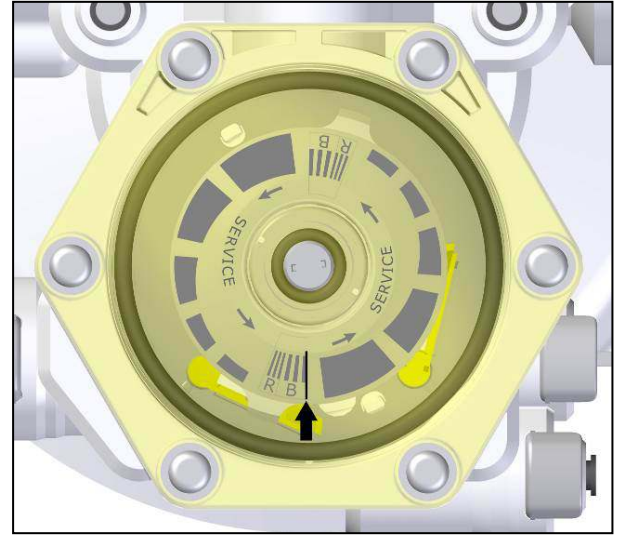
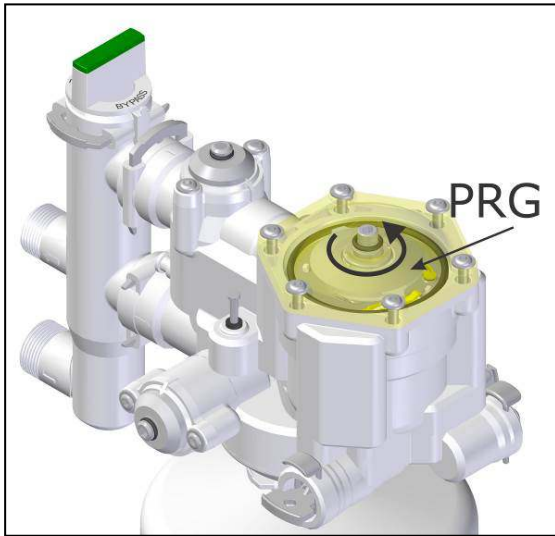


2. Connect one end of a piece of tubing $\varnothing 4$ mm to the quick-connect fitting on the control valve; push it in as far as possible.

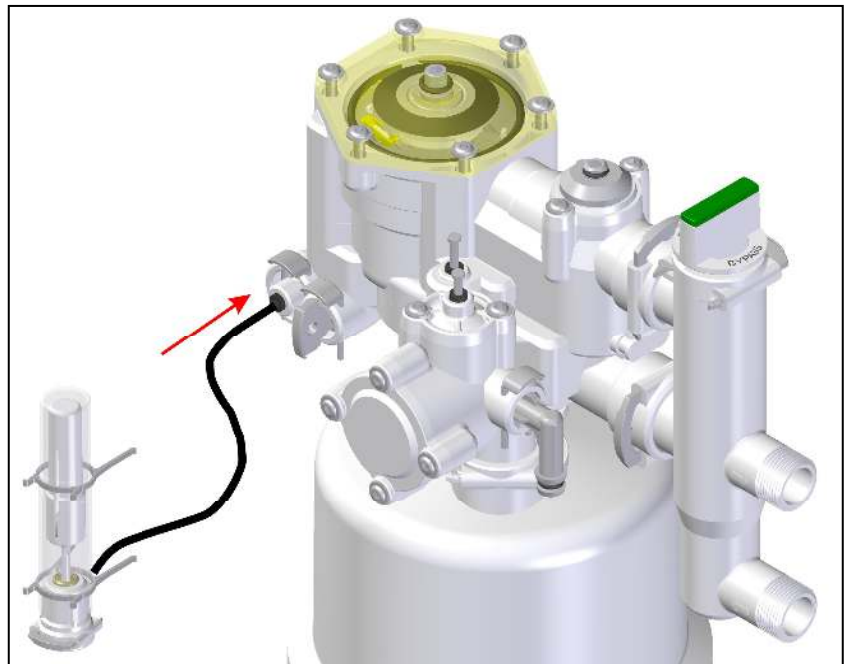


3. Put the other end of the tubing into the bottle of Delta Clean.

4. Using a hex key n° 5, turn the program disc (PRG) counter clockwise, until the area marked "B" (= brining) lines up with the arrow on the transparent cover; a regeneration will start. Shortly after the control valve will start to suck up the solution from the bottle of Delta Clean.



5. Let the control valve suck up $\pm 125\text{ml}$ Delta Clean.
6. Remove the tubing from the bottle of Delta Clean and disconnect it from the quick-connect fitting on the control valve.
7. Reconnect the original black tubing to the quick-connect fitting on the control valve; push it in as far as possible.



8. Allow the device to complete the regeneration, which will take approx. 15 min; afterwards, the device will automatically return to the service position.
9. Check the drain hose from the control valve; there should not be any water flow.
10. Open a cold water faucet downstream of the device and let the water run until all air is purged; close the faucet.