



# PHOENIX GOLD



## INSTRUCTION MANUAL PLUG & PLAY DSP AMPLIFIER

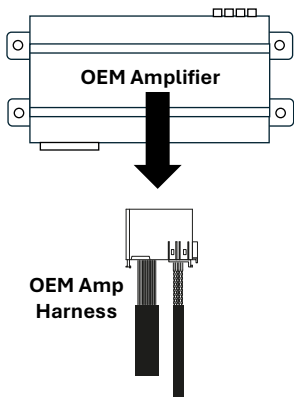
**IMPORTANT:** Technical knowledge is necessary for installation. Please ensure that the correct tools are used during the installation to avoid damage to the vehicle or product. Phoenix Gold can not be held responsible for the installation of this product.

[PHOENIXGOLD.COM](http://PHOENIXGOLD.COM)

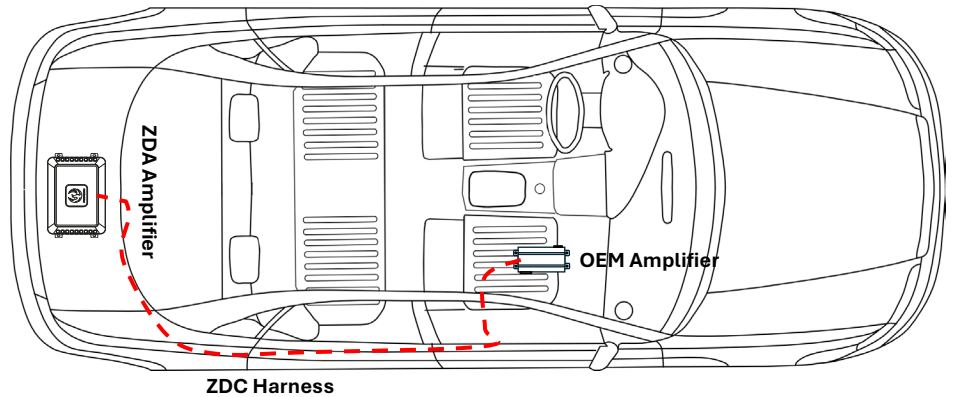
# INSTRUCTION MANUAL

Prior to installation the vehicle battery should be disconnected so no power is running to any of the electrics in the vehicle.

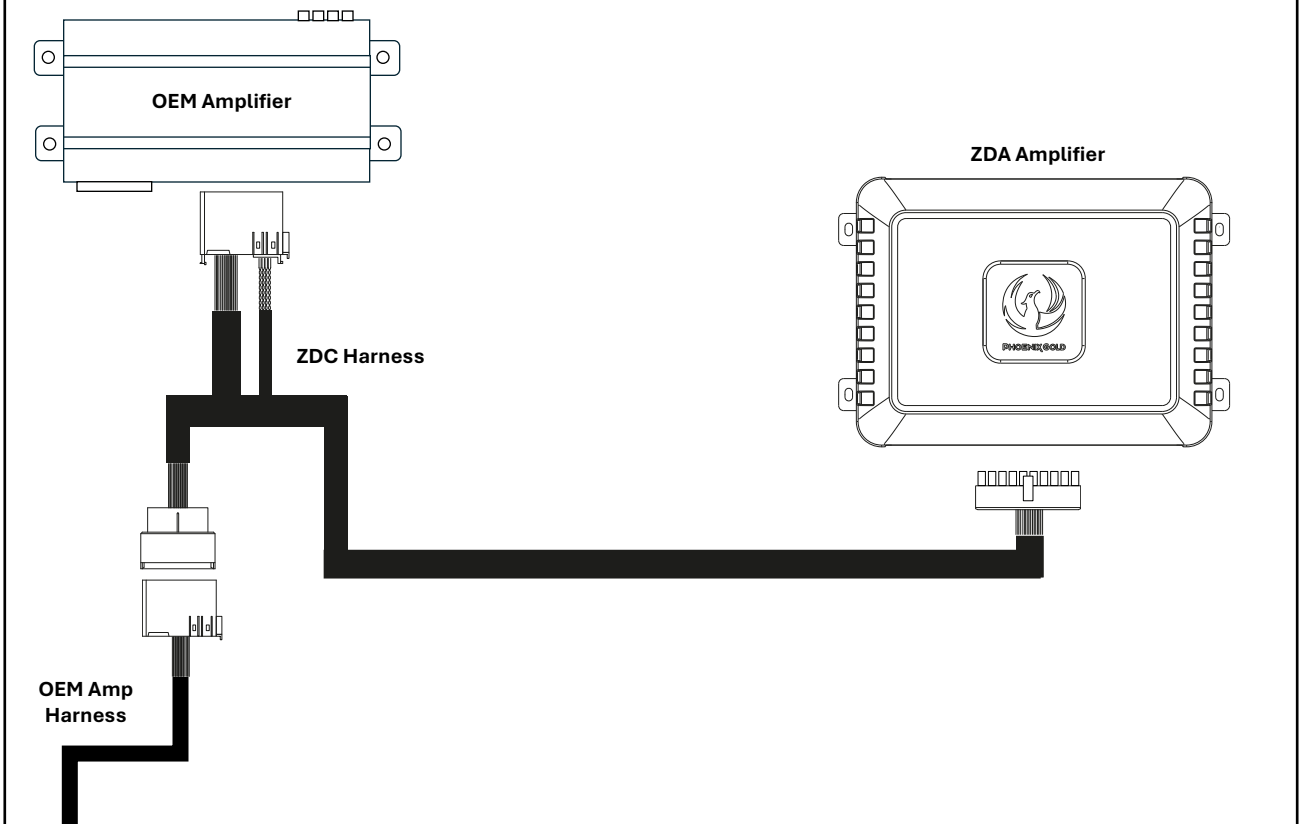
## STEP 1



Example: OEM Amplifier located under front seat



## STEP 2



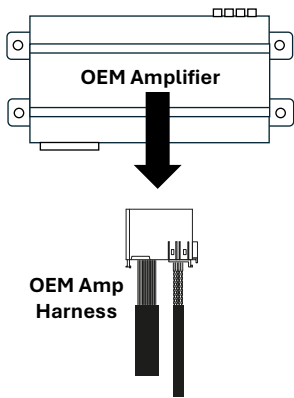
1. Disconnect the OEM amplifier harness from the OEM amplifier.
2. Connect the fitting end of the ZDC harness to the OEM amplifier.
3. Connect the other end to the OEM amplifier harness to the ZDC harness
4. Run the ZDC harness from the OEM amplifier through the vehicle to the location of where you will position your amp. We would advise installing the ZDA amplifier in the boot of the vehicle.

**NOTE:** The information show above is a guide ONLY to installing the ZDA Amp under the passenger seat. Please be advised that we would also recommend a trained professional auto electrician carry out the install of any of our products.

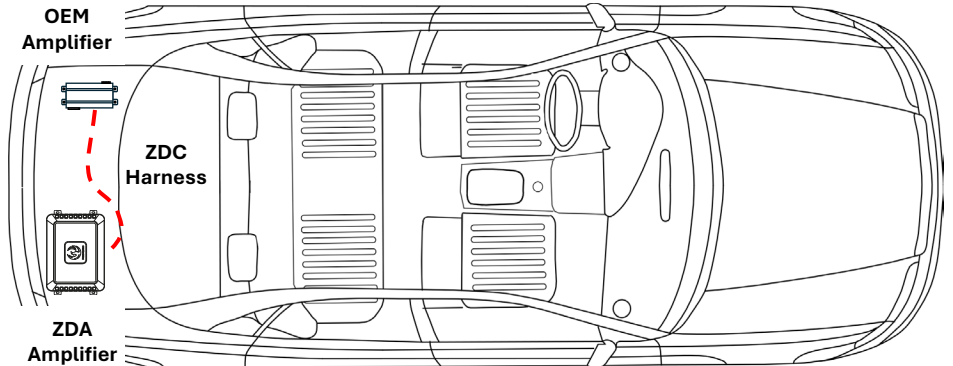
# INSTRUCTION MANUAL

Prior to installation the vehicle battery should be disconnected so no power is running to any of the electrics in the vehicle.

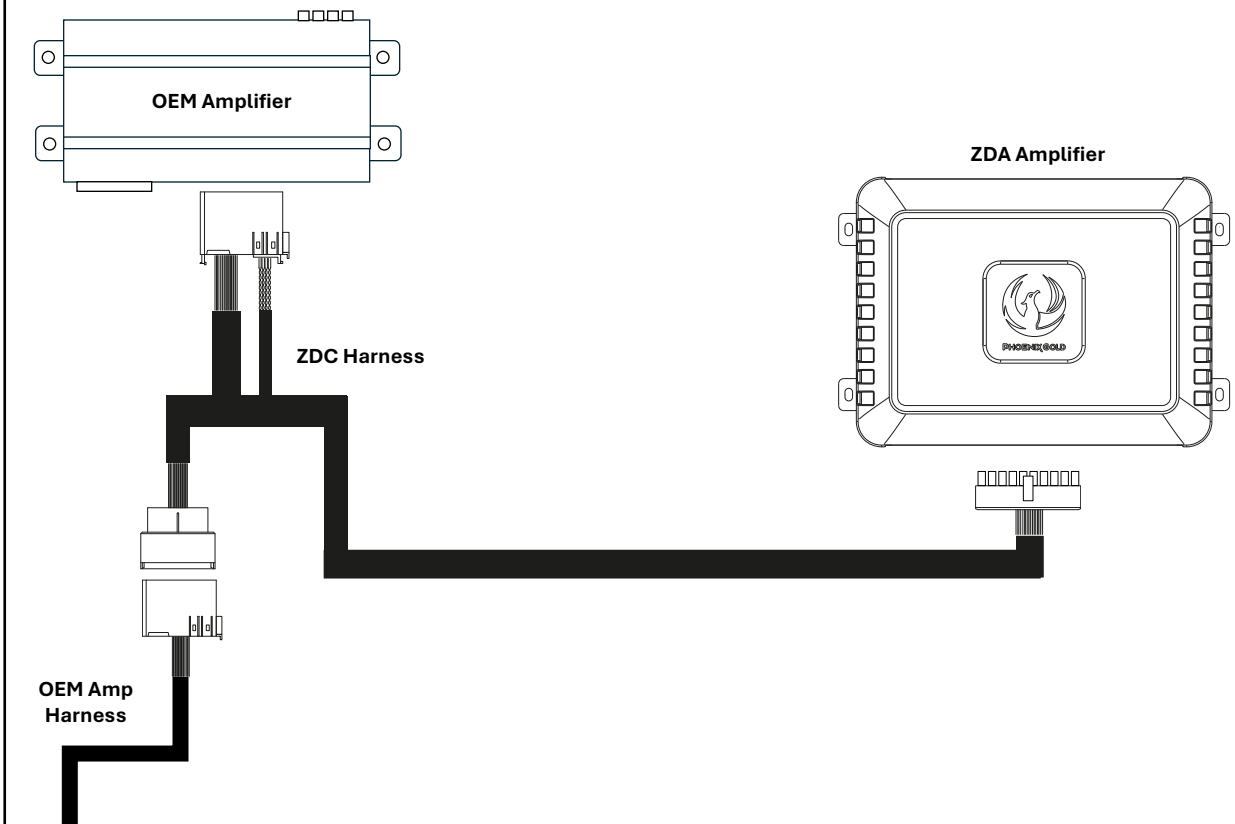
## STEP 1



Example: OEM Amplifier located in the boot



## STEP 2



1. Disconnect the OEM amplifier harness from the OEM amplifier.
2. Connect the fitting end of the ZDC harness to the OEM amplifier.
3. Connect the other end to the OEM amplifier harness to the ZDC harness
4. Run the ZDC harness from the OEM amplifier to the location of where you will position your amp. We would advise installing the ZDA amplifier in the boot of the vehicle.

**NOTE:** The information show above is a guide ONLY to installing the ZDA Amp under the passenger seat. Please be advised that we would also recommend a trained professional auto electrician carry out the install of any of our products.