

PM 90 / PM 90E

TRENCH HEATER WITH NATURAL CONVECTION
WITH UNIVERSAL CONSTRUCTION



CHARACTERISTICS

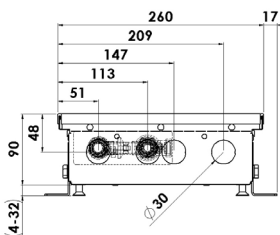
- **STANDARD** - the body of the convector is made from a **high quality stainless steel**
- **ECONOMY LINE / E** - made of **galvanised steel** sheet with internal black coating
- high natural convection
- short response time
- **universal right-left design**
- the new design enables joining the convectors into any long joint

DIMENSIONS

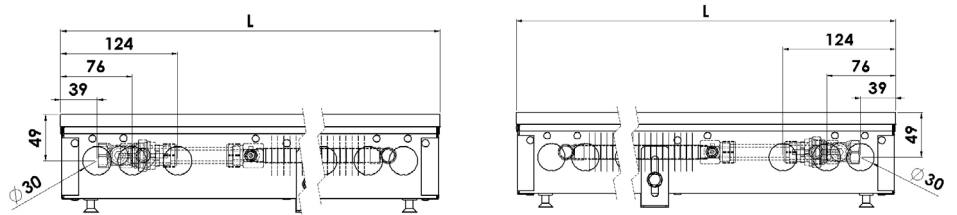
width - with standard frame	260 mm
width - with covering frame	206 mm
height	90 mm
length	900 - 3000 mm
connection *	G1/2"

* internal thread on the heat-exchanger, without water connection accessories

CROSS SECTION



LONGITUDINAL SECTION

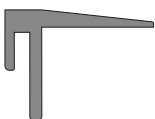


FRAMES

- Standard frame (AL-aluminium)



- Covering frame (AL-aluminium)

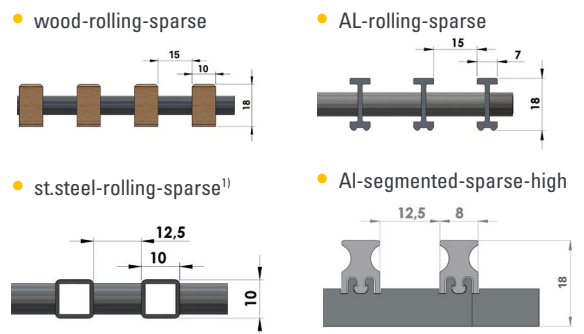


GRILLES - materials



(shades of the grilles are only illustrative)

GRILLES - profile



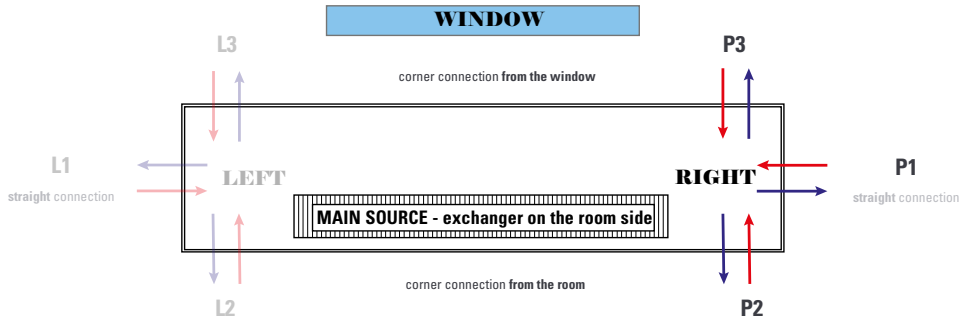
1) the grille must be ordered with the convector due to the modification of the convector construction

Standard grilles are transverse, if you are interested in **LONGITUDINAL GRILLES**, please contact your sales representative.

UNIVERSAL ORIENTATION AND CONNECTION OF THE CONVECTOR

Supplied as a **RIGHT VERSION**, but can be converted to the left version by the customer. In the case of atypical production (joints / corners of convectors) the design is set according to the approved drawing documentation.

If the convector is used as an **additional heat source** which prevents the condensation of the window, the correct position of the exchanger is at the window side. Water connection (**straight R1 / corner R2 or R3**) must be specified with the order of the convector.



HEATING OUTPUT

length L [mm]	heating output Q [W]			
	input / output water temperature [°C]	air temperature tA [°C]		
		15	20	22
09 = 900	85/75	298	267	254
	75/65	237	207	196
	65/55	179	153	142
	45/40	91	69	61
10 = 1000	85/75	347	311	297
	75/65	276	242	229
	65/55	209	178	166
	45/40	106	81	71
12 = 1250	85/75	471	422	403
	75/65	374	328	311
	65/55	284	242	225
	45/40	144	110	96
15 = 1500	85/75	595	533	509
	75/65	473	415	392
	65/55	359	305	285
	45/40	182	138	122
17 = 1750	85/75	719	644	615
	75/65	572	501	474
	65/55	434	369	344
	45/40	220	167	147
20 = 2000	85/75	843	755	721
	75/65	670	588	556
	65/55	509	433	403
	45/40	258	196	173
22 = 2250	85/75	967	866	827
	75/65	769	674	637
	65/55	583	496	462
	45/40	296	225	198
25 = 2500	85/75	1091	977	933
	75/65	867	761	719
	65/55	658	560	522
	45/40	334	254	223
27 = 2750	85/75	1215	1088	1039
	75/65	966	847	801
	65/55	733	623	581
	45/40	372	283	249
30 = 3000	85/75	1339	1200	1145
	75/65	1064	934	883
	65/55	808	687	640
	45/40	410	311	274

EXAMPLE OF ORDER CODE

stainless steel

KPSA U 260 09* 090 21A

galvanised steel

KPSA U 260 09* 090 25A



* length complete according to the specification of the convector

Orientation: U = universal connection

CONNECTION OPTIONS AND ACCESSORIES

- connection **WITHOUT HEAD**
- connection **WITH A THERMOSTATIC HEAD**
- connection **WITH A CUSTOMER HEAD** (after consultation)

The type of connection accessories varies according to the type and purpose of the convector. Connection accessories are packed separately and are not included in the standard convector delivery. Information on request from your sales representative or on our website.

Convectors are designed to the **CONCRETE FLOOR**, in case of **HOLLOW FLOOR** installation, please consult with your sales representative.

The standard delivery includes convector, anchoring accessories and standard frame. All other accessories (grille, connection accessories, control elements, etc.) must be ordered and specified separately.

The technical parameters are set according to the relevant standards. In fact, they may vary depending on the location of the convector, the cover grille, the connection type.

As a part of the product development, MINIB, a.s. reserves the right of construction and price adjustments.

INDIVIDUAL CALCULATION
of technical data you can
find on our website.

