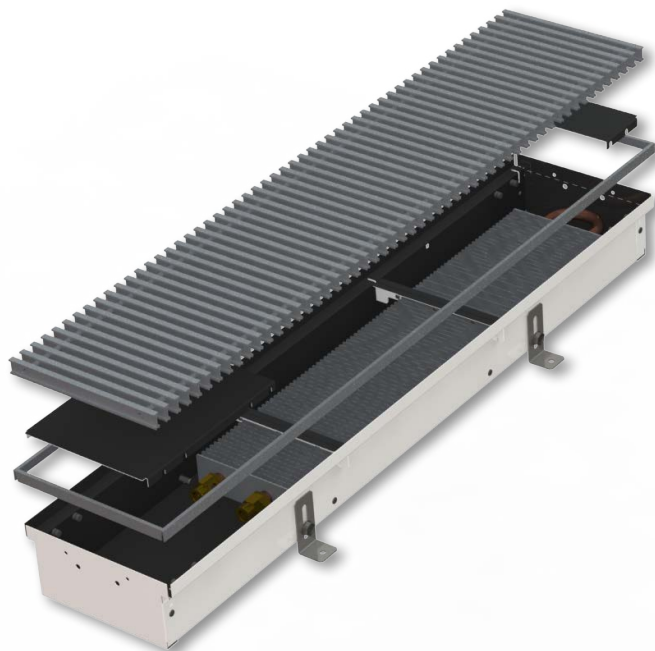


PB 90 / PB 90E

TRENCH HEATER WITH NATURAL CONVECTION
WITH UNIVESRAL CONSTRUCTION



CHARACTERISTICS

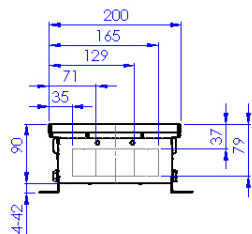
- **STANDARD** - the body of the convector is made from a **high quality stainless steel**
- **E** - made of **galvanised steel** sheet with internal black coating
- high natural convection
- short response time
- **universal right-left design**
- the new design enables joining the convectors into any long joint

DIMENSIONS

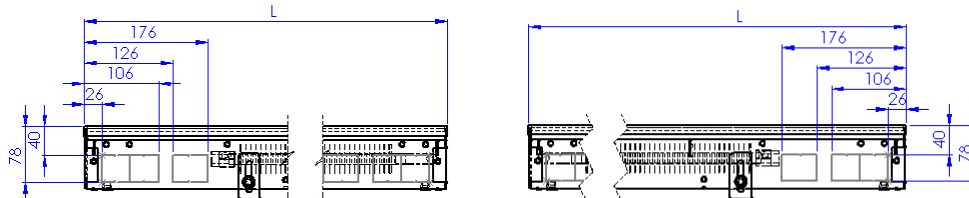
width - with standard frame	200 mm
width - with covering frame	226 mm
height	90 mm
length ¹⁾	900 - 3000 mm
connection ²⁾	G1/2"

* internal thread on the heat-exchanger, without water connection accessories

CROSS SECTION



LONGITUDINAL SECTION

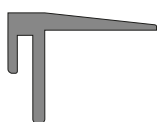


FRAMES

- Standard frame (AL-aluminium)



- Covering frame (AL-aluminium)

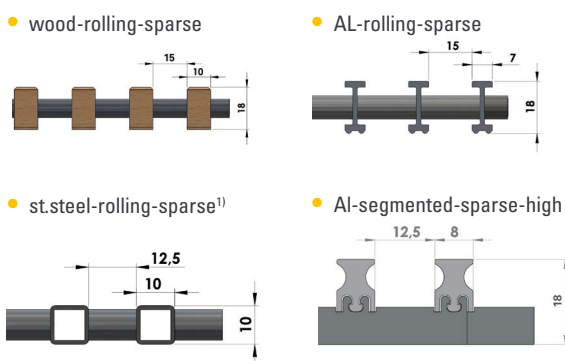


GRILLES - materials



(shades of the grilles are only illustrative)

GRILLES - profile



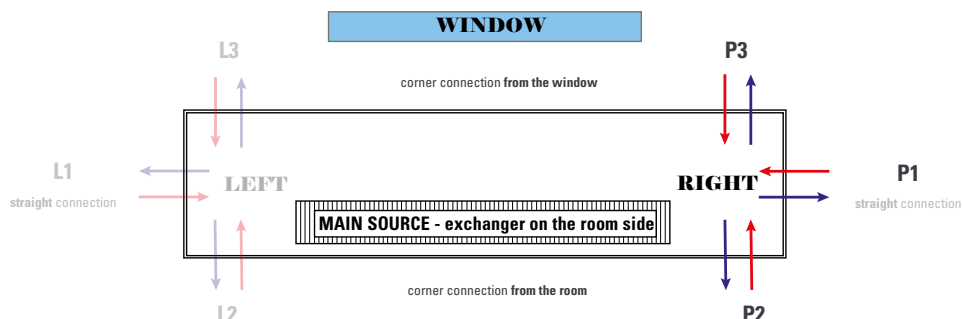
1) the grille must be ordered with the convector due to the modification of the convector construction

Standard grilles are transverse, if you are interested in **LONGITUDINAL GRILLES**, please contact your sales representative.

UNIVERSAL ORIENTATION AND CONNECTION OF THE CONVECTOR

Supplied as a **RIGHT VERSION**, but can be converted to the left version by the customer. In the case of atypical production (joints / corners of convectors) the design is set according to the approved drawing documentation.

If the convector is used as an **additional heat source** which prevents the condensation of the window, the correct position of the exchanger is at the window side. Water connection (**straight R1 / corner R2 or R3**) must be specified with the order of the convector.



HEATING OUTPUT

length L [mm]	input / output water temperature [°C]	heating output Q [W]		
		air temperature tA [°C]		
		15	20	22
09 = 900	85/75	239	214	204
	75/65	190	166	157
	65/55	143	122	113
	45/40	72	55	48
10 = 1000	85/75	279	250	238
	75/65	221	194	183
	65/55	167	142	132
	45/40	84	64	56
12 = 1250	85/75	379	339	323
	75/65	300	263	248
	65/55	227	193	179
	45/40	114	86	76
15 = 1500	85/75	478	428	408
	75/65	379	332	314
	65/55	287	243	226
	45/40	144	109	96
17 = 1750	85/75	578	517	493
	75/65	458	401	379
	65/55	346	294	274
	45/40	174	132	116
20 = 2000	85/75	678	606	578
	75/65	537	470	444
	65/55	406	345	321
	45/40	205	155	136
22 = 2250	85/75	777	695	663
	75/65	616	539	510
	65/55	466	395	368
	45/40	235	177	156
25 = 2500	85/75	877	784	748
	75/65	695	609	575
	65/55	525	446	415
	45/40	265	200	176
27 = 2750	85/75	976	873	833
	75/65	774	678	640
	65/55	585	497	462
	45/40	295	223	196
30 = 3000	85/75	1076	963	918
	75/65	853	747	706
	65/55	645	547	510
	45/40	325	246	216

EXAMPLE OF ORDER CODE

stainless steel

KPSA U 200 09* 090 21A

galvanised steel

KPSA U 200 09* 090 25A



* length complete according to the specification of the convector

Orientation: U = universal connection

CONNECTION OPTIONS AND ACCESSORIES

- connection **WITHOUT HEAD**
- connection **WITH A THERMOSTATIC HEAD**
- connection **WITH A CUSTOMER HEAD** (after consultation)

The type of connection accessories varies according to the type and purpose of the convector. Connection accessories are packed separately and are not included in the standard convector delivery. Information on request from your sales representative or on our website.

Convectors are designed to the **CONCRETE FLOOR**, in case of **HOLLOW FLOOR** installation, please consult with your sales representative.

The standard delivery includes convector, anchoring accessories and standard frame. All other accessories (grille, connection accessories, control elements, etc.) must be ordered and specified separately.

The technical parameters are set according to the relevant standards. In fact, they may vary depending on the location of the convector, the cover grille, the connection type.

As a part of the product development, MINIB, a.s. reserves the right of construction and price adjustments.

INDIVIDUAL CALCULATION
of technical data you can
find on our website.

