

MT



**VERY EFFICIENT TRENCH HEATER
WITH A FAN**



CHARACTERISTICS

- body made from high quality stainless steel
- high forced convection output
- rapid room heating
- heating also when the fan is off
- low electricity consumption
- safe 12V DC voltage
- contains own microprocessor-controlled unit
- also suitable for heat pump
- electronically commutated (EC) motor

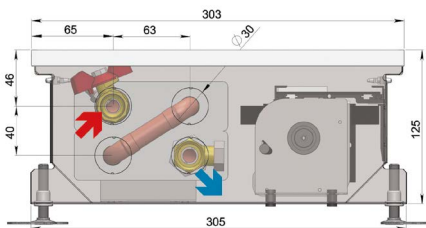
DIMENSIONS

| | |
|-----------------------------|---------------|
| width - with standard frame | 303 mm |
| width - with covering frame | 329 mm |
| height | 125 mm |
| length | 900 - 3000 mm |
| connection * | G1/2" |

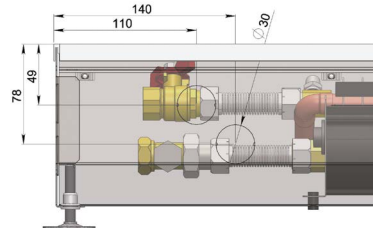
* internal thread on the heat-exchanger, without water connection accessories



CROSS SECTION



LONGITUDINAL SECTION

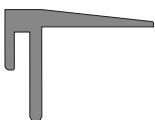


FRAMES

- Standard frame (AL-aluminium)



- Covering frame (AL-aluminium)

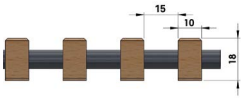
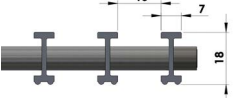
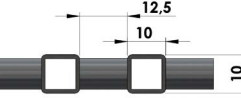
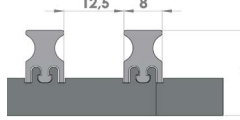


GRILLES - materials

| | | | |
|------------------|---|---|---|
| | oak | maple | beech |
| WOOD |  |  |  |
| | dark bronze | light bronze | silver |
| ALUMINIUM |  |  |  |
| ST. STEEL | stainless steel  | | |

(shades of the grilles are only illustrative)

GRILLES - profile

| | |
|--|--|
| <ul style="list-style-type: none"> • wood-rolling-sparse  | <ul style="list-style-type: none"> • AL-rolling-sparse  |
| <ul style="list-style-type: none"> • st. steel-rolling-sparse¹⁾  | <ul style="list-style-type: none"> • Al-segmented-sparse-high  |

1) the grille must be ordered with the convector due to the modification of the convector construction

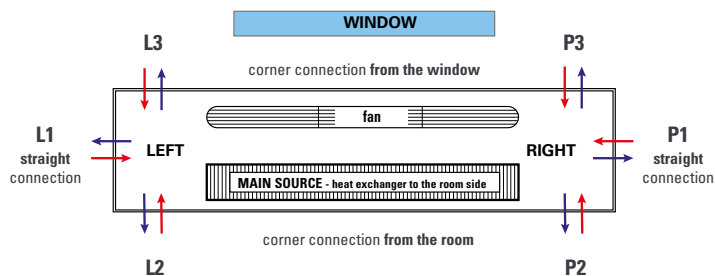
Standard grilles are transverse, if you are interested in **LONGITUDINAL GRILLES**, please contact your sales representative.

Convectors are designed to the CONCRETE FLOOR, in case of HOLLOW FLOOR installation, please consult with your sales representative.

The standard delivery includes convector and anchoring accessories. All other accessories (grille, connection accessories, control elements, etc.) must be ordered and specified separately.

As a part of the product development, MINIB, a.s. reserves the right of construction and price adjustments.

ORIENTATION AND CONNECTION OF THE CONVECTOR



If the convector is used as an **additional heat source** which prevents the condensation of the window (exchanger position at the window side), please consult with your sales representative. Combination of the exchanger position (**room side/window side**), convector type (**left/right**) and water connection (**straight/corner**) must be specified with the order of the convector.

HEATING OUTPUT

| length L [mm] | input / output water temperature [°C] | heating output Q [W] | | | |
|---------------|---------------------------------------|----------------------|---------|---------|---------|
| | | speed | | | |
| | | speed 0 | speed 1 | speed 2 | speed 3 |
| 09 = 900 | 85/75 | 215 | 1401 | 1540 | 2032 |
| | 75/65 | 178 | 1157 | 1272 | 1679 |
| | 65/55 | 141 | 916 | 1007 | 1329 |
| | 45/40 | 77 | 502 | 551 | 727 |
| 10 = 1000 | 85/75 | 251 | 1634 | 1797 | 2370 |
| | 75/65 | 208 | 1350 | 1484 | 1958 |
| | 65/55 | 164 | 1069 | 1175 | 1550 |
| | 45/40 | 90 | 585 | 643 | 849 |
| 12 = 1250 | 85/75 | 341 | 2218 | 2438 | 3217 |
| | 75/65 | 282 | 1832 | 2014 | 2658 |
| | 65/55 | 223 | 1451 | 1595 | 2104 |
| | 45/40 | 122 | 794 | 873 | 1152 |
| 15 = 1500 | 85/75 | 431 | 2802 | 3080 | 4064 |
| | 75/65 | 356 | 2315 | 2545 | 3357 |
| | 65/55 | 282 | 1832 | 2014 | 2658 |
| | 45/40 | 154 | 1003 | 1103 | 1455 |
| 17 = 1750 | 85/75 | 520 | 3385 | 3722 | 4910 |
| | 75/65 | 430 | 2797 | 3075 | 4057 |
| | 65/55 | 340 | 2214 | 2434 | 3211 |
| | 45/40 | 186 | 1212 | 1332 | 1758 |
| 20 = 2000 | 85/75 | 610 | 3969 | 4363 | 5757 |
| | 75/65 | 504 | 3279 | 3605 | 4756 |
| | 65/55 | 399 | 2596 | 2854 | 3765 |
| | 45/40 | 218 | 1421 | 1562 | 2061 |
| 22 = 2250 | 85/75 | 700 | 4553 | 5005 | 6603 |
| | 75/65 | 578 | 3761 | 4135 | 5455 |
| | 65/55 | 458 | 2977 | 3273 | 4319 |
| | 45/40 | 251 | 1630 | 1792 | 2364 |
| 25 = 2500 | 85/75 | 790 | 5136 | 5647 | 7450 |
| | 75/65 | 652 | 4244 | 4665 | 6155 |
| | 65/55 | 516 | 3359 | 3693 | 4872 |
| | 45/40 | 283 | 1839 | 2021 | 2667 |
| 27 = 2750 | 85/75 | 879 | 5720 | 6288 | 8296 |
| | 75/65 | 726 | 4726 | 5195 | 6854 |
| | 65/55 | 575 | 3741 | 4112 | 5426 |
| | 45/40 | 315 | 2048 | 2251 | 2970 |
| 30 = 3000 | 85/75 | 969 | 6304 | 6930 | 9143 |
| | 75/65 | 801 | 5208 | 5725 | 7554 |
| | 65/55 | 634 | 4123 | 4532 | 5979 |
| | 45/40 | 347 | 2257 | 2481 | 3273 |

The technical parameters are set according to the relevant standards. In fact, they may vary depending on the location of the convector, the cover grille, the connection type.

CONNECTION OPTIONS AND ACCESSORIES

- connection **WITHOUT HEAD**
- connection **WITH ELECTROTHERMAL HEAD**
- connection **WITH CUSTOMER HEAD** (after consultation)

The type of connection accessories varies according to the type and purpose of the convector. Connection accessories are packed separately and are not included in the standard convector delivery. Information on request from your sales representative or on our website.

REGULATION OPTIONS

| Type of regulation | Control | Switched sources |
|------------------------------------|---|--|
| EB-A¹⁾ manual | potentiometer ²⁾ | in mounting box: PSB 55W PSB 90W |
| | potentiometer + thermostat | |
| | customer thermostat for 24V or 230V + ADA converter | |
| | BMS superior system | |
| EB-B automatic | thermostat CH-110 | for DIN rail: PSD 55W PSD 90W PSD 115W |
| | thermostat CH-150 | |
| | customer thermostat for 24V or 230V + ADA converter | |
| EB-C semi-automatic | thermostat TH 0482 | |
| | customer thermostat for 24V or 230V + ADA converter | |

IT IS POSSIBLE TO USE YOUR OWN REGULATION.

- 1) it is necessary to reset the control unit-EB-block (by default it is set to EB-B / EB-C)
- 2) external potential-free switching, e.g. via a boiler

EXAMPLE OF ORDER CODE



Orientation: L = left connection / P = right connection

*orientation and length complete according to the specification of the convector

ACOUSTIC PRESSURE

| length L [mm] | Speed | | |
|---------------|---|---------|---------|
| | speed 1 | speed 2 | speed 3 |
| | Equivalent acoustic pressure level LAeq,2m [dB] | | |
| 900 | <20 | 22,1 | 35,1 |
| 1000 | <20 | 22,2 | 35,2 |
| 1250 | <20 | 22,5 | 35,5 |
| 1500 | <20 | 22,8 | 35,7 |
| 1750 | <20 | 23,0 | 36,0 |
| 2000 | <20 | 23,2 | 36,2 |
| 2250 | 21,4 | 24,8 | 37,7 |
| 2500 | 22,9 | 26,3 | 39,2 |
| 2750 | 23,2 | 26,6 | 39,5 |
| 3000 | 23,4 | 26,8 | 39,7 |

measurement at a distance of 2m from the noise source at 1m height

INPUT POWER

| length [mm] | power [W] |
|-------------|-----------|
| 900 | 5 |
| 1000 | 7 |
| 1250 | 8 |
| 1500 | 12 |
| 1750 | 13 |
| 2000 | 14 |
| 2250 | 19 |
| 2500 | 20 |
| 2750 | 24 |
| 3000 | 25 |

INDIVIDUAL CALCULATION of technical data you can find on our website.

