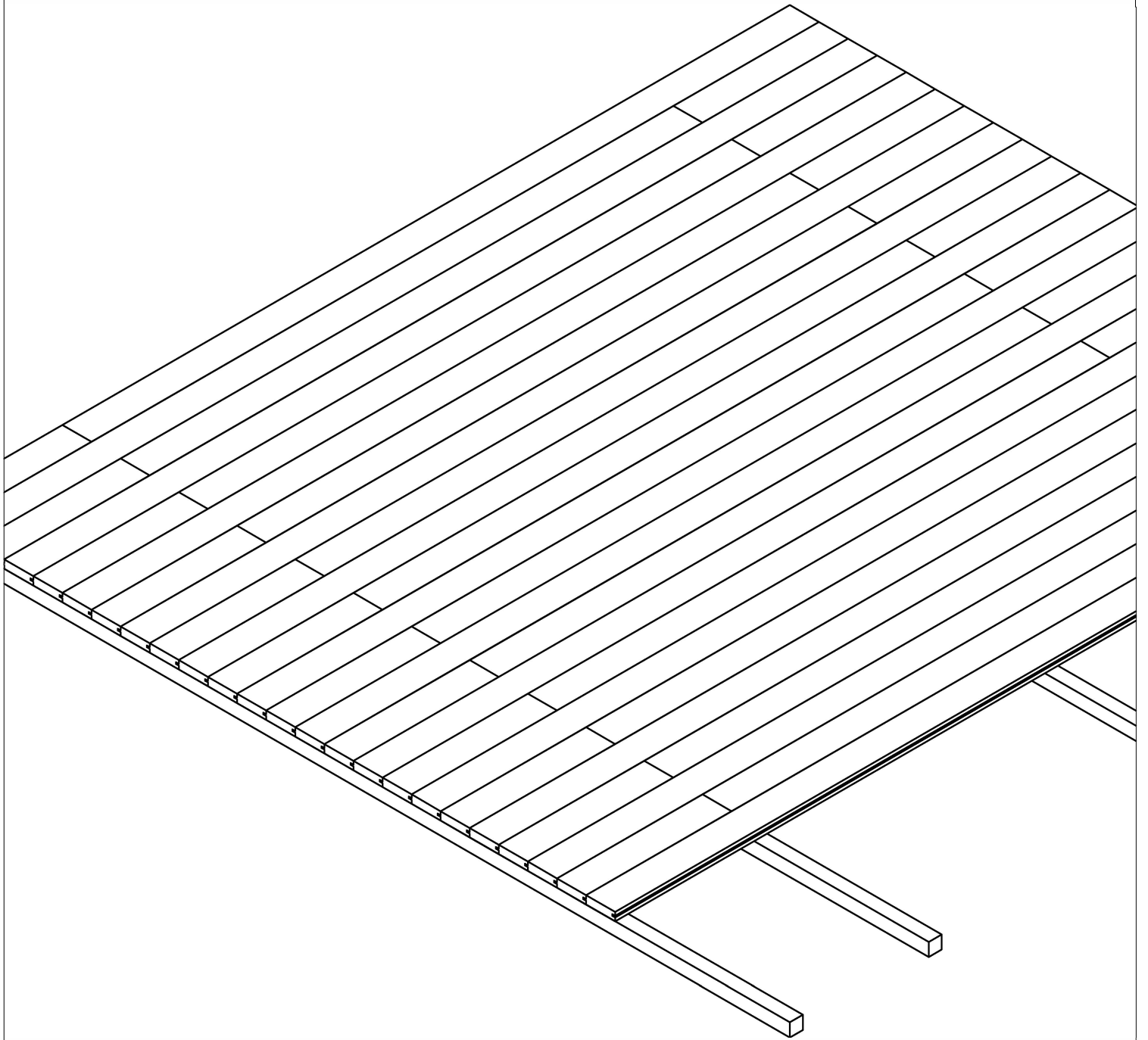
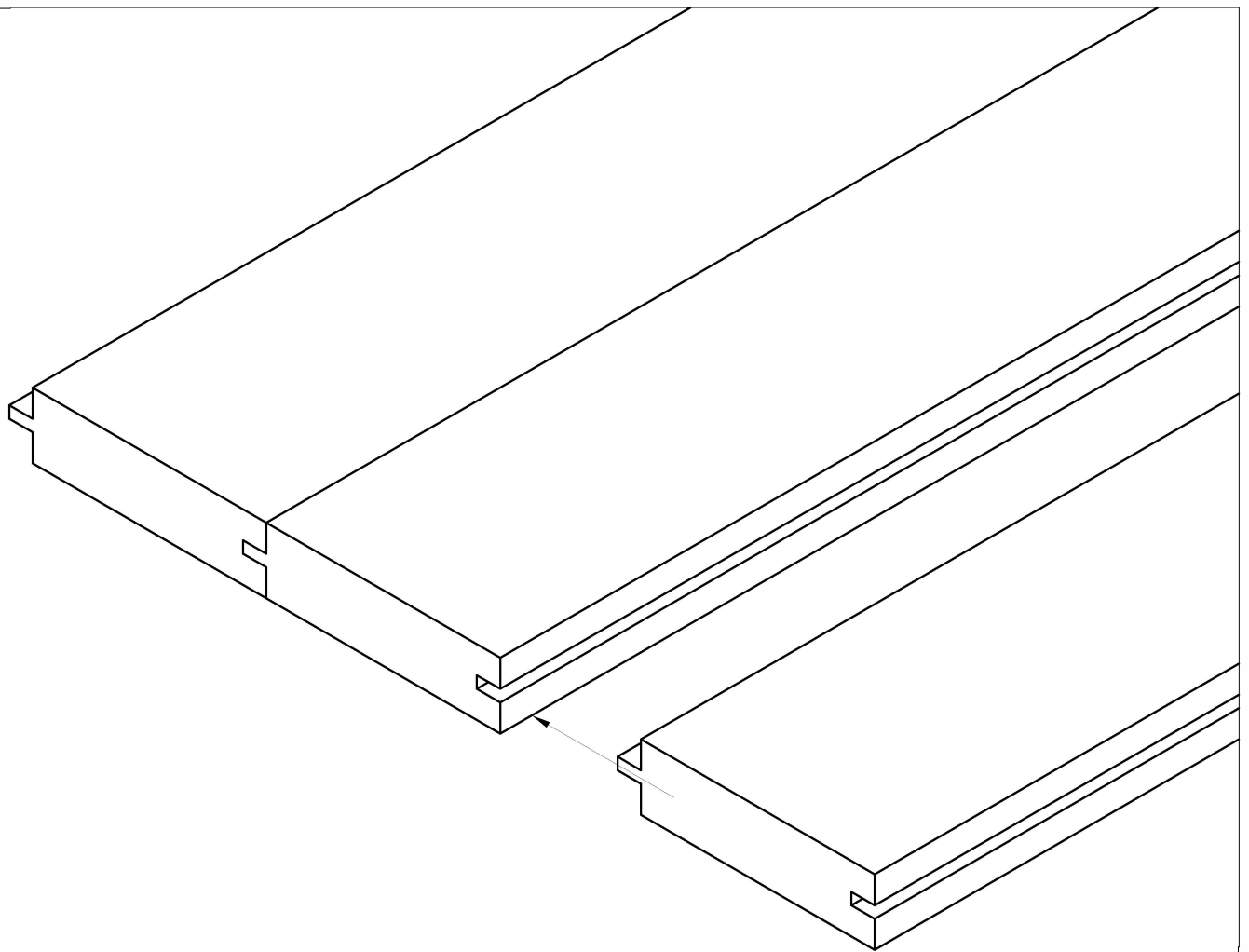




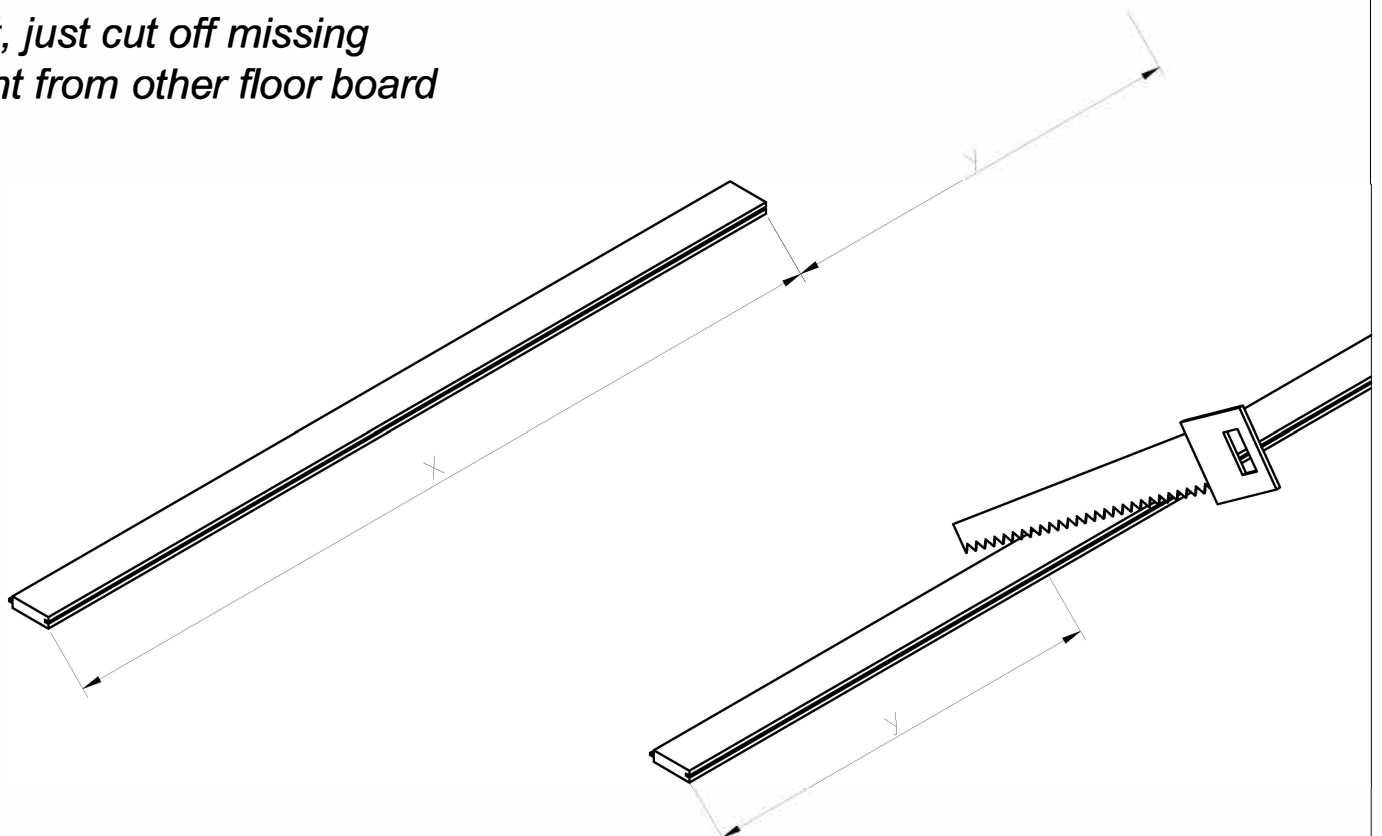
PARALELLEVEJ 15, DK 8620 KJELLERUP
PETER-HOLMBERG.dk



How to lay floor board

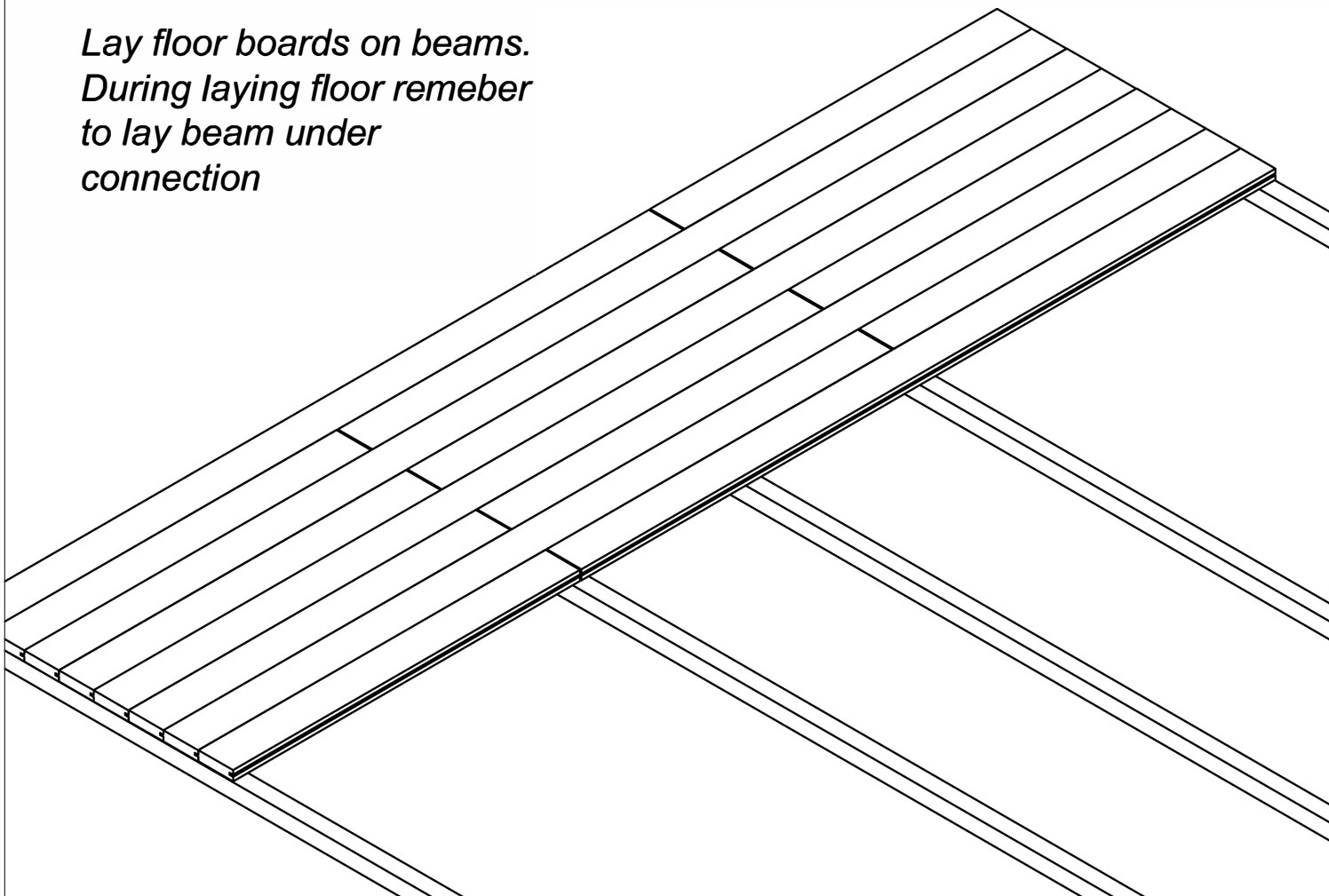


If whole floor board is too short, just cut off missing length from other floor board

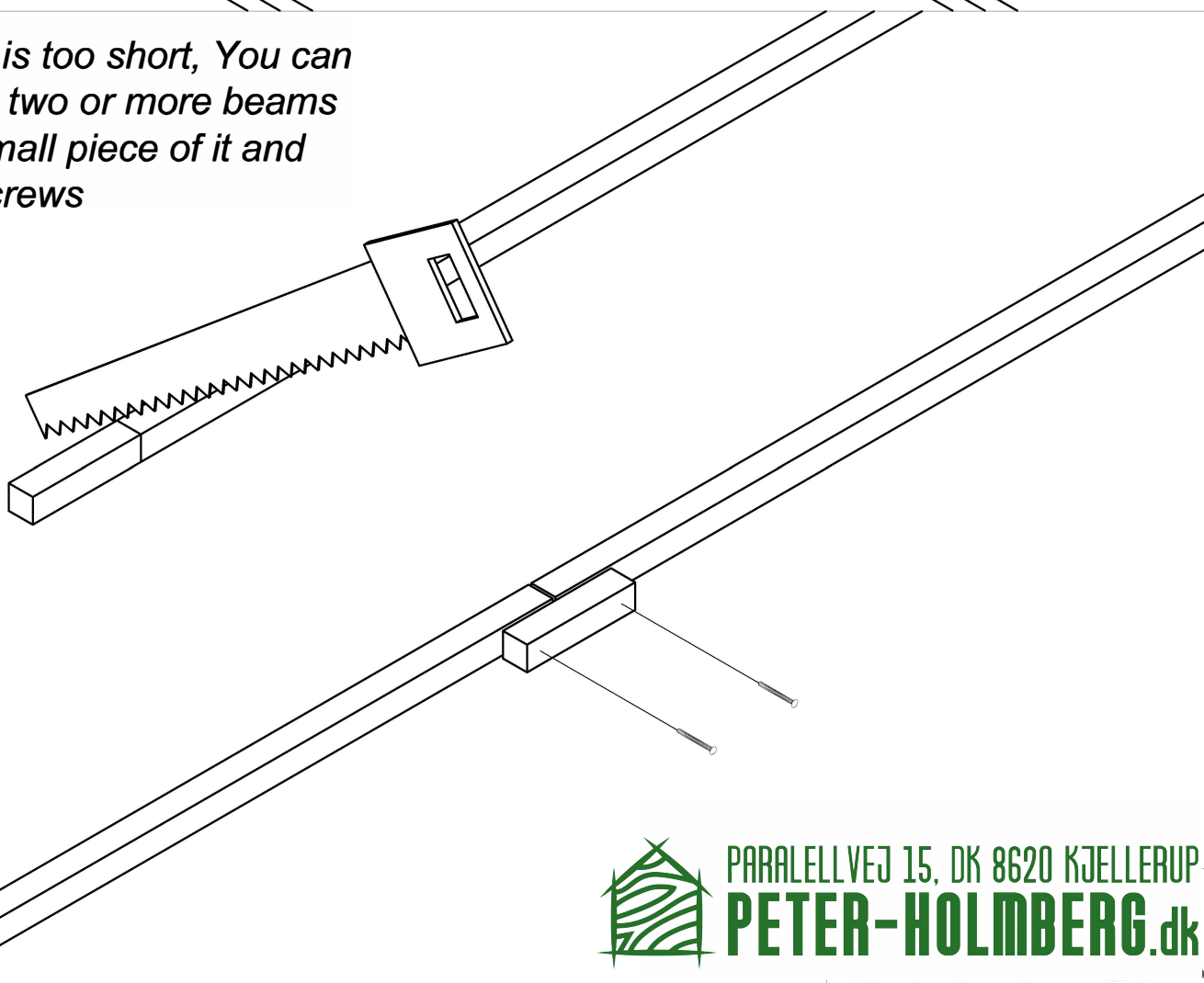


PARALELVEJ 15, DK 8620 KJELLERUP
PETER-HOLMBERG.dk

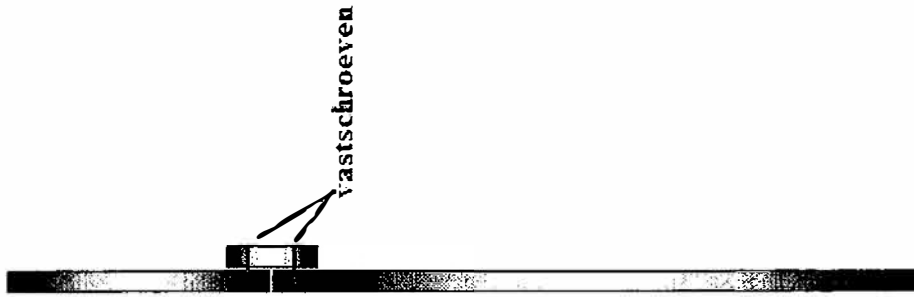
*Lay floor boards on beams.
During laying floor remeber
to lay beam under
connection*



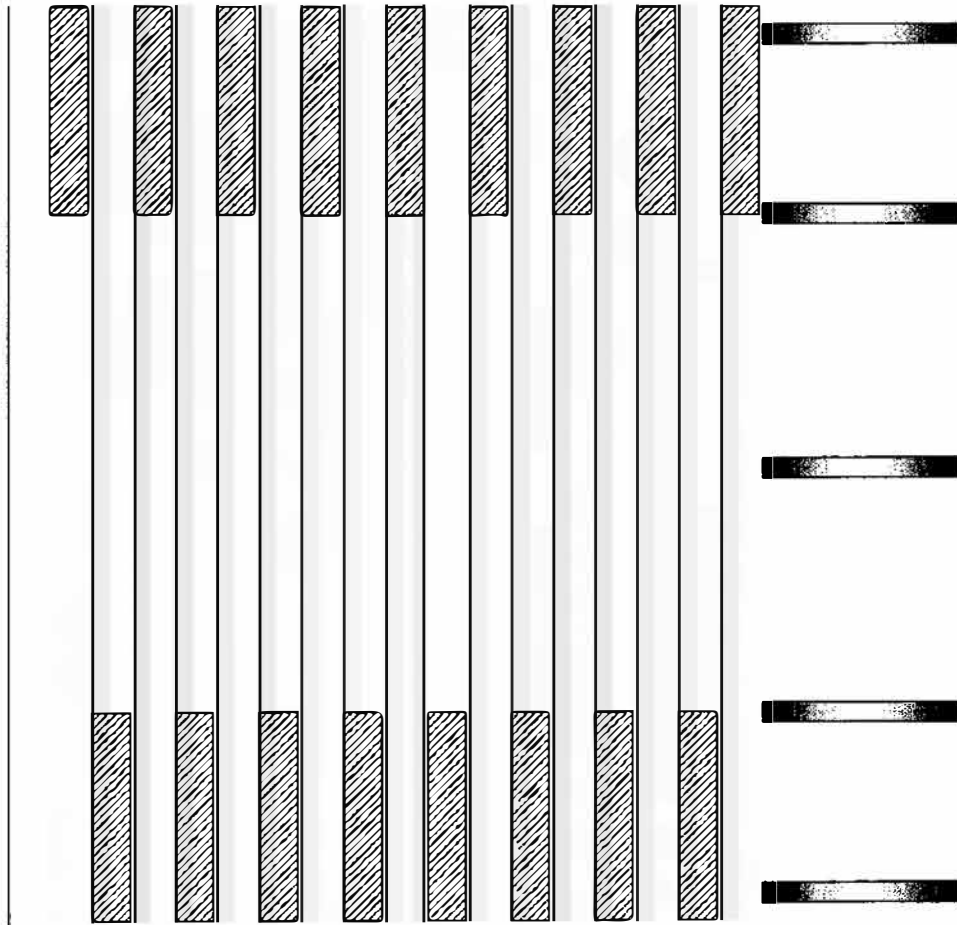
*If beam is too short, You can
connect two or more beams
using small piece of it and
wood screws*



PARALELVEJ 15, DK 8620 KJELLERUP
PETER-HOLMBERG.dk



272



272



Dear buyer,

Congratulations on the purchase of this quality pine floor.
The floor has been composed of specially selected quality pine floorboards and is supported by a stable foundation made of impregnated pine beams.
You can finish the floor with a skirting around the edges.

BOARDS

The floor is supposed to be constructed like a parquet floor (small cabins excluded).
This way of construction will produce the most stable floor on large surfaces. See the enclosed drawing (page 2) to form an image.

In this example we will use the floor of a 3 x 3 m log cabin.
The inside measurements are 274 x 274 cm.
You will have to leave +/- a cm of space all around. This space is necessary to allow the wood to warp and will be neatly finished with a skirting.

For every log cabin there are specific measurements. Please stick to the measurements that apply to your type, as indicated on page 3.

With a number of our log cabin models, you will have to saw the last floorboard lengthwise, in order to fit the entire floor in.

With 5-cornered, square log cabins, you need to saw the end of the floorboards that come into contact with the wall containing the door on the right bias. Measure the correct length for both sides of the floorboard and mark these on the board.
Small inaccuracies can easily be smoothed away by installing the skirting.

FLOORBEAMS

You start placing the first floorbeams at approximately 5 cm from the side wall.
To make sure that the floorboards are sufficiently supported, you should place the following beams at +/- 50 cm intervals.
Mind that the seams between the floorboards are always supported by a floorbeam.
Floorboards longer than 210 cm. can easily be attached to each other by screwing an extra piece of floorbeam to them. (see drawing)

SKIRTING

You can finish the floor with the supplied skirting-boards (18 x 50 mm). Saw these, where necessary, down to size with a mitre saw.

TIP:

Place the industrially sawn ends of the floorboards against each other. This way, the hand sawn ends of the boards will automatically end up under the skirting.

	floorboards			floorbeams		
	laying method	sawing measurements board	number of boards	laying method	sawing measurements floorbeams	number of beams
28 mm	n/a	172	18	at right angles to floorboards	Length 172 cm	4
Log cabin 200x200	depth	172	23	width	Length 222 cm (210+12 cm)	5
Log cabin 250x200	depth	172	24	width	Length 232 cm (210+22 cm)	5
Log cabin 260x200	depth	172	28	width	Length 272 cm (210+62 cm)	6
Log cabin 300x200	depth	210 - 62	50	width	Length 322 cm (210+112 cm)	12
Log cabin 350x300	width	210 - 62	36	depth	Length 232 cm (210+22 cm)	7
Log cabin 300x260	n/a	210 - 52	41	at right angles to floorboards	Length 262 cm (210+52 cm)	8
Log cabin 290x290	n/a	210 - 62	42	at right angles to floorboards	Length 272 cm (210+62 cm)	8
Log cabin 300x300	width	210 - 52	36	depth	Length 232 cm (210+22 cm)	7
Log cabin 290x260	depth	210 - 142	56	width	Length 272 cm (210+62 cm)	10
Log cabin 300x380	width	210 - 142	54	depth	Length 262 cm (210+52 cm)	10
Log cabin 380x290	width	210 - 62	42	depth	Length 222 cm (210+12 cm)	7
Log cabin 300x250	n/a	210 - 142	72	at right angles to floorboards	Length 352 cm (210+142 cm)	14
Log cabin 380x380	width	210 - 210 - 52	75	depth	Length 292 cm (210+82 cm)	14
Log cabin 500x320	width	210 - 210 - 52	90	depth	Length 352 cm (210+142 cm)	18

	floorboards			floorbeams		
	laying method	sawing measurements board	number of boards	laying method	sawing measurements floorbeams	number of beams
45 mm	width	210 - 210 - 49	90	depth	Length 349 cm (210+139 cm)	18
Log cabin 500x380	n/a	175 - 175 / 70 - 210 - 70	72	at right angles to floorboards	Length 349 cm (210+139 cm)	14
Log cabin 380x380	depth	210 - 139	60	width	Length 289 cm (210+79 cm)	11
Log cabin 300x320	width	210 - 210 - 57	93	depth	Length 357 cm (210+147 cm)	18
Log cabin 508x388	n/a	210 - 210 - 49	120	at right angles to floorboards	Length 469 cm (210+210+49 cm)	21

	floorboards			floorbeams		
	laying method	sawing measurements board	number of boards	laying method	sawing measurements floorbeams	number of beams
5-cornered square cabins 28 mm	n/a	210 - 12	35	at right angles to floorboards	Length 222 cm (210+12 cm)	6
5-cornered square cabins 250x250	n/a	210 - 22	36	at right angles to floorboards	Length 232 cm (210+22 cm)	6
5-cornered square cabins 260x260	n/a	210 - 62	42	at right angles to floorboards	Length 272 cm (210+62 cm)	8
5-cornered square cabins 300x300	width	210 - 62	70	depth	Length 272 cm (210+62 cm)	12

1 package contains:
 12 boards 210x9.8x1.8
 5 impregnated floorbeams 115x45x45
 2 skirting-boards 210x4x1.8