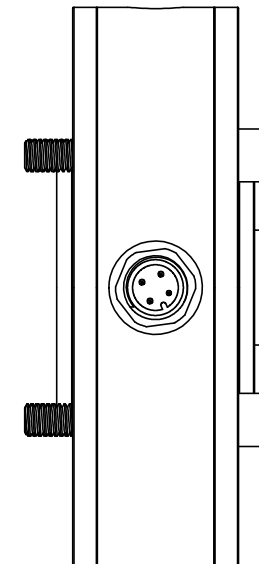
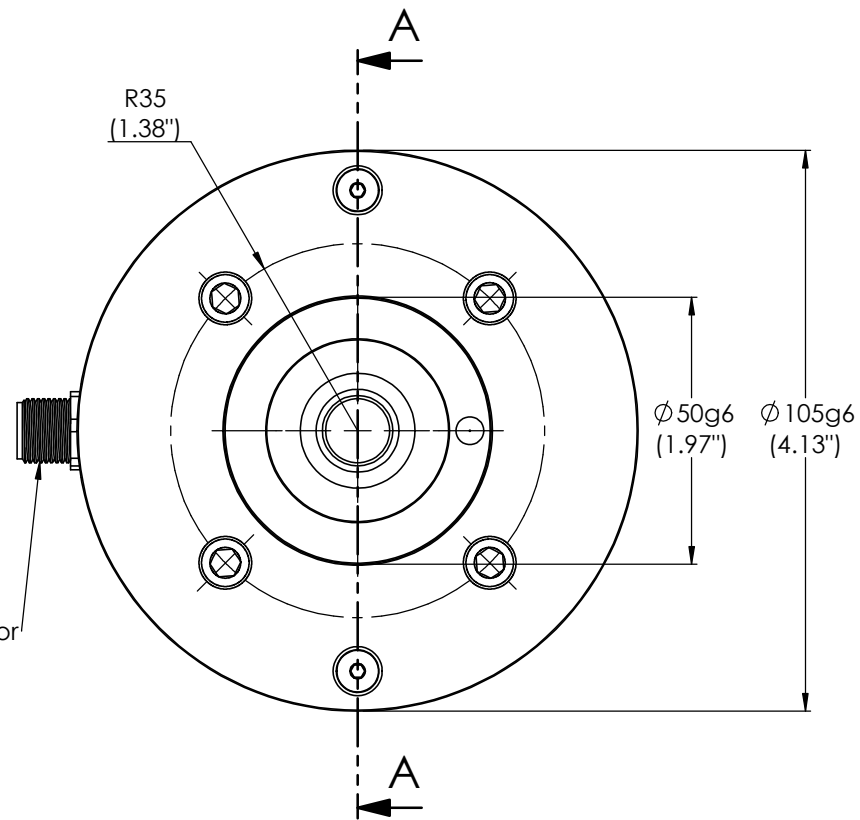


SECTION A-A



DATE	REVISION		OWECON ApS	
DATE	NAME	MATERIAL:	DWG NO.	A3
31/03-13	Torben Lerris		OWL112 Ø105xØ50x31_Dummy	
		WEIGHT:	SCALE:1:1	SHEET 1 OF 1