

2022 HEXO Ordering Guide



HEXO

Equipped with the state-of-the-art technology, Hexo Task Light integrates the best functionality and features, with the ease of installation. Available in fifteen lengths, in either standard or high lumen output and with power and network interconnect capabilities, Hexo enables multiple configurations for custom lighting solutions for any space. Engineered to have best ergonomic feature and comforting light output, its slim button with on/off and dimming feature provide superb response on control. Its optional occupancy sensor capability enables user and facility owner control on energy saving.

Hexo's superlative feature from integral power and dimming control to its occupancy or vacancy sensor in a small package presents a multitude of custom applications for your task light needs.



Hexo Task Light's properly diffused light provides a softly blended light pattern that reduces eye strain.



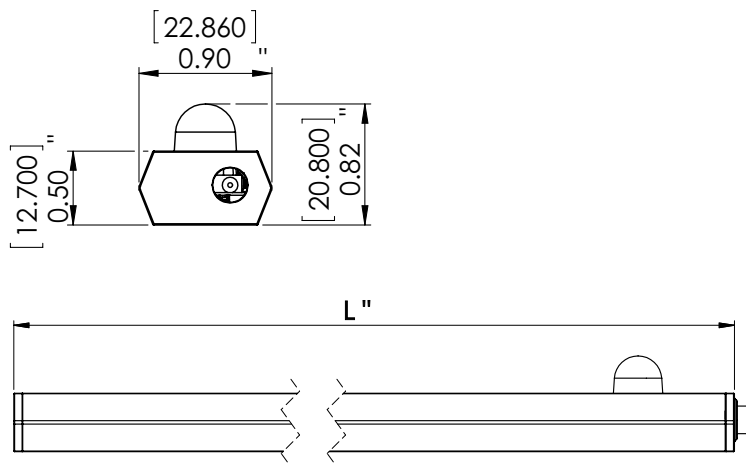
Finishes



Silver with silver endcaps

White with silver endcaps

Dimensions



	High Lumen Output	Watt/Unit	Max Units per run
HEX0.12	400	3	6
HEX0.17	567	5	4
HEX0.22	733	6	4
HEX0.24	800	7	3
HEX0.27	900	9	2
HEX0.31	1033	10	2
HEX0.36	1200	11	2
HEX0.40	1333	12	2
HEX0.45	1500	13	1
HEX0.49	1633	15	1
HEX0.54	1800	17	1
HEX0.58	1933	19	1
HEX0.63	2100	21	1
HEX0.67	2233	22	1
HEX0.72	2400	23	1
HEX0.76	2533	24	1



Features

- External small driver powering Hexo.
- Features integral dimmer on-off switch.
- Color balance from warm to cool white available, on blackbody curve. Circadian Rhythm Optional.
- Low Profile (0.45"H) for small niche or pocket areas.
- Integral infrared proximity sensor option available (title 24 compliant)
- Integral programmable work day timer option available.
- Daisy chain configuration options with integral individual on/off and dimming available, up to 2 fixtures.

Certifications



ETL listed: compliant to UL 153/8750 & CSA C22.2 No. 9; FCC Part 15 Class B; TAA; BAA; CEC Title 20

Warranty

The Hexo Task Light fixture is warranted for a period of 10 years.

California Residents



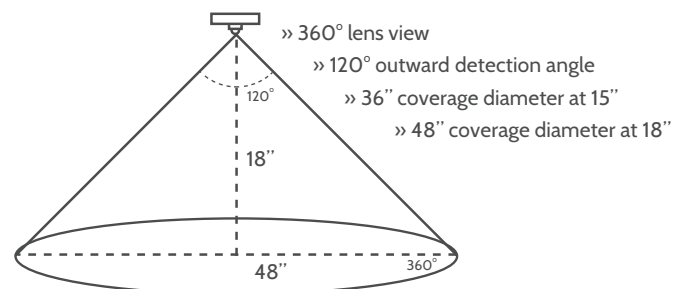
WARNING: This product may expose you to chemicals including DEHP and/or lead which are known to the State of California to cause cancer and birth defects or other reproductive harm. For more information, go to www.P65Warnings.ca.gov

Sustainability Notes

- Made of recycled aluminum. Fully recyclable.
- Energy-saving features such as auto shut-off and dimming included; occupancy/vacancy sensors available
- Energy star spec power consumption
- Mercury-free
- Potential LEED points: **Interior Lighting** (possible 2 points), **Interior Lighting Controls** (possible 1 point). For more LEED information please visit <https://new.usgbc.org/leed-v41>

How sensors work

Our occupancy and vacancy sensors use Passive Infrared (PIR) technology to control the fixture power. Based on movement occurring within a specified detection range within a period of time, the fixture will automatically power on or off depending on its programming.



Specifications

Color Temp:	<i>Choice of 3000K, 3500K, 4000K</i>
CRI:	<i>90</i>
L70(10k):	<i>>50,000 hrs</i>
Mounting:	<i>Mounts to wood, sheetrock or metal surfaces</i>
DaisyChain/Interconnect:	<i>Optional daisy chain link for easy connectability (2 max)</i>
Proximity Sensor:	<i>2 Meter human detection distance</i>
Power Options:	<i>Retractable power cord available as add-on</i>
Power Supply:	<i>Energy Star VI rated 24W</i>
Listing:	<i>UL listed to UL153 & UL8750 standards</i>
Compliance:	<i>ROHS complaint, CA Title 24 Complaint</i>
Rating:	<i>90-130 Vac, 50-60 Hz</i>
Warranty:	<i>10 years warranty</i>
LEED V4:	<i>Interior Control Lighting Control 1 Point Lighting Quality 1 Point</i>
Dimension:	<i>Height 0.45" x Width 0.95" x Length (12.25", 17", 21.35", 27", 30.45", 36.55", 40", 45", 47.65", 49", 54", 58.65", 63", 67", 72", 76")</i>

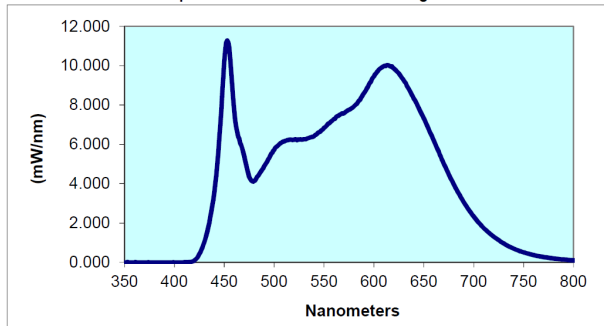
	High Lumen Output	Watt/Unit	Max Units per run
HEX0.12	400	3	6
HEX0.17	567	5	4
HEX0.22	733	6	4
HEX0.24	800	7	3
HEX0.27	900	9	2
HEX0.31	1033	10	2
HEX0.36	1200	11	2
HEX0.40	1333	12	2
HEX0.45	1500	13	1
HEX0.49	1633	15	1
HEX0.54	1800	17	1
HEX0.58	1933	19	1
HEX0.63	2100	21	1
HEX0.67	2233	22	1
HEX0.72	2400	23	1
HEX0.76	2533	24	1



Photometric Data

PHOTOMETRIC REPORT

Spectral Data Over Visible Wavelengths



High Lumen 31" Foot-candle

	Illuminance at a Distance	
	Center Beam fc	Beam Width
0.33ft	1,772 fc	1.00 ft 1.04 ft
0.67ft	430 fc	2.03 ft 2.10 ft
1.00ft	193 fc	3.03 ft 3.14 ft
1.33ft	109 fc	4.02 ft 4.18 ft
1.67ft	69.2 fc	5.05 ft 5.25 ft
2.00ft	48.3 fc	6.05 ft 6.28 ft

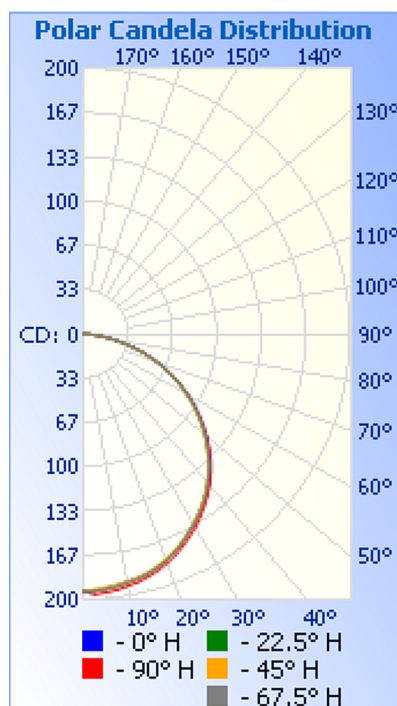
■ Vert. Spread: 113.1°
■ Horiz. Spread: 115.0°

Normal Lumen 31" Foot-candle

	Illuminance at a Distance	
	Center Beam fc	Beam Width
0.33ft	2,195 fc	1.00 ft 1.04 ft
0.67ft	532 fc	2.03 ft 2.10 ft
1.00ft	239 fc	3.03 ft 3.14 ft
1.33ft	135 fc	4.04 ft 4.17 ft
1.67ft	85.7 fc	5.07 ft 5.24 ft
2.00ft	59.8 fc	6.07 ft 6.28 ft

■ Vert. Spread: 113.2°
■ Horiz. Spread: 115.0°

POLAR GRAPH



Options & Accessories



COLOR TEMPERATURE

Warm White choice of
3000K, 3500K, 4000K



DIMMER

100% - 15% continuous
with last state memory



POWER SUPPLY

Driver with white 6' cord,
customizable length



LENGTHS

12", 17", 22", 24", 27", 31", 36", 40",
45", 49", 54", 58", 63", 67", 72", 76"



PROXIMITY SENSOR

Programmable Vacancy Or
Occupancy sensor with
standard 30 min shutoff



DAISY CHAIN

Cord Length: 18"



INTERCONNECT

Primary and auxiliary units available for
daisy chain configurations



MOUNTING

- Screw mount.
- Magnet mount.



WARRANTY

10 years warranty



COMPLIANCE

ETL listed to UL153, UL8750 & CSA
C22.2 No. 9, ROHS, CA Title 24
Complaint TAA; CEC Title 20



LEED V4

Interior Control,
Lighting Control 2 Point,
Lighting Quality 1 Point



Options & Accessories

Angle Mount

Mounts magnetically and allows for a 23 degree tilt of Reed Premier in either of two directions. Perfect for applications where directional light is required. For use with wood surfaces, the Angle Mount Bar for Wood/Laminate Application is required.

Adhesive Horizontal Cord Manager

Adhesive cord managers adhere to surfaces to horizontally manage cords with a clasping cord guide. Included with every fixture purchase. Available in silver only.

Magnetic Horizontal Cord Manager

Magnetic cord managers magnetically mount to metal to horizontally manage cords.

Panel Clip Cord Manager

Panel clips mount by pinching into panel slots to create a loop to manage cords through. Available in black only.



Specifying Notes

- *If automatic shut-off feature is not desired, please specify by contacting Inside Sales at info@mochasolutions.com*
- *Includes screw and magnet mounts for wood/laminate or metal application.*
- *Two magnetic cord managers included with each fixture. Additional cord managers are available for purchase.*
- *Timer setting are at 30 min shutoff. Contact sales team for other timer settings*
- *Color temperature is requested at ordering to sales team*
- *Please specify daisy chain configuration for power cord or daisy chain cord induction*
- *Daisy chain single control converts two fixtures with single sensor / one/off / dimmer control. One fixture will be full length and second daisy connect fixture is 3" shorter.*



List Price

Step 1:	Fixture Length	Price
	Hexo.12 12" fixture	\$135
	Hexo.22 22" fixture	\$170
	Hexo.31 31" fixture	\$230
	Hexo.40 40" fixture	\$290
	Hexo.40 49" fixture	\$340
	Hexo.58 58" fixture	\$420

Step 2:	Lumen Output	Price
	+.R1 Standard output	\$0
	+.R2 High output	\$50

Step 3:	Finish Color	Price
	+.S Anodized Silver	\$0
	+.B Anodized Black	\$0
	+.W Powered White	\$20

Step 4:	Optional Sensor	Price
	+.OS Integrated Occupancy Sensor	\$30
	+.VB Integrated Vacancy Sensor	\$30



List Prices

CATEGORY	CODE	DESCRIPTION	PRICE
ACCESSORIES			
MOUNTING			
	AM.M	Magnet mount	\$12
	AM.L	Angle mount bar of wood/laminate application	\$24
DAISY CHAIN			
	DC1	1" end-to-end connector	\$12
	DC12	8" interlink cord	\$12
	DC18	30" interlink cord	\$12
MOUNTING			
	HEXO.KIT	Mounting kit: 2 ea. screw mounts, magnet mounts and adhesive cord managers	\$12
CORD MANAGERS			
	HEXO.CMA	adhesive horizontal cord manager	\$4
	HEXO.CMA	magnetic horizontal cord manager	\$10



TERMS & CONDITIONS

The terms and conditions in this product guide supersede all previous terms and conditions. Prices, discounts, and product offerings are subject to change without notice. Standard lead time for most Mocha Lighting products is two weeks (10 business days) from order acknowledgment.

PRICING & TERMS: All prices are in US dollars. All prices are subject to change without notice. Prices are F.O.B. Destination to the United States (excluding Alaska and Hawaii), one destination per order. First order may be prepaid to meet lead time. Net 30 days for all ACH and check payments. Net 10 days for credit card payments. A 1-1/2% interest per month will be added to past due accounts.

AGREEMENTS: All contract agreements are contingent upon accidents, acts of God and unavoidable delays which are not subject to our control. Acceptance of orders is subject to approval by the Mocha Lighting Sales department.

ORDER ACKNOWLEDGMENT: Mocha Lighting strives to enter all complete orders within 24 hours after receipt. All buyers will receive acknowledgments within 24-48 hours after order entry. All acknowledgments should be reviewed for clerical and pricing errors, and the purchaser is responsible to advise Mocha Lighting of the corrections required. Incomplete orders will receive a written or verbal request for clarification, but are not processed until the correct information is received by the factory.

RETURNED MATERIAL AUTHORIZATION (RMA): Product returned to Mocha Lighting in Irvine, CA, must be accompanied by an RMA number, which is issued by the Customer Service department. Any product returned without such authorization will be returned to sender, unopened, and at the original buyer's expense. Special order products are not eligible for returns.

Mocha Lighting has sole authority to issue an RMA. A request for return must be made within sixty days of the original shipment, buyer must advise the reason for the return request, the original invoice number and date, quantity and product number of the returned items. Contact the Customer Service department to request the RMA. The RMA number must be clearly marked on the exterior of the returned cartons. Transportation charges will be the obligation of the buyer.

A restocking charge of 35% will be applied to returns. Product must be in its original carton, unopened. Upon approval by the Quality department, credit will be issued at prices in effect at the time of the original shipment, less any applicable restocking charges. Return request credit amounts will be determined by Mocha Lighting. Custom product and special paint finished product will receive no credit unless defective and within warranty period.

Mocha Lighting will not issue credit if the product is not returned within 30 days from the receipt of the RMA number. Upon inspection of the product, if it is found not to be faulty as described, a credit will not be issued. All product returned in working condition, or product that is not from Mocha Lighting, will need to be returned to sender within 5 days of the initial inspection. Shipping costs for returns of this nature will be at the customer's expense. Fixtures not picked up within the 5-day time frame will be recycled.

TRANSPORTATION DAMAGE CLAIMS: Mocha Lighting is responsible for all freight claims. Mocha Lighting will be available to assist in such matters.

BACK CHARGES: No back charges for labor or materials will be allowed unless presented within 20 days after delivery of shipment and approved by Mocha Lighting in writing, in advance.

ELECTRICAL CODES: Since local electrical codes vary, we suggest that you contact a licensed electrical contractor or engineer for proper application of electrical products. Responsibility for code compliance belongs to the local supplier, contractor, architect or design firm. Mocha Lighting, or its representatives or agents, are not responsible for specifying product to meet local codes.

SPECIFICATION OF PRODUCT: Mocha Lighting, or its representatives or agents, are not responsible for specifying product to meet project or local code requirements. Specification and selection of product is the responsibility of the firm that places the purchase order with LightCorp.

SAMPLES: Contact Inside Sales for showroom sample policy at info@mochasolutions.com

PRODUCT DESIGN: Mocha Lighting reserves the right to make product changes and improvements as required.

ACCURACY OF PRODUCT INFORMATION: We make every effort to ensure our printed product specifications are published correctly. However, specifications to products may change after publishing. For the most up to date product and specification information, please visit our website at <http://www.mochalighting.com>



LIMITED WARRANTY

Mocha Partners Inc. (d.b.a) Mocha Lighting, warrants that all products sold hereunder to be free from defects in material and workmanship, when used under normal commercial usage for lighting.

Mocha Lighting defines the normal commercial usage for lighting as the equivalent to a single shift, forty (40) hour, work week. Mocha Lighting warranty periods described as follows:

10 YEARS All LED lighting fixtures are warranted for a period of 10 years from date of manufacture. The LED power supply for all LED lighting elements is warranted for a period of 10 years. Note that LED products are not field serviceable if a defect occurs to an LED product during its warranty period and upon approval from a Mocha Lighting representative, the product must be returned for repair or replacement.

During the warranty period, Mocha Lighting will repair, or at its option, replace the defective product/component during the stated warranty period. This warranty applies only to the repair or replacement of the product/component and only when the product/component is properly handled, installed and maintained according to Mocha Lighting/Manufacturer instructions. This warranty excludes defects resulting from improper handling, storage, installation, acts of God, fire, vandalism or civil disturbances. Purchaser must notify Mocha Lighting in writing within 45 days of defect. Mocha Lighting reserves the right to change the warranty period without prior notice and without incurring obligation and expressly disclaims all warranties not stated in this limited warranty.

This warranty does not apply and no other warranty applies to:

- Normal wear and tear, which are to be expected over the course of ownership.
- Damage caused by the carrier in-transit, which will be handled under separate terms.
- Damage as a result of poor storage or warehousing of the product.
- Modifications or attachments to the product that are not approved by Mocha Lighting.
- Products that were not installed, used, or maintained in accordance with the product instructions and warnings provided in packaging.

WARRANTY ACTIVATION / SERVICE CLAIMS

This warranty is automatically activated after Mocha Lighting receives a completed warranty registration form within 30 days of installation or 60 days of shipment, whichever is shorter. An acknowledgement will be sent for each registration

along with a reference number for future correspondence. Warranty claims can be made by contacting Mocha Lighting Customer Service with the warranty reference number to initiate the process for problem resolution.

LABOR OPTIONS

This warranty excludes field labor or service charges related to the repair or replacement of the product/component. Additionally, no labor allowance is made for any lamp and/or ballast replacement during the warranty period. However, if a material and/or workmanship defect is discovered, Mocha Lighting may consider, at its sole discretion, to reimburse user for labor options per the following:

1. Labor options must be pre-approved by Mocha Lighting. Any labor option not pre-approved will not be eligible for reimbursement.
2. Should a labor option be approved, Mocha Lighting shall contact a service provider and coordinate replacement at no cost to the user of product/component, or
3. Mocha Lighting will reimburse the purchaser reasonable, customary, and necessary labor charges required to install the replacement.

RETURN OF DEFECTIVE PRODUCT/COMPONENT

If product is found to be defective, within its warranty period, please contact a Mocha Lighting customer service representative for a Return Material Authorization number (RMA). After contacting Mocha Lighting and receiving a return material AUTHORIZATION NUMBER, the user shall promptly return the product and/or component at the user's expense to Mocha Lighting after receiving instructions as to if, when and where to ship product/component. Failure to follow this procedure shall void this warranty. See terms and conditions for RMA procedure.

REPLACEMENT OF PRODUCT/COMPONENT, LIMITS OF LIABILITY

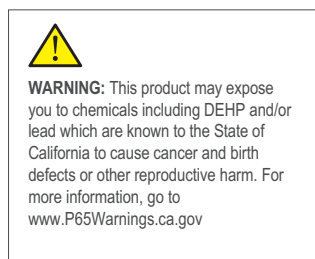
The foregoing shall constitute the sole and exclusive remedy of the purchaser and the sole exclusive liability of Mocha Lighting. **NO WARRANTY OF MERCHANTABILITY OR FITNESS FOR A PARTICULAR PURPOSE IS MADE OR IMPLIED.** Mocha Lighting will not, under any circumstance, whether as a result of breach of contract or warranty, tort, or otherwise, be liable for an incidental, special or consequential damages, including lost profits or revenues or any other costs or damages.

Mocha Lighting reserves the right to examine all failed products and/or components and reserves the right to be the sole judge as to whether any products and/or components are defective and covered by this warranty.



INFORMATION ON CALIFORNIA'S PROPOSITION 65

California's Proposition 65 (Prop 65), also called the Safe Drinking Water and Toxic Enforcement Act, is a Right to Know law regarding Californians being able to make informed decisions to protect themselves from chemicals known to cause cancer, birth defects, or other reproductive harm. The law requires that all businesses provide a 'clear and reasonable warning' if one or more listed chemicals may be present within the product, even if in trace amounts. This warning must include at least one chemical present within the product. To comply with this law, a warning will appear on all Mocha Lighting products in the form of a packaging label, in the following format:



Mocha Lighting products may contain traces of one or more of the 900+ listed chemicals. Exposure to these chemicals may occur during installation and/or use of Mocha Lighting products and may be negligible or well within the "no significant risk" range. However, based upon knowledge regarding the presence of one or more listed chemicals, Mocha Lighting has chosen to provide a warning without conducting exposure levels per product due to its complexity.

Washing your hands after handling these products can reduce your risk of exposure. Exposure can include the following:

- Power supply cords, wiring and other parts made of PVC material may expose you to chemicals including phthalates like DINP, DEHP and/or lead
- Product switches, lens material or other plastic parts, may expose you to chemicals including bisphenol A, phthalates like DINP, DEHP and/or polychlorinated biphenyls (PCB)
- Unpainted galvanized sheet metal parts, present on some underbin products and/or mounting brackets, may expose you to chemicals including lead and/or nickel
- Powder coat paint, although cured during the painting process, may expose you to chemicals including bisphenol A, nickel oxide, 2-mercaptobenzothiazole, 2-methylimidazole, carbon black and/or titanium dioxide. (Exposure to paint chemicals exists only if the paint were to flake or the product was sanded and particles were to become airborne)

For more information, go to <http://www.P65Warnings.ca.gov>.

