

HEXO

Equipped with the state-of-the-art technology, Hexo Task Light integrates the best functionality and features, with the ease of installation. Available in fifteen lengths, in either standard or high lumen output and with power and network interconnect capabilities, Hexo enables multiple configurations for custom lighting solutions for any space. Engineered to have best ergonomic feature and comforting light output, its slim button with on/off and dimming feature provide superb response on control. Its optional occupancy sensor capability enables user and facility owner control on energy saving.

Hexo's superlative feature from integral power and dimming control to its occupancy or vacancy sensor in a small package presents a multitude of custom applications for your task light needs.



HEXO



- » External small driver powering Hexo.
- » Features integral dimmer on-off switch.
- » Color balance from warm to cool white available, on blackbody curve. Circadian Rhythm Optional.
- » Low Profile (0.45”H) for small niche or pocket areas.
- » Integral infrared proximity sensor option available (title 24 compliant)
- » Integral programmable work day timer option available.
- » Daisy chain configuration options with integral individual on/off and dimming available, up to 2 fixtures.



LED SPECIFICATIONS

Color Temp	Choice of 3000K, 3500K, 4000K
CRI	90
L70(10k)	>50,000 hrs
Mounting	Mounts to wood, sheetrock or metal surfaces
Daisy Chain/ Interconnect	Optional daisy chain link for easy connectivity (2 max)
Proximity Sensor	2 Meter human detection distance
Power Options	Retractable power cord available as add-on

Power Supply Listing	Energy Star VI rated 24W UL listed to UL153 & UL8750 standards
Compliance	ROHS complaint, CA Title 24 Complaint
Rating	90-130 Vac, 50-60 Hz
Warranty	10 years warranty
LEED V4	Interior Control Lighting Control 1 Point Lighting Quality 1 Point
Dimension	Height 0.45"x Width 0.95" x Length (12.25", 17", 21.35", 27", 30.45", 36.55", 40", 45", 47.65", 49", 54", 58.65", 63", 67", 72", 76")

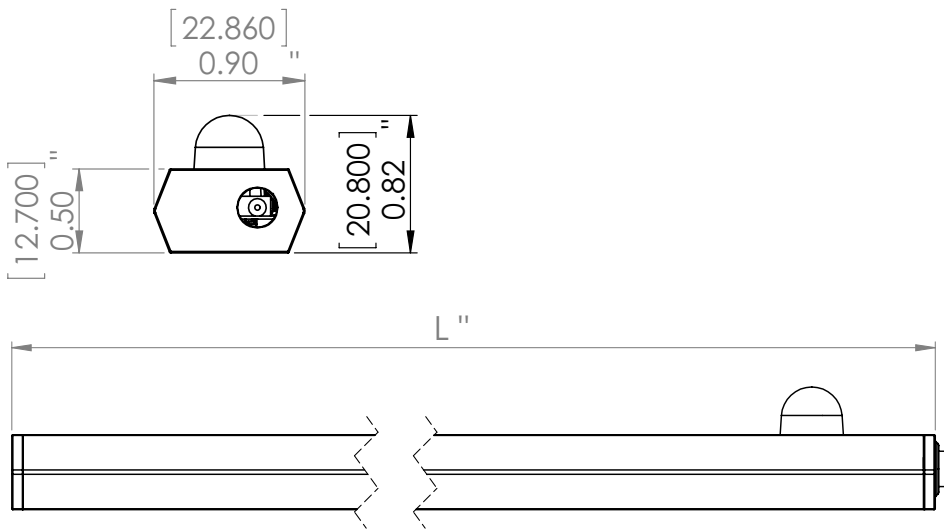
*Contact your sales rep for more information.



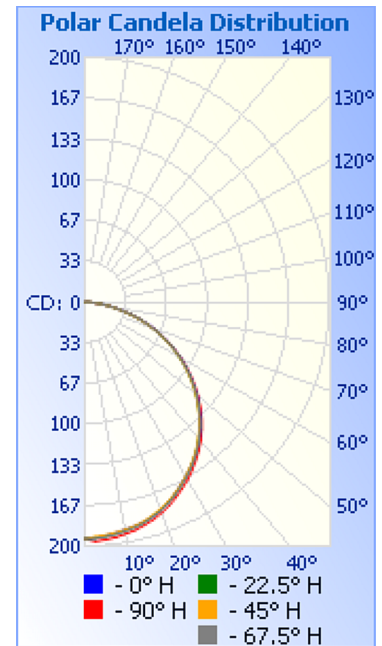
ORDERING FORM

MODEL	FIXTURE LENGTH	LUMENS	FINISH	OPTIONAL OCCUPANCY SENSOR
HEX0	12" (12), 17" (17), 22" (22), 24" (24) 27" (27), 31" (31), 36" (36), 40" (40), 45" (45), 49" (49), 54" (54), 58" (58), 63" (63), 67" (67), 72" (72), 76" (76)	Standard Output (R1) High Output (R2)	Silver (S) White (W)	Occupancy Sensor (OS)

DRAWING



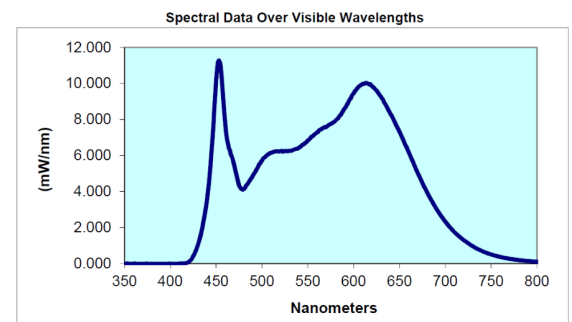
POLAR GRAPH



FIXTURE DATA

	High Lumen Output	Watt/Unit	Max Units per run
HEX0.12	400	3	6
HEX0.17	567	5	4
HEX0.22	733	6	4
HEX0.24	800	7	3
HEX0.27	900	9	2
HEX0.31	1033	10	2
HEX0.36	1200	11	2
HEX0.40	1333	12	2
HEX0.45	1500	13	1
HEX0.49	1633	15	1
HEX0.54	1800	17	1
HEX0.58	1933	19	1
HEX0.63	2100	21	1
HEX0.67	2233	22	1
HEX0.72	2400	23	1
HEX0.76	2533	24	1

PHOTOMETRIC REPORT



	Illuminance at a Distance		
	Center Beam fc	Beam Width	
0.33ft	1,772 fc	1.00 ft	1.04 ft
0.67ft	430 fc	2.03 ft	2.10 ft
1.00ft	193 fc	3.03 ft	3.14 ft
1.33ft	109 fc	4.02 ft	4.18 ft
1.67ft	69.2 fc	5.05 ft	5.25 ft
2.00ft	48.3 fc	6.05 ft	6.28 ft

■ Vert. Spread: 113.1°
■ Horiz. Spread: 115.0°

*Meets Title 24 High efficacy rating.

