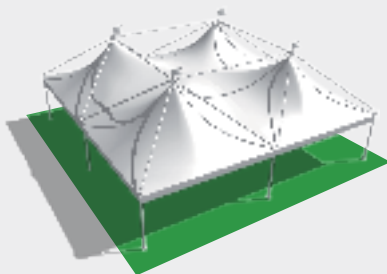
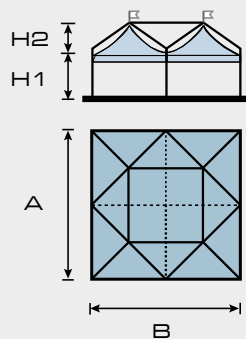
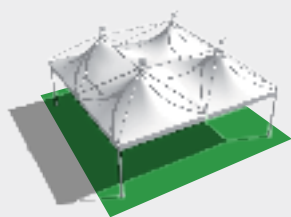
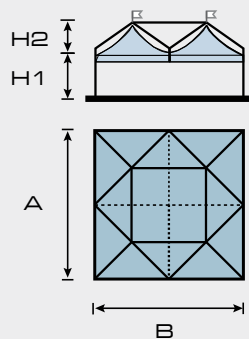




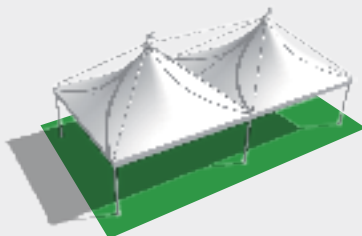
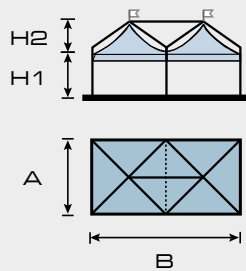
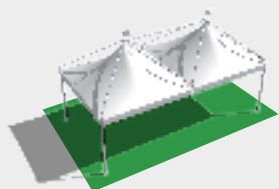
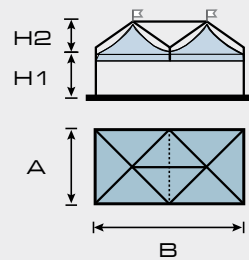
*Elite*



# DIMENSIONS



A=B (cm)	H1 (cm)	H2 (cm)	AREA (m <sup>2</sup> )	A=B (cm)	H1 (cm)	H2 (cm)	AREA (m <sup>2</sup> )
800	*	185	64,0	1000	*	226	100,0
				1200	*	270	144,0
				1300	*	288	169,0

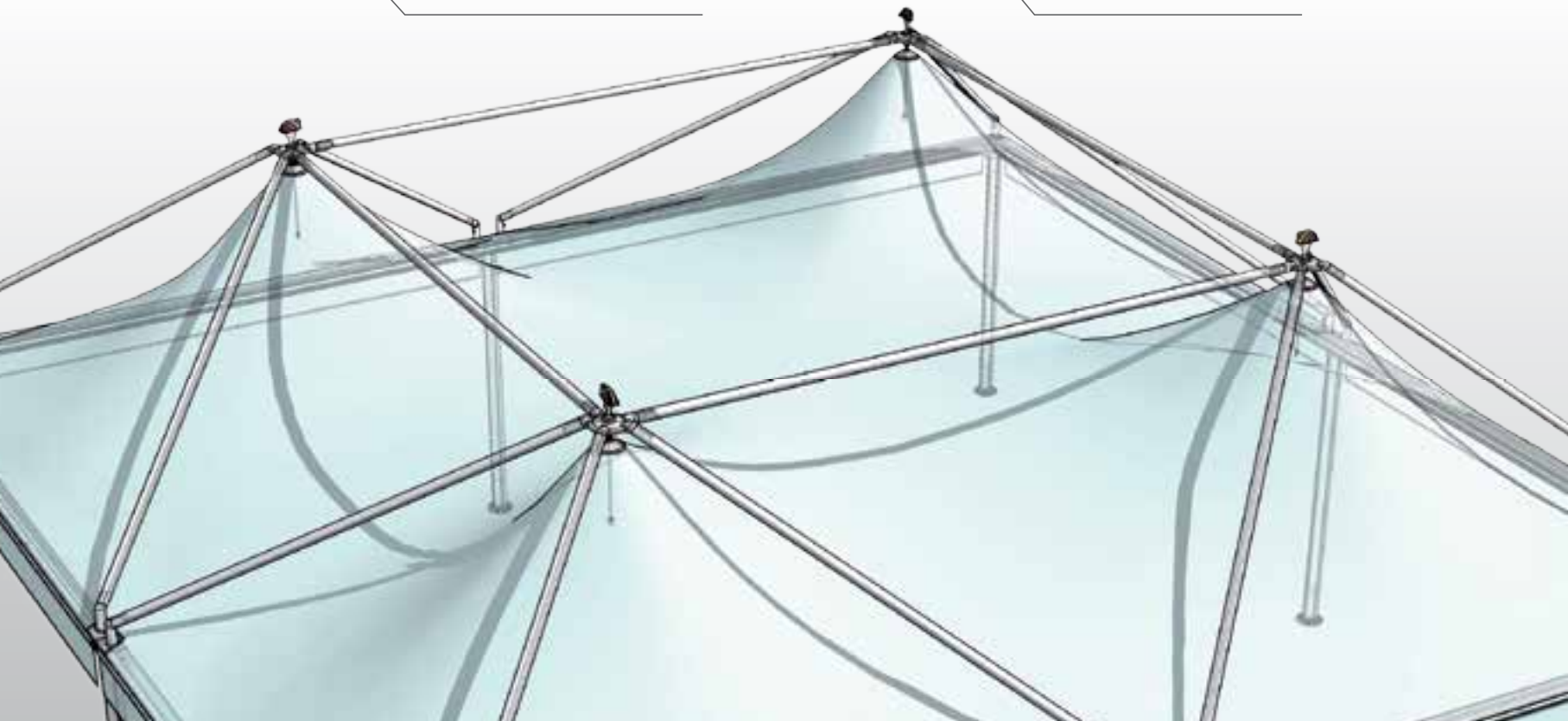
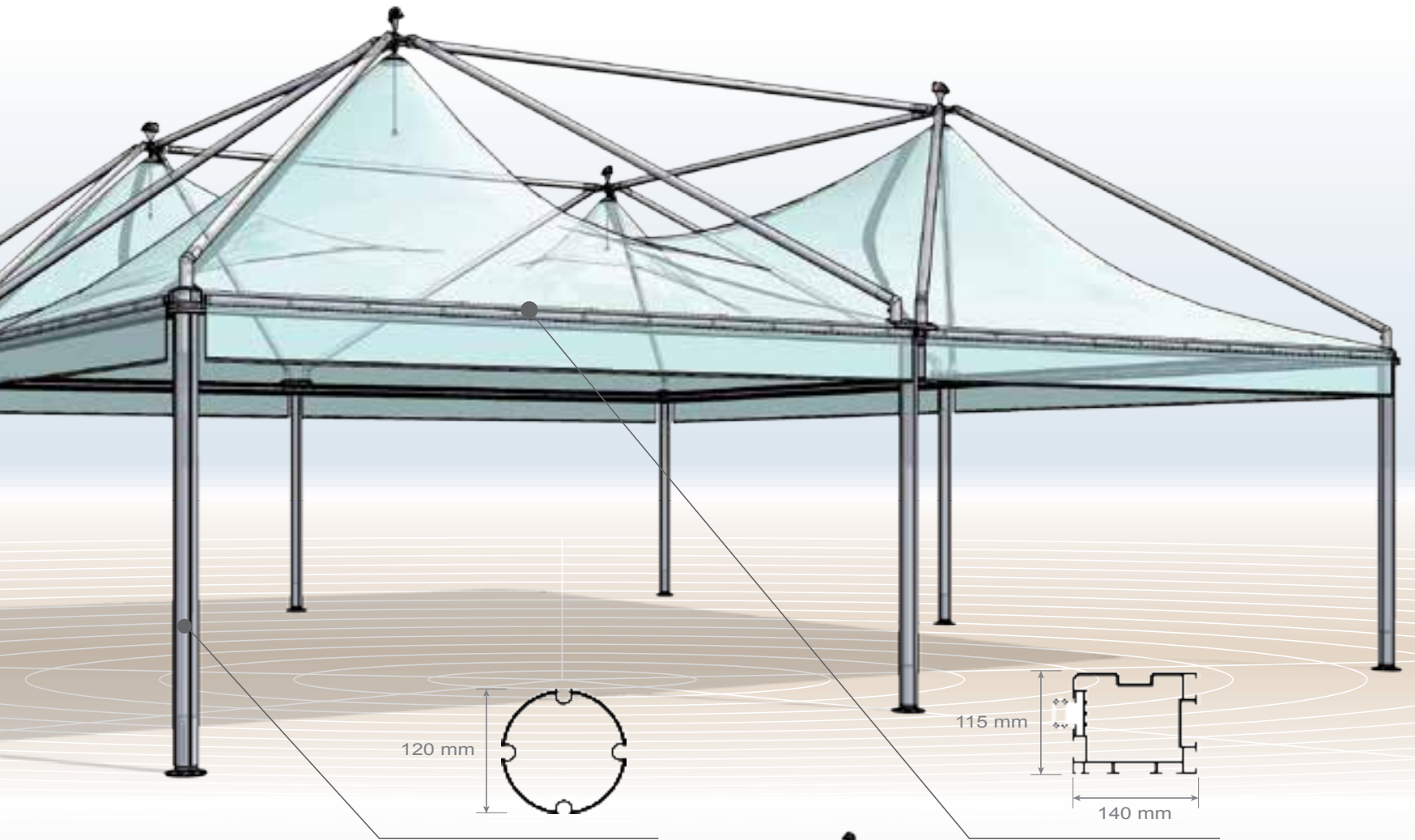


A (cm)	B (cm)	H1 (cm)	H2 (cm)	AREA (m <sup>2</sup> )	A (cm)	B (cm)	H1 (cm)	H2 (cm)	AREA (m <sup>2</sup> )
400	800	*	185	32,0	500	1000	*	226	50,0
					600	1200	*	270	72,0

\* = The tent is supplied with static calculations for a max eave height of 300 cm.

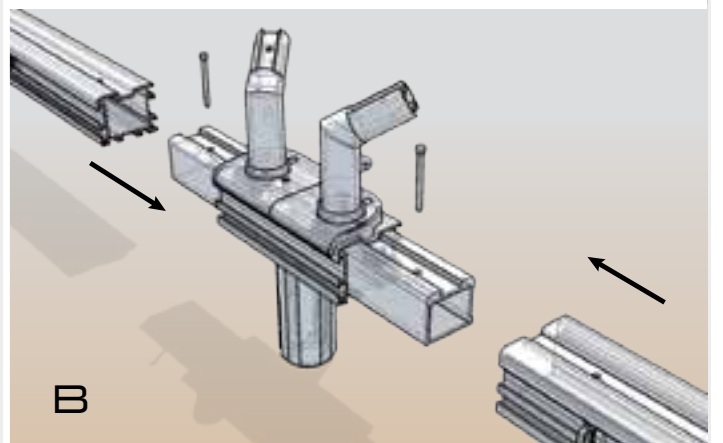
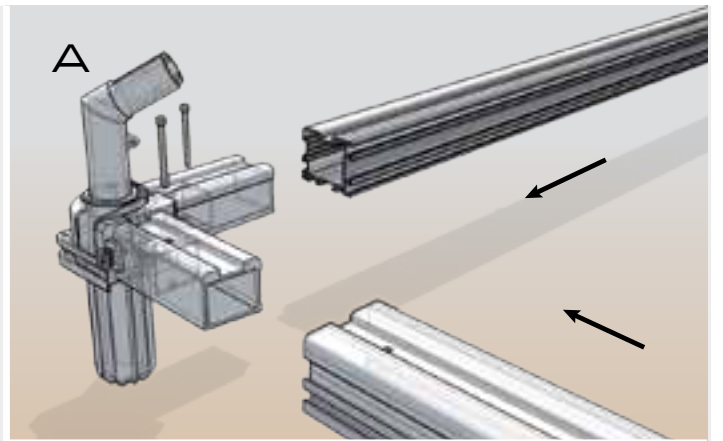
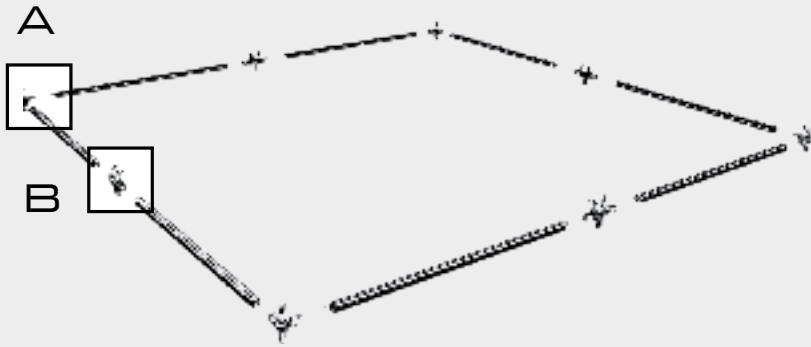


# TECHNICAL DETAILS

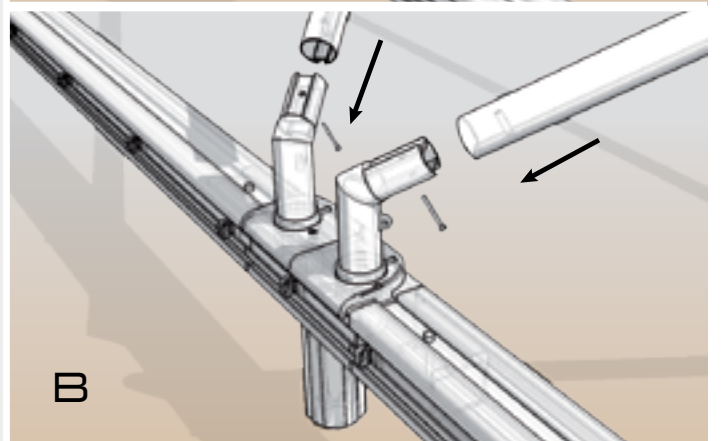
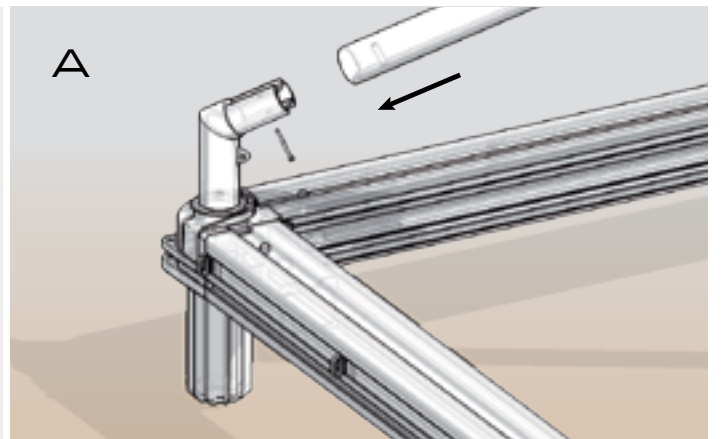
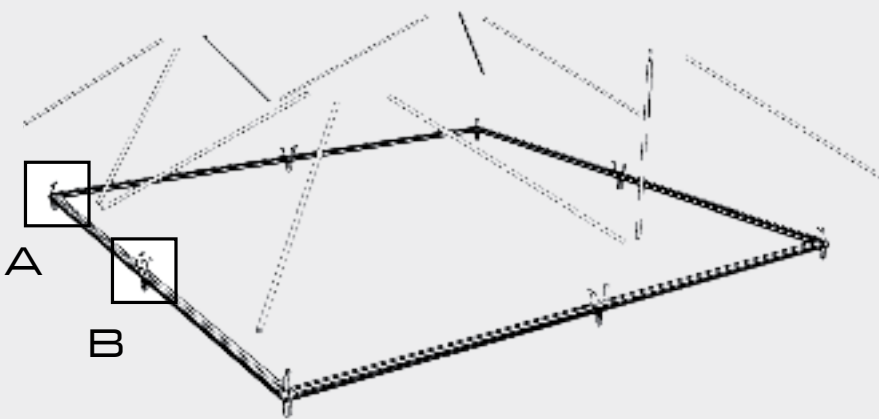


# ASSEMBLY

1

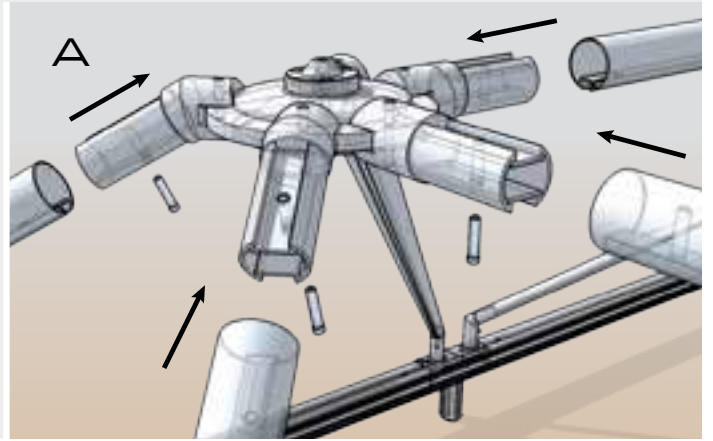
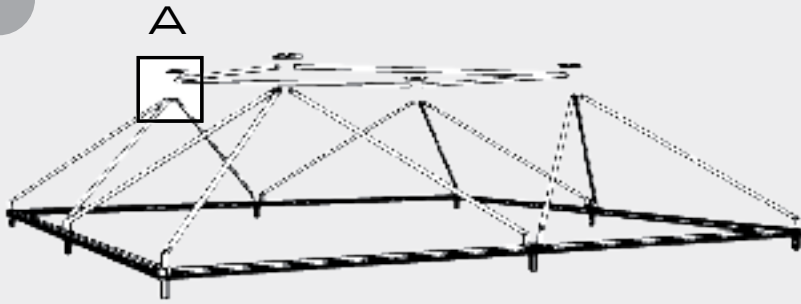


2

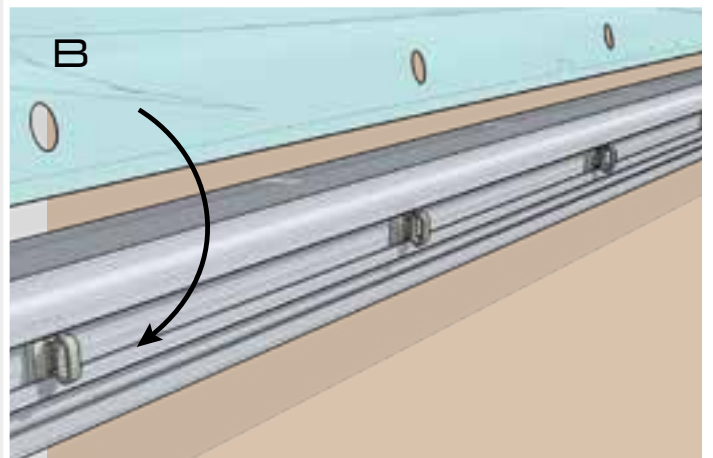
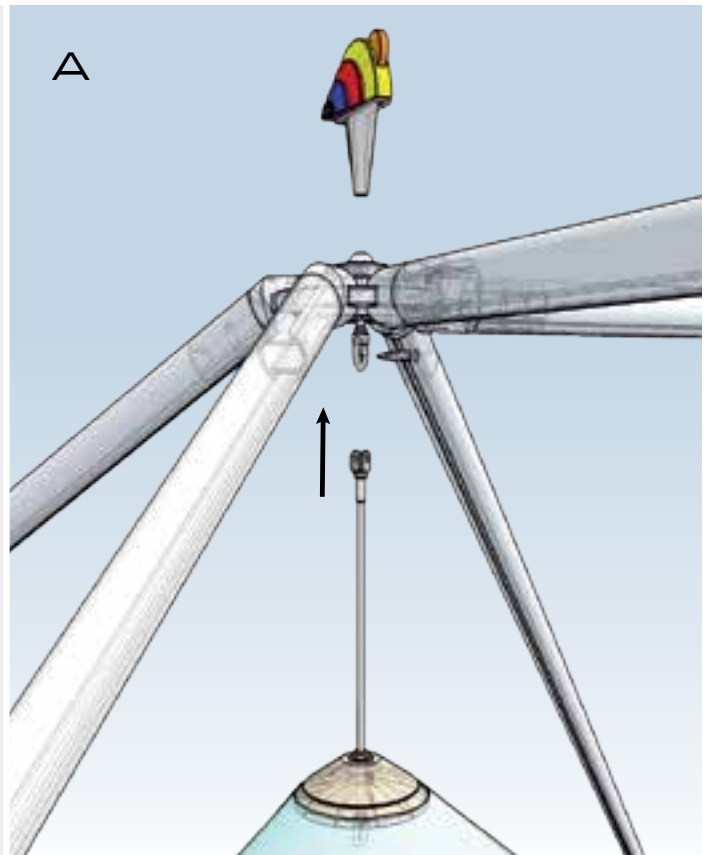
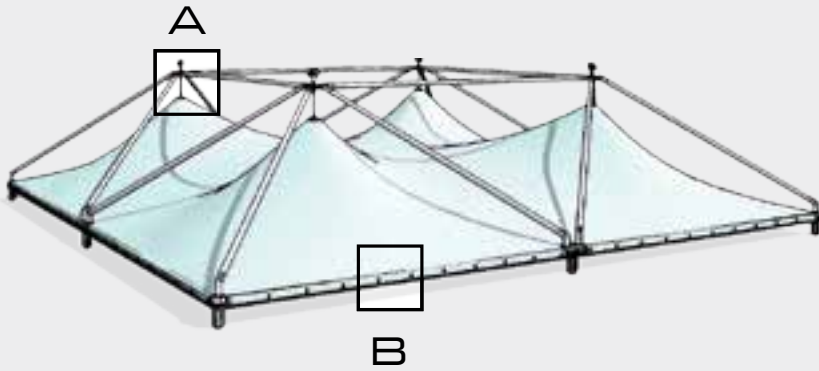


# ASSEMBLY

3

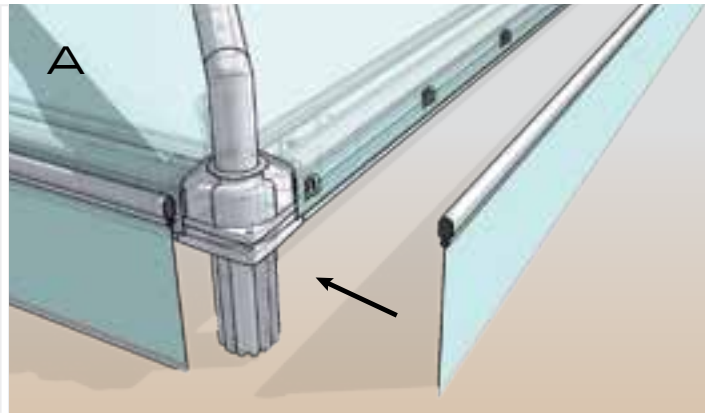
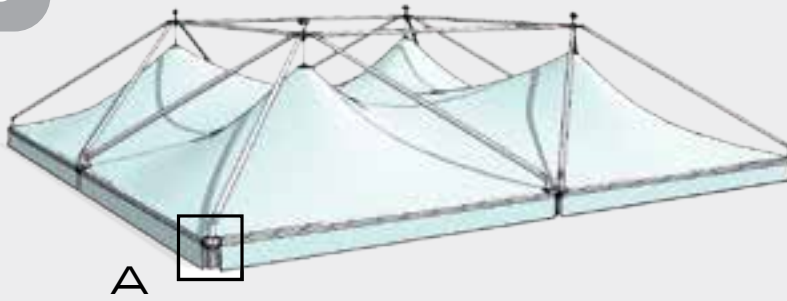


4

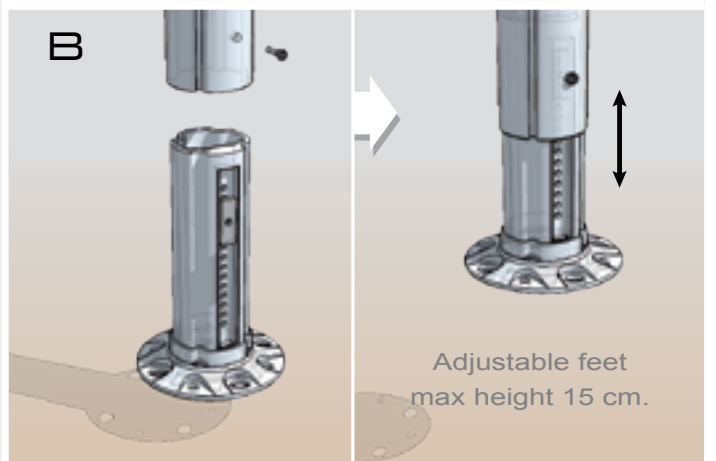
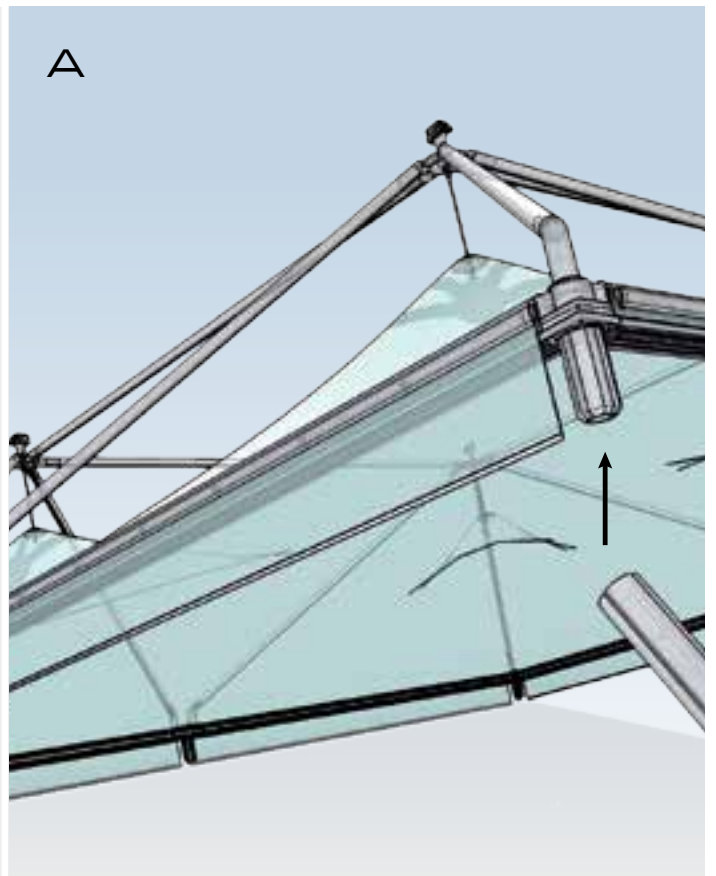
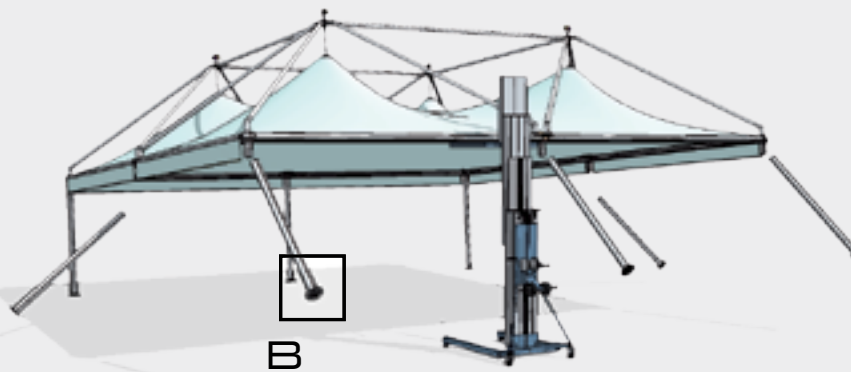
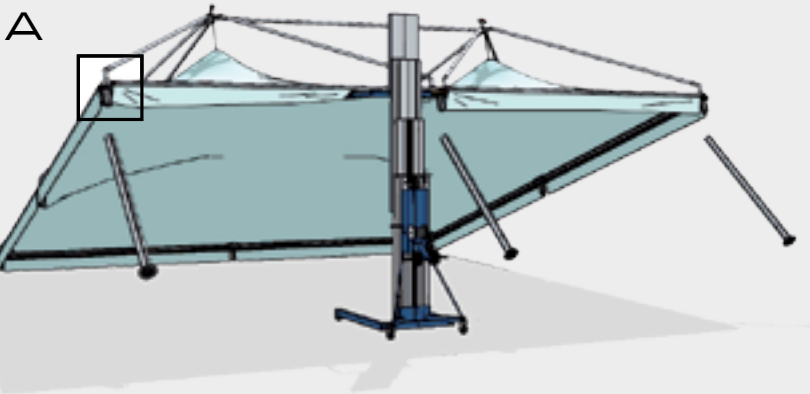


# ASSEMBLY

5

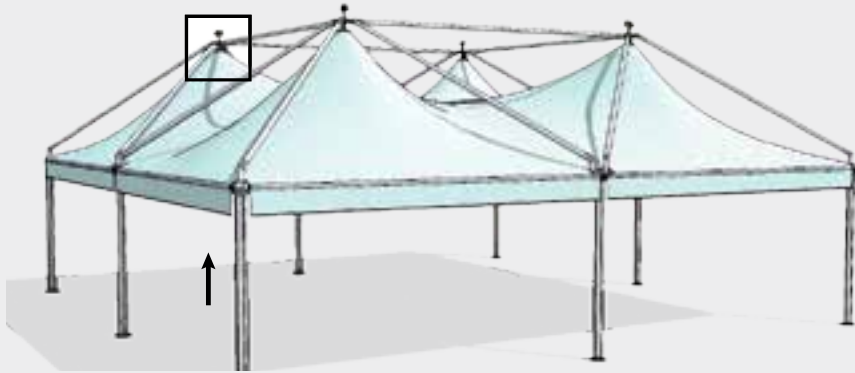


6



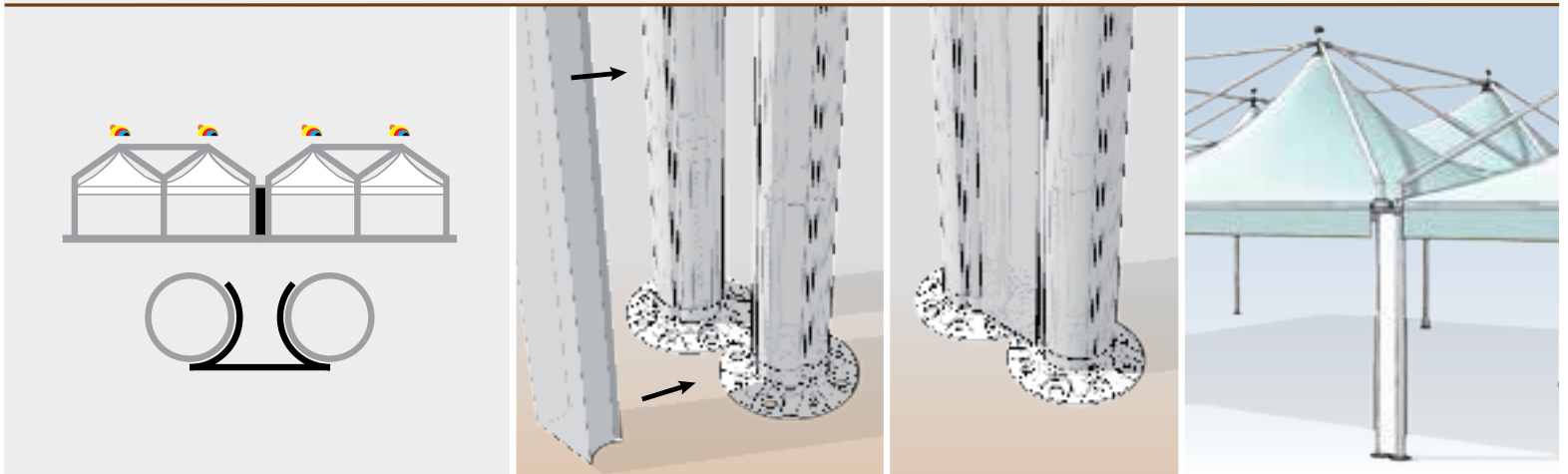
# ASSEMBLY

7

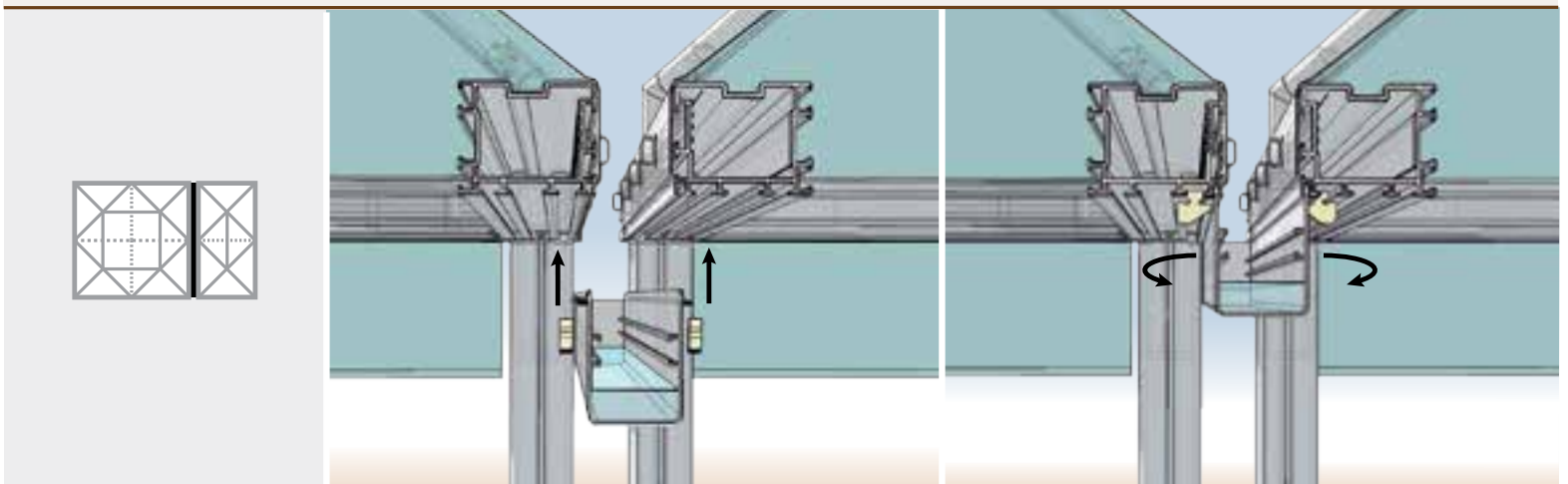


# OPTIONS - FRAME

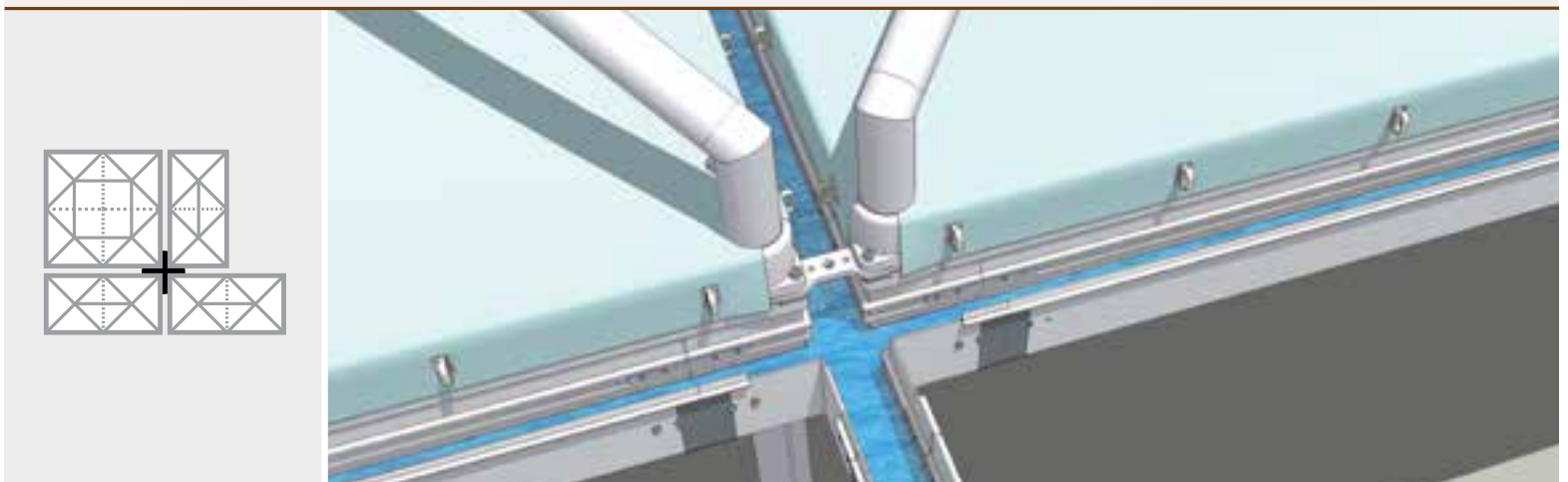
## JUNCTION FILLER



## KIT FOR MODULES' CONNECTION



## CENTRAL JOINT









**GIULIO BARBIERI**  
OUTDOOR SOLUTIONS

Giulio Barbieri S.r.l.

[www.giuliobarbieri.it](http://www.giuliobarbieri.it)

Via Ferrara, 41

44028 Poggio Renatico (FE) - Italy

[info@giuliobarbieri.it](mailto:info@giuliobarbieri.it)

Tel. (+39) 0532 821511

Fax (+39) 0532 821555

