

1

2

3

4

5

6

A

B

C

D

A

B

C

D

Schematic Revisions:

24-05-15 P0.1 - Copied from wifi6 board

PCB Revisions:

24-05-06 Implemented schematic P0.2 changes.  
24-05-05 First draft layout

Drawing: 54-00314-1

Invector Labs AB  
Östra Ingelstad 1603  
27394 Tomelilla  
Drawn by: >DRAWN\_BY  
Appvd by: >APPVD\_BY

Rev: P0.2
challenger-rp2350-bconnect
not saved!
Sheet: 1/4

1

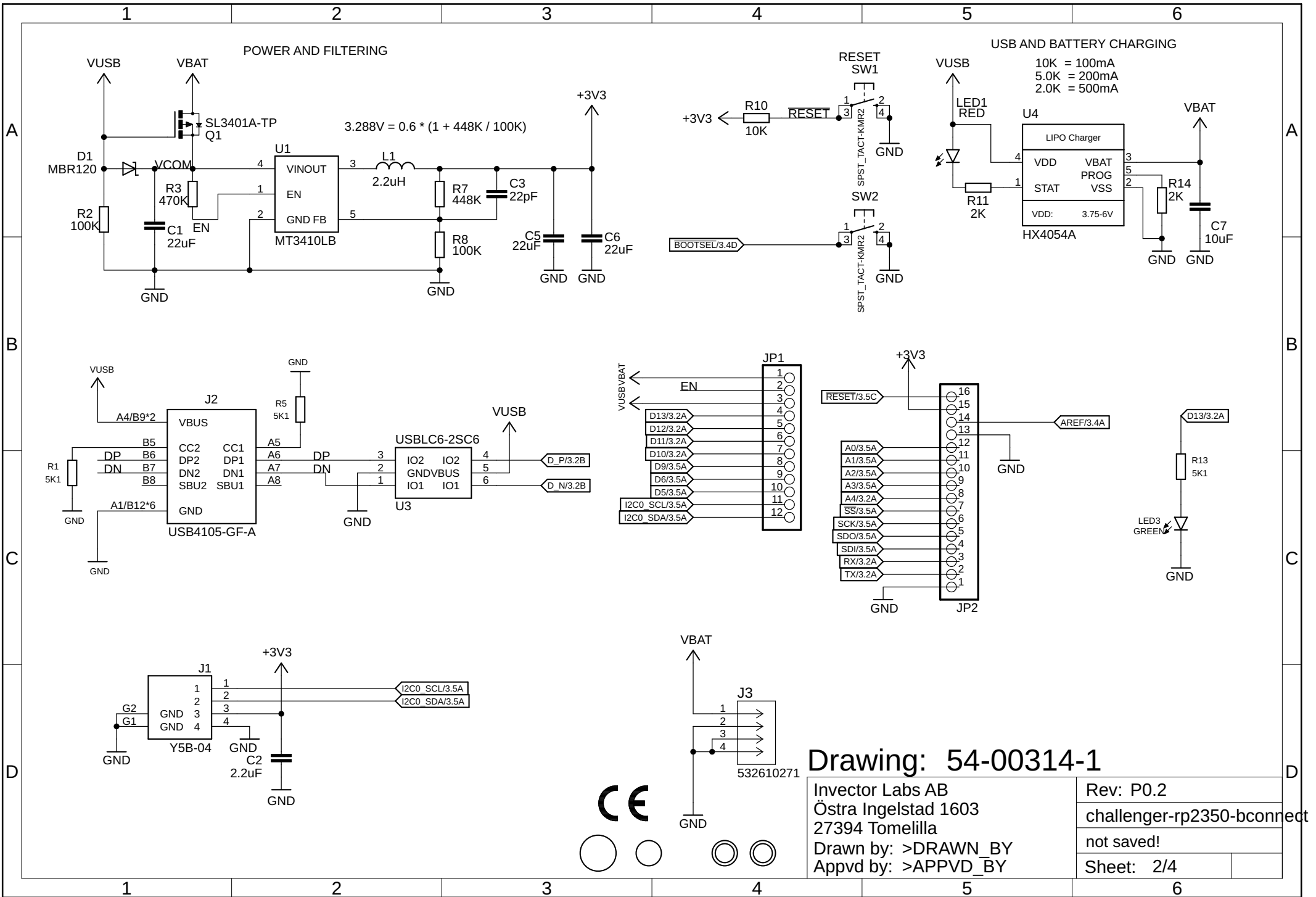
2

3

4

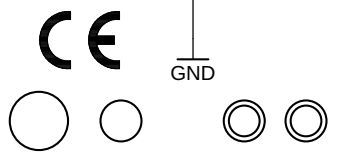
5

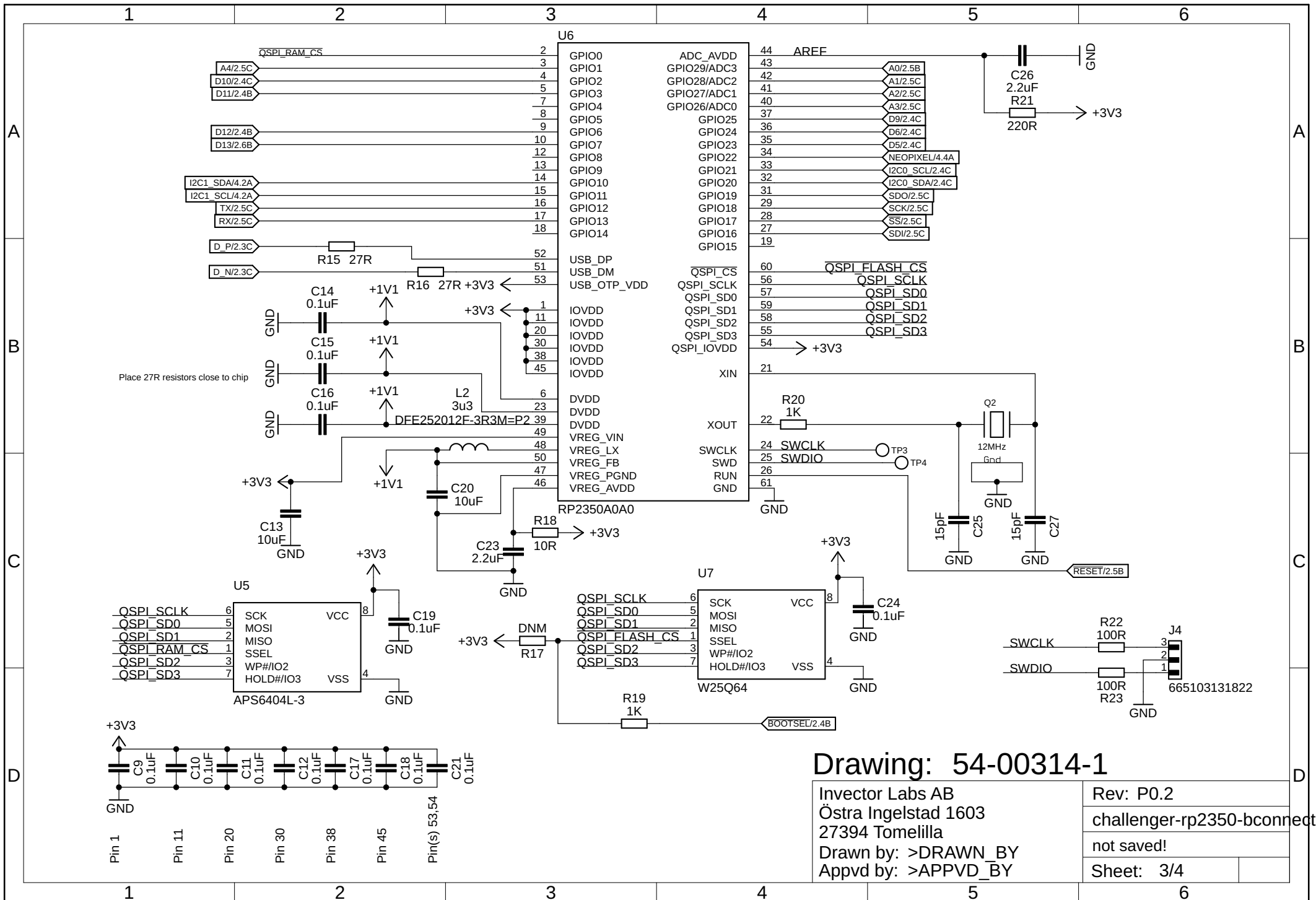
6



**Drawing: 54-00314-1**

Invector Labs AB Östra Ingelstad 1603 27394 Tomelilla	Rev: P0.2
Drawn by: >DRAWN_BY	challenger-rp2350-bconnect
Appvd by: >APPVD_BY	not saved!
	Sheet: 2/4

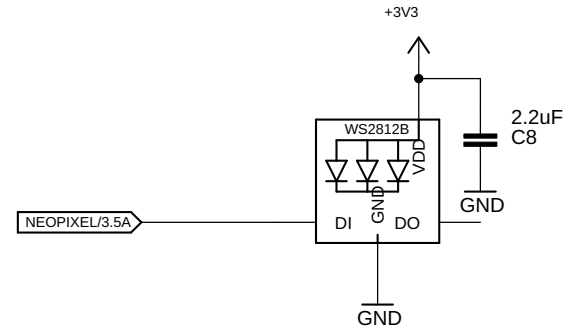
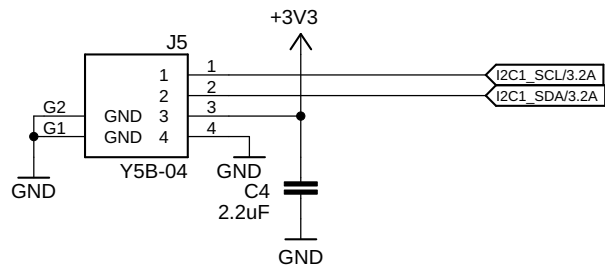




## Drawing: 54-00314-1

Invector Labs AB  
 Östra Ingelstad 1603  
 27394 Tomelilla  
 Drawn by: >DRAWN\_BY  
 Appvd by: >APPVD\_BY

Rev: P0.2  
 challenger-rp2350-bconnect  
 not saved!  
 Sheet: 3/4



## Drawing: 54-00314-1

Invector Labs AB  
 Östra Ingelstad 1603  
 27394 Tomelilla  
 Drawn by: >DRAWN\_BY  
 Appvd by: >APPVD\_BY

Rev: P0.2
challenger-rp2350-bconnect
not saved!
Sheet: 4/4