

DRAWING NO.

C690NSBVXX

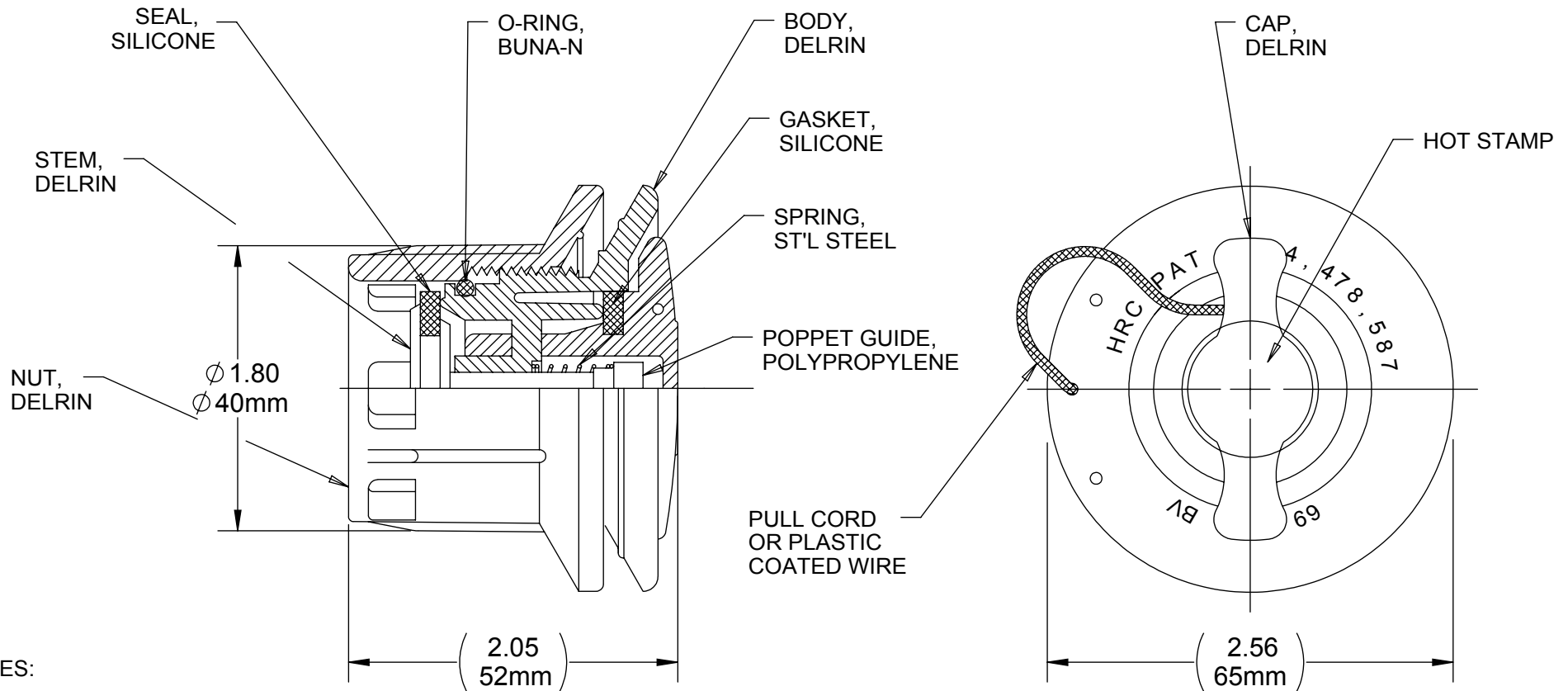
REV

F

Customer Drawing

REVISION HISTORY

REV	DESCRIPTION (ECO)	DATE	APPROVED
5	ADD NOTE 3. SEAL AND GASKET MAT. WAS HYPALON	05-04-01	JW
F	UPDATE NOTES, BORDER, ADD METRIC DIMS. ECN 4261	11/30/09	AK



NOTES:

- FIRST SUFFIX, "X" INDICATES COLOR:
G - GREY
W - WHITE
- SECOND SUFFIX, "X" INDICATES DIRECT SHIPMENT - D.
- CRITICAL DIMENSIONS ARE CIRCLED, AND SUBJECT TO INSPECTION.
- DIMENSIONS IN PARENTHESES ARE FOR REFERENCE ONLY.
- ALL DIMENSIONS ARE IN INCHES WITH NOMINAL, DIMENSIONS IN METRIC BELOW.

QUALITY CRITERIA:

O.D. FLASH: 0.015 MAX. (0.4MM)

GATE VESTIGE: 0.01 MAX. (0.3MM)

EMBEDDED PARTICLES, BUBBLES, SPOTS, STAINS: 0.3mm² MAX. NO MORE THAN 3 PER PART.

MOLDED PARTS:

GATES, PARTING LINES, AND FLASH PER QUALITY CRITERIA

PROPRIETARY AND CONFIDENTIAL

THE INFORMATION CONTAINED IN THIS DRAWING IS SOLE PROPERTY OF HALKEY-ROBERTS CORPORATION ST. PETERSBURG, FL. ANY REPRODUCTION IN PART OR AS A WHOLE WITHOUT THE WRITTEN PERMISSION OF HALKEY-ROBERTS CORPORATION IS PROHIBITED.

DRAWN BY M.S. DATE 10-20-94

APPROVED BY JW DATE

MATERIAL AS NOTED

FINISH

UNLESS OTHERWISE SPECIFIED:

DIMENSIONS ARE IN INCHES

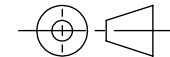
TOLERANCES:

ANGULAR: ± 1°

TWO PLACE DECIMAL ± .01

THREE PLACE DECIMAL ± .005

THIRD ANGLE PROJECTION



Halkey-Roberts

TITLE SHORT BOAT VALVE ASSY.

SIZE A DRAWING NO. C690NSBVXX REV F

SCALE 1:1 SHEET 1 OF 1

DO NOT SCALE DRAWING