

1.5000000000  
1.0000000000  
0.5000000000  
0.0000000000  
-0.5000000000  
-1.0000000000  
-1.5000000000



# StruSoft



# Hollowcore Wall – IPHA Webinar

## Presenter:

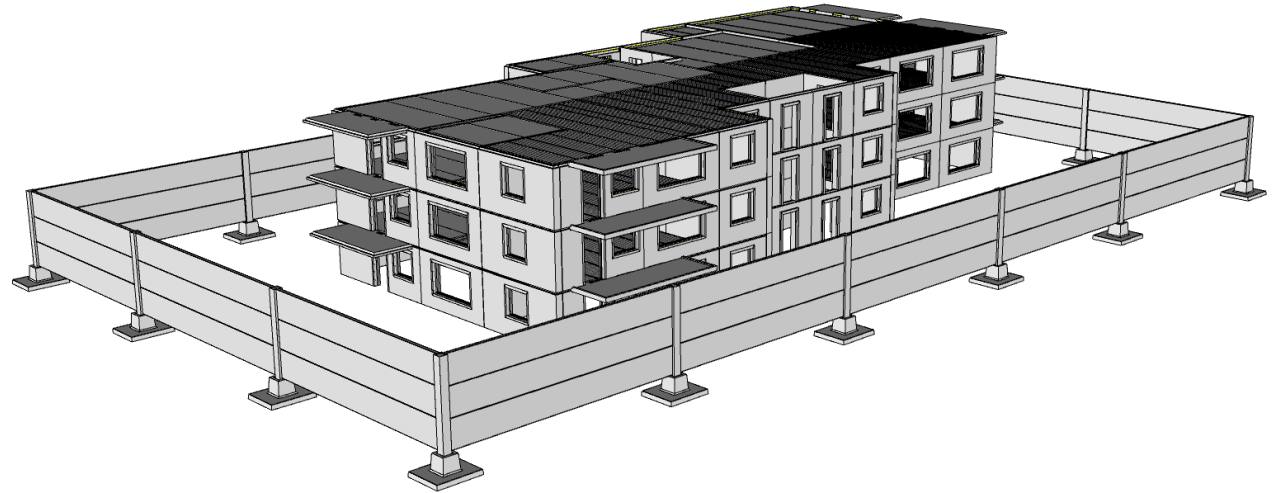


Thomas Gitsas

Implementation/Business Development  
Manager

Tel: +45 26 35 37 16

Email: [thomas.gitsas@strusoft.com](mailto:thomas.gitsas@strusoft.com)



# Agenda

---

- Intro - Hollowcore Wall in real life and its applications
- Software Automation for Hollowcore Wall
- Main Advantages working through the same database

# Introduction – Hollowcore Wall

- As Boundary Wall

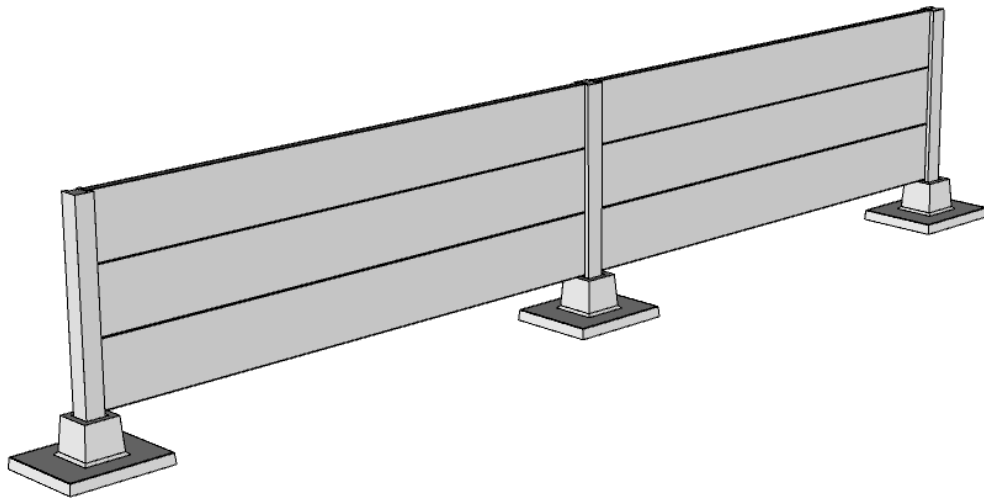


- As External Wall

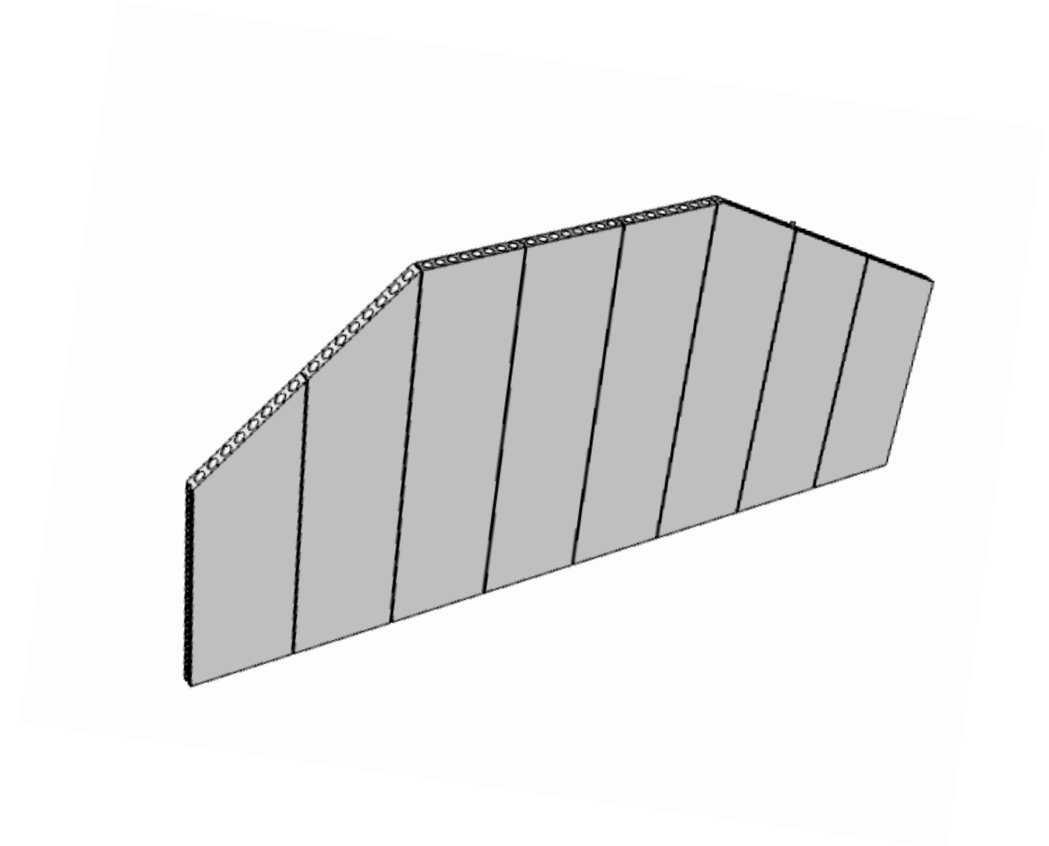


# Introduction – Hollowcore Wall

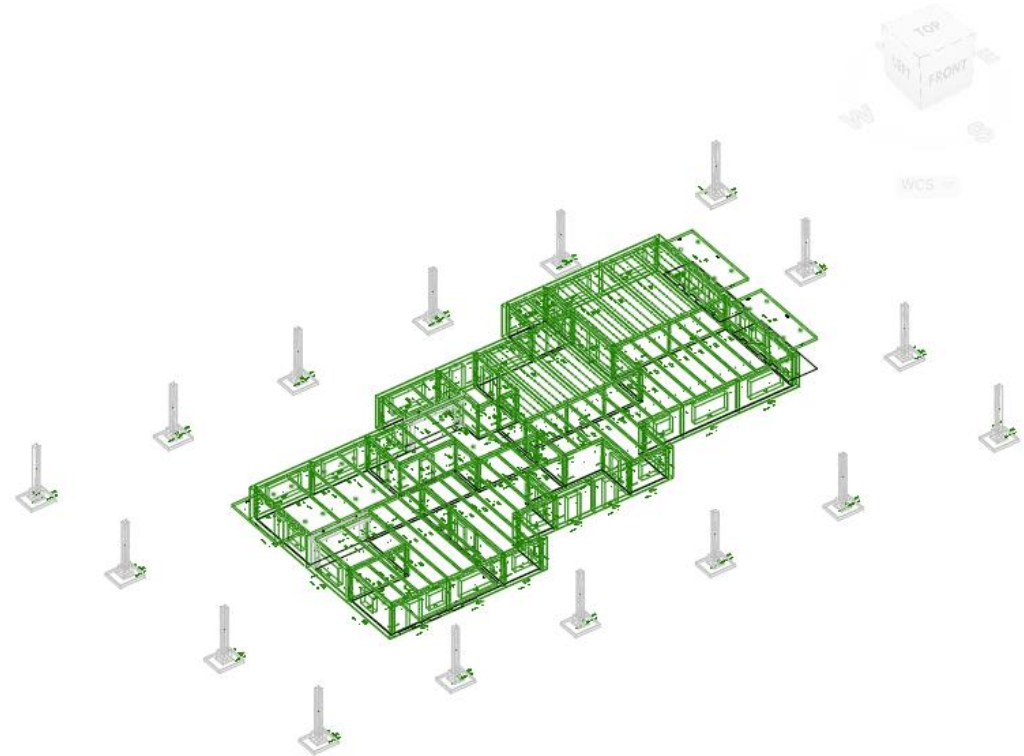
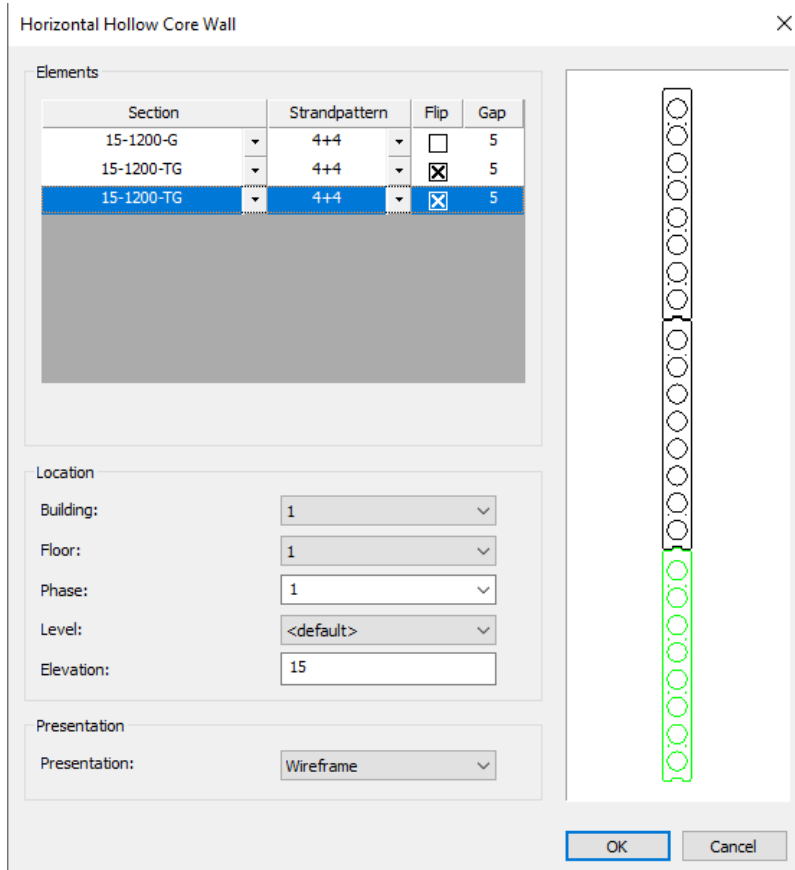
- As Boundary Wall



- As External Wall

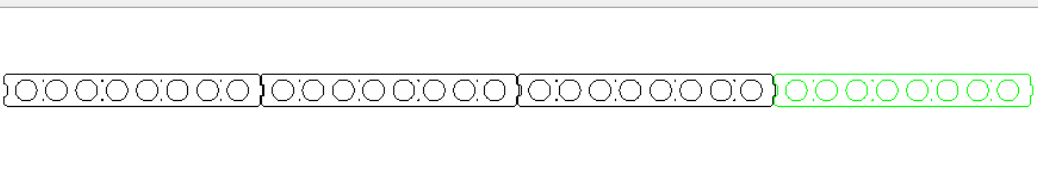


# Automated Hollowcore Boundary Wall



# Automated Hollowcore External Wall

Vertical Hollow Core Wall



Elements

	Start	Continuous	End
Add	<input checked="" type="checkbox"/>	<input checked="" type="checkbox"/>	<input checked="" type="checkbox"/>
Section	15-1200-TG	15-1200-TG	15-1200-TG
Strandpattern	4+4	4+4	4+4
Flip	<input type="checkbox"/>	<input type="checkbox"/>	<input type="checkbox"/>
Gap	5	5	5
Cut	N/A	Yes	N/A
Flip every 2nd	N/A	<input type="checkbox"/>	N/A

Geometry

Height: 2615

Location

Building: 1

Floor: 1

Phase: 1

Level: <default>

Elevation: 15

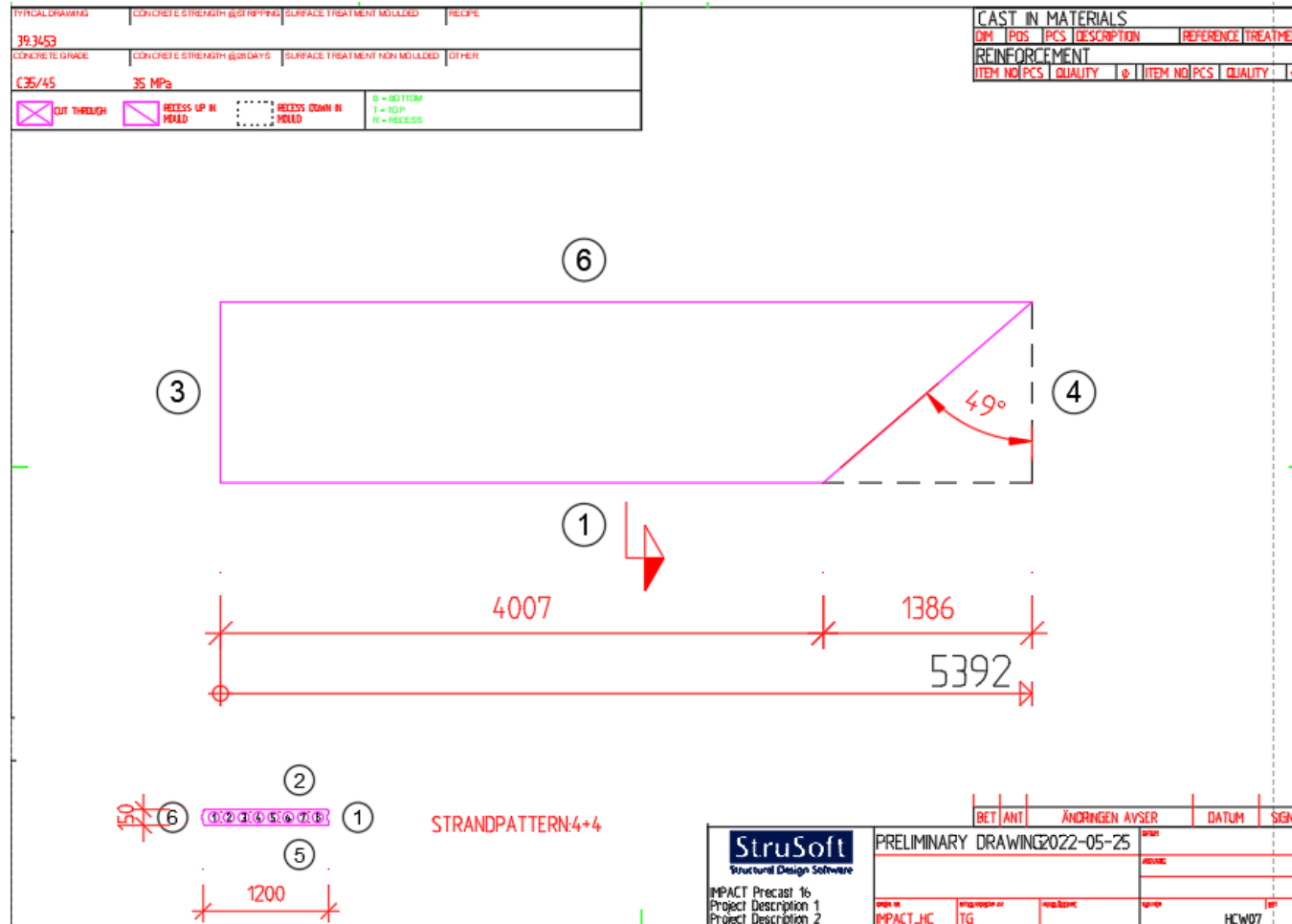
Presentation

Presentation: Wireframe

OK Cancel



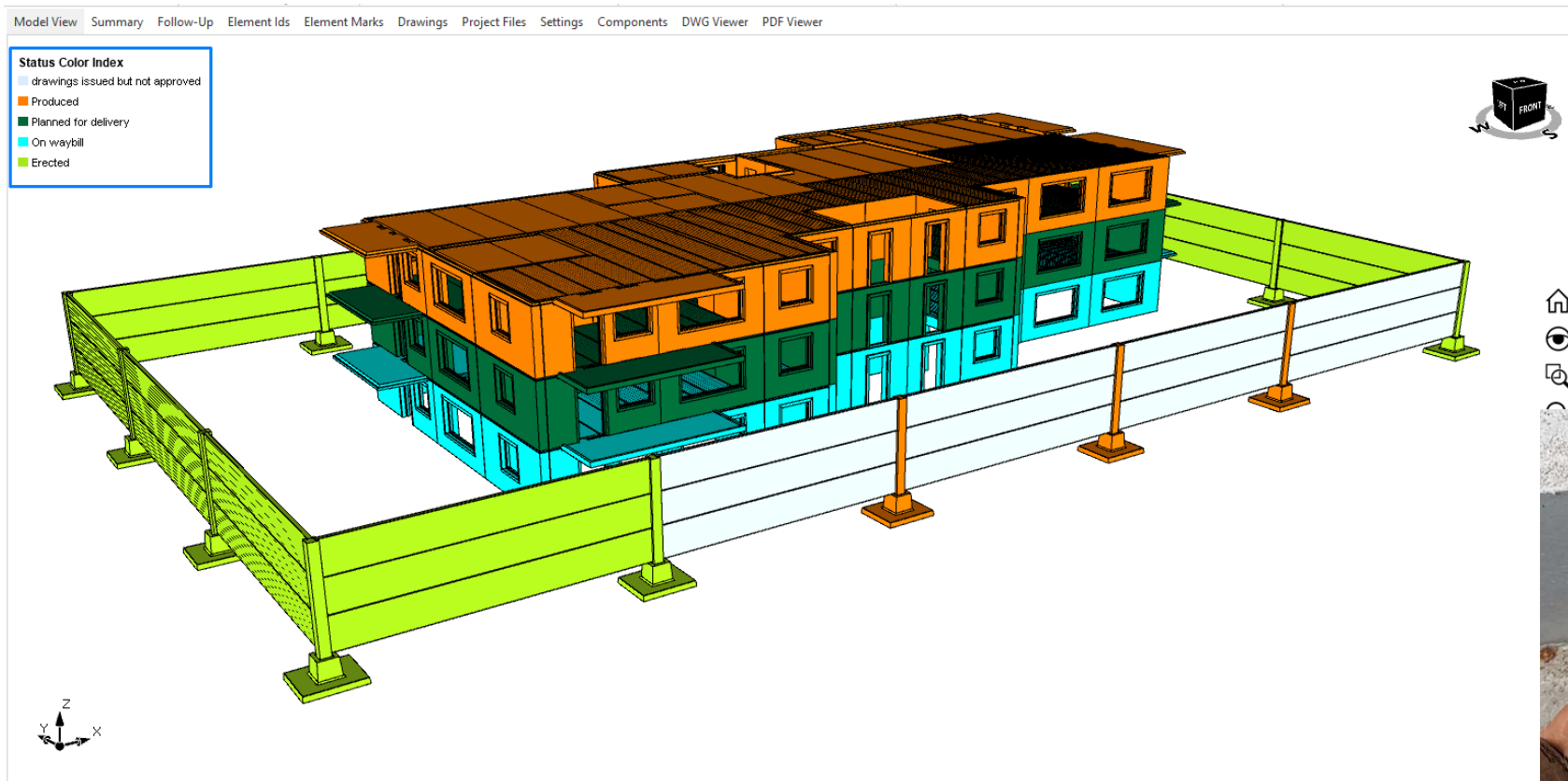
# Automated Hollowcore Wall - SD





# What difference can Automation/BIM make?

- Traceability for the whole life-circle of the Hollowcore/Precast element




### Element Label

**Element Mark**  
**VS2**

Element id: **24**  
Project: **Demo**  
Storage Location: **Storage 1**

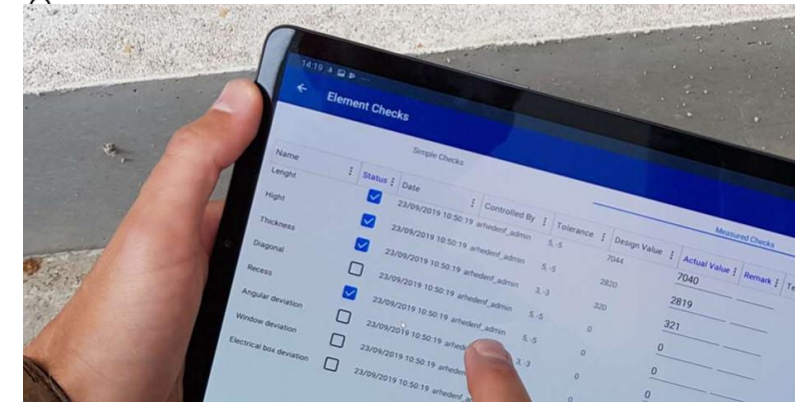
cast ID: **2090**  
cast date: **27/01/2022**

length: **3400**  
width: **200**  
height: **2500**



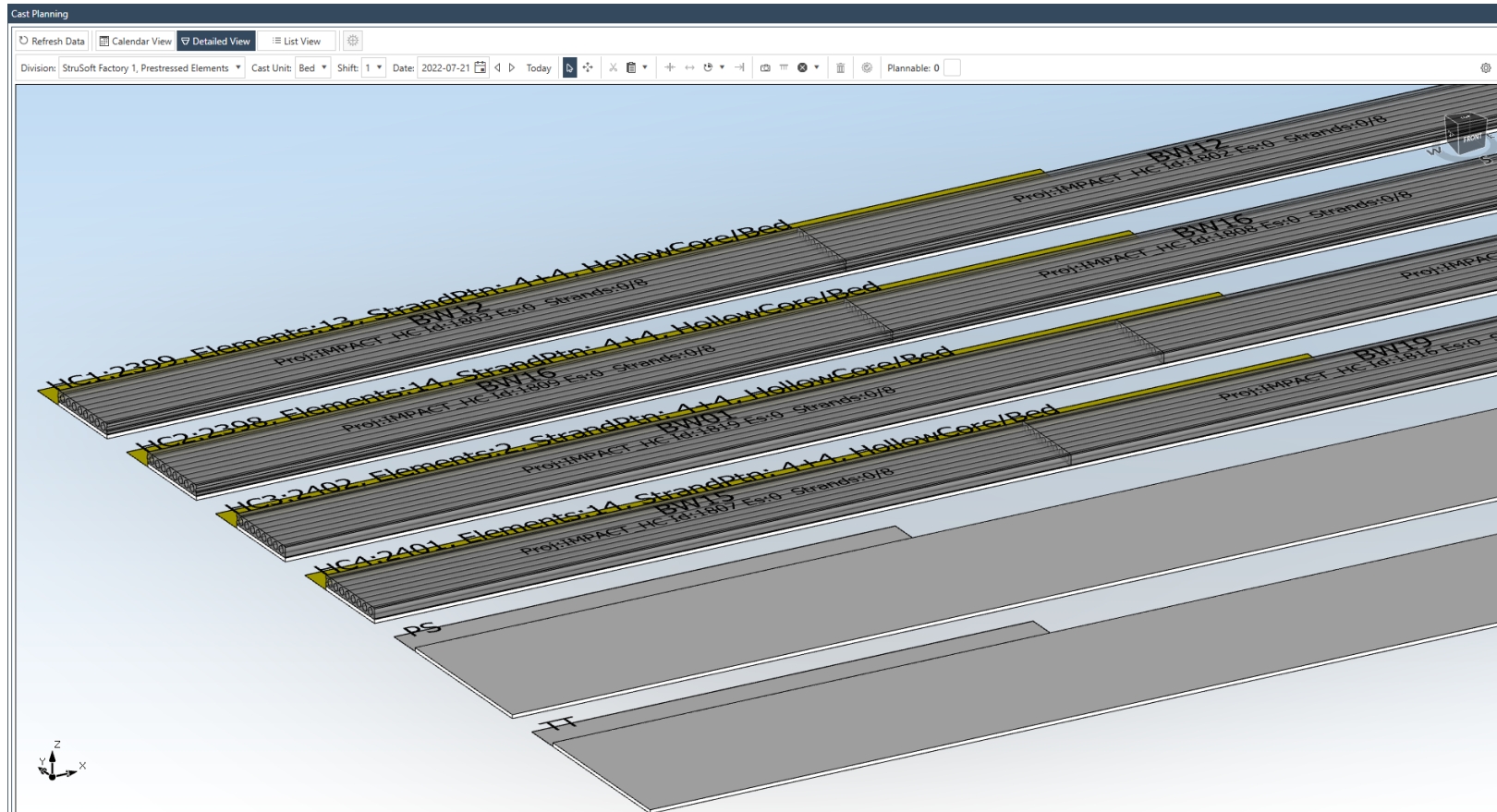
weight: **4,08 tn**

**StruSoft**  
Structural Design Software



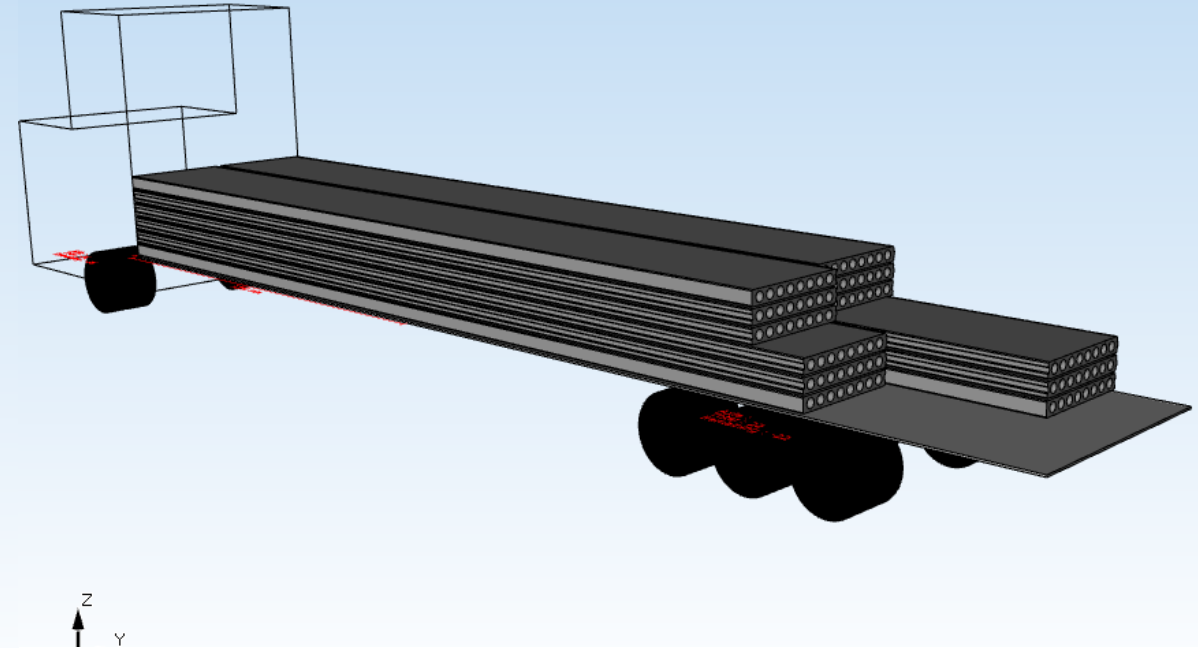
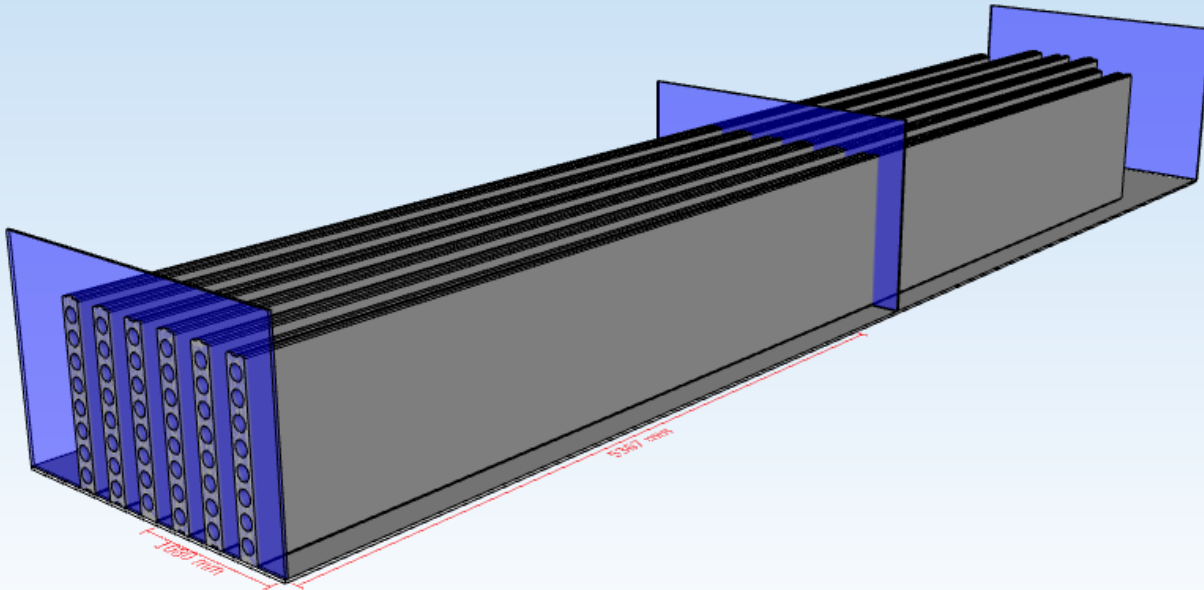
# What difference can Automation/BIM make?

- 3D Cast, 3D Stack/Transport, 3D Construction Sequence Planning



# What difference can Automation/BIM make?

- 3D Cast, **3D Stack/Transport**, 3D Construction Sequence Planning



# What difference can Automation/BIM make?

- 3D Cast, 3D Stack/Transport, **3D Construction Sequence Planning**

**Status Color Index**  
■ drawings issued but not approved  
■ Produced  
■ Planned for delivery  
■ On waybill  
■ Erected

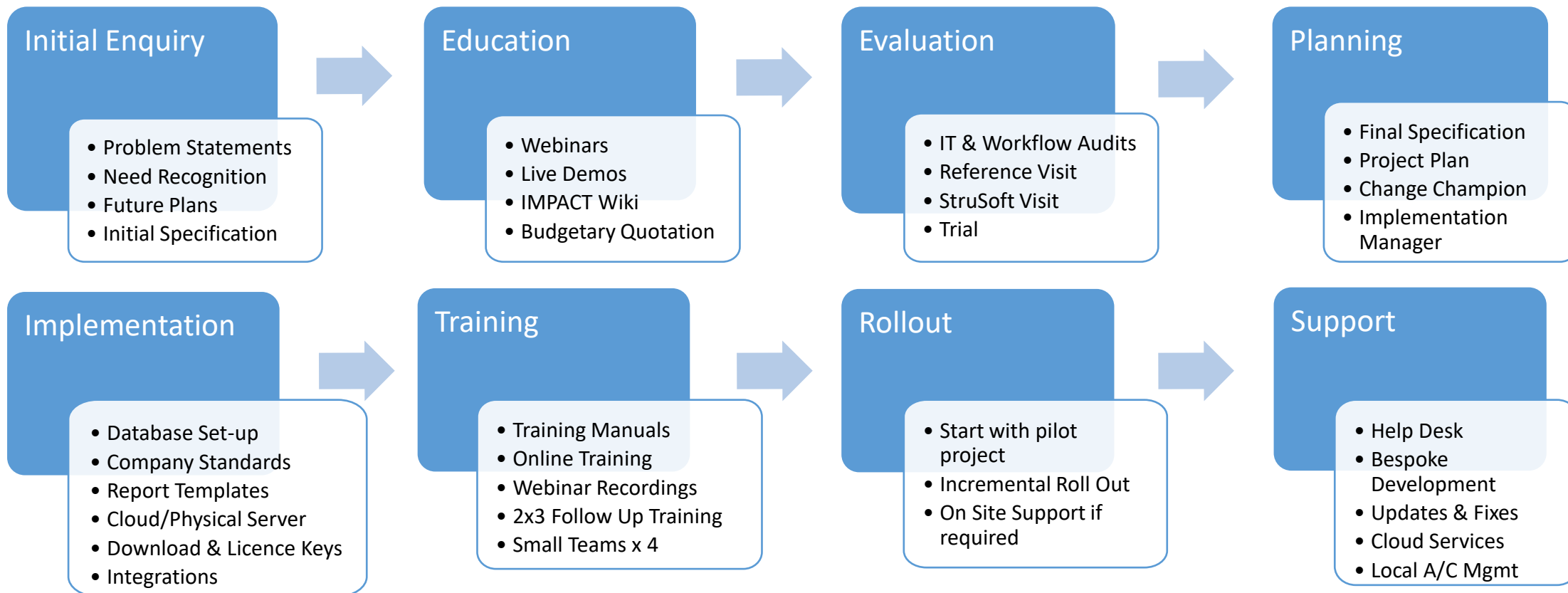


# What difference can Automation/BIM make?

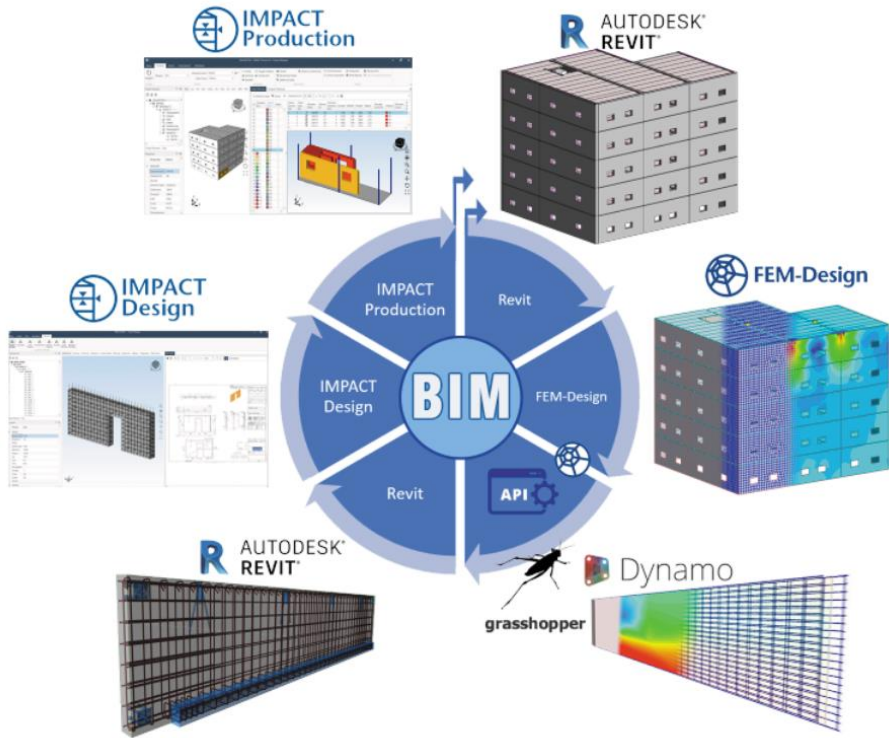
- Traceability for the whole life-circle of the Hollowcore/precast element
- 3D Cast, 3D Stack/Transport, 3D Construction Sequence Planning
- Connects up design, production & project processes into one real-time data set
- Single source of truth for your precast projects



# Our Approach



# Thank you for the attention



## Questions



Want to find out more?

- StruSoft

[www.strusoft.com](http://www.strusoft.com)

- YouTube

[www.youtube.com/user/strusoftofficial](http://www.youtube.com/user/strusoftofficial)

- Wiki

[www.wiki.impact.strusoft.com/xwiki/bin/view/Main/](http://www.wiki.impact.strusoft.com/xwiki/bin/view/Main/)

- IMPACT Blog

[www.strusoft.ghost.io](http://www.strusoft.ghost.io)