

Vetamat®

efficient chip processing

Vetamat®
PV25 - PV50 / DS32 - DS40



>> Advantages

- ▶ very short start-up
- ▶ turnkey execution
- ▶ low space requirements
- ▶ very good accessibility
- ▶ add-on system
- ▶ oil-tightly mounted on tub according WRA
- ▶ high reliability
- ▶ approved LANNER® technology
- ▶ fully automatic operation with standby function
- ▶ expandable for processing long chips and coolant cleaning system
- ▶ chip cart (x) underneath the centrifuge can be fitted and removed from three sides

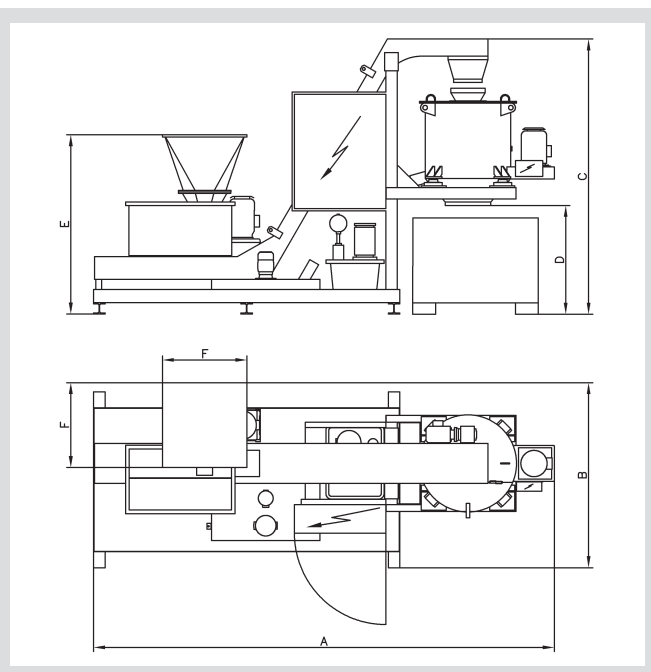
>> Functional principle

With the patented Vetamat® system the metal chips are reliably separated from the coolant. The throughput of the Vetamat® systems can reach up to 2.000 kg/h.

The complete system includes a centrifuge, a conveyor with tank, as well as an oil tub and control cabinet with Siemens S7.

Depending on kind of material either a Paramax® or a lifting bottom centrifuge can be chosen.

With the add-on system the Vetamat® can optionally be expanded with a chip crusher, tramp metal separator, chip cart dumper, material separation as well as coolant treatment.



Type	Throughput* [kg/h]					Dimensions [mm]						Capacity [kW]	Weight [kg]
	Steel/ Stainless steel	Aluminium	Grey cast iron	Brass	Grinding sludge	A	B	C	D	E	F		
PV25	280	80	375	-	-	3.180	1.100	2.020	1.000	**	**	1,5	1.100
PV40	700	230	1.000	-	-	4.280	1.400	2.290	1.000	**	**	3,5	1.500
PV50	1.500	460	2.100	-	-	4.500	1.500	2.290	570	**	**	5,0	2.000
DS32	375	125	560	280	250	4.230	1.320	2.290	750	**	**	5,0	1.650
DS40	750	250	1.125	560	500	4.770	1.400	2.290	590	**	**	5,0	2.000

* Throughput depending on kind of material and used coolant
** Dimensions customised

LANNER®
Anlagenbau GmbH
The Specialist for chip processing