

CEILING FLOOR



CEILING FLOOR

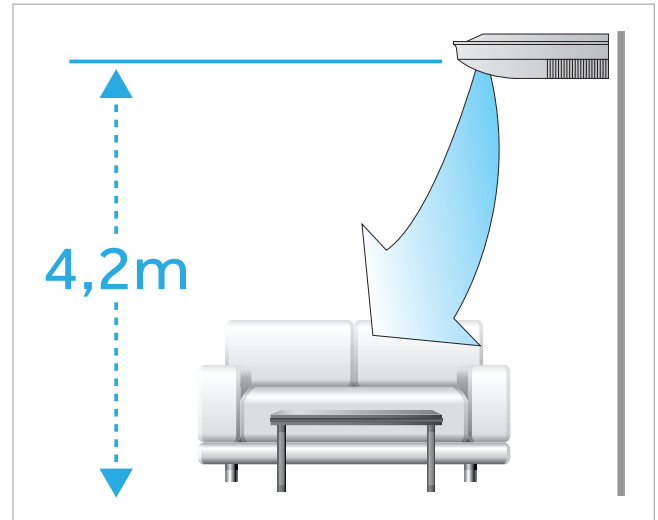
FLOW +

The air is distributed equally in every corner of the room to ensure maximum comfort.

The unit can be installed on the ceiling at a height of 4,2 m.

EASY PCB MAINTENANCE

Easy to wire and maintain PCB: simply open the grille.



SILENCE

The use of DC Inverter fans and optimised design reduces the noise level of the indoor units.

Minimum level of sound pressure of only 33dB(A).

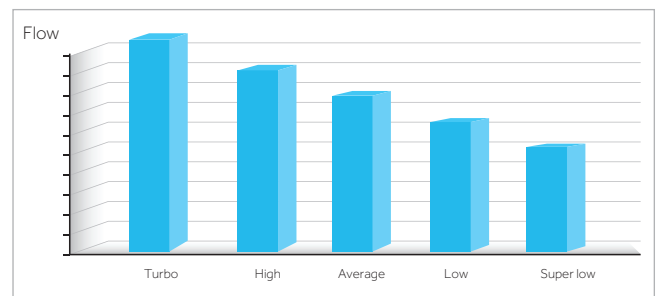


5 SPEED FAN

The fan speed can be set to 5 different programs:

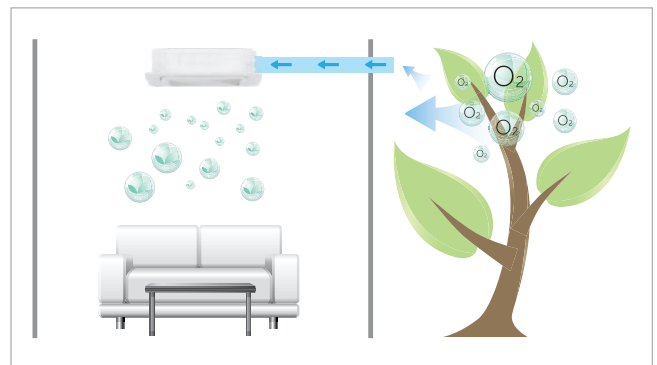
Turbo - High - Medium - Low - Super Low.

(Only with YR-HB or wired controllers)



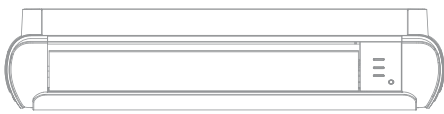
FRESH AIR

Air exchange allows introduction of clean air into the room.

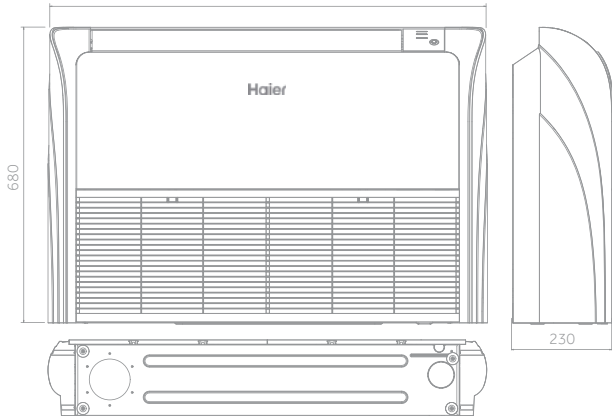




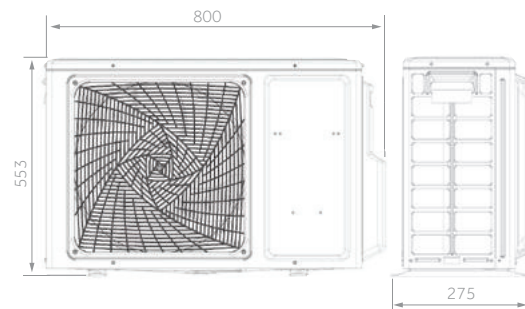
AC25 - AC35 - AC50 - AC71



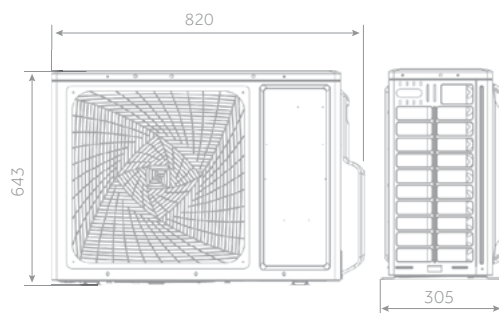
1000 (AC25 - AC50) / 1325 (AC71)



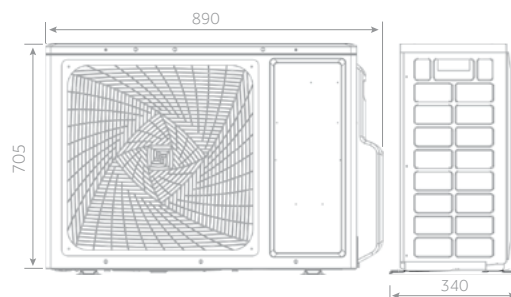
1U25 - 1U35



1U50



1U71



2.5 kW - 3.5kW

5,0 kW

7,1 kW

CEILING FLOOR NEW

Haier

MONOSPLIT



A+++ / A+

2,5 kW

3,5 kW

5,0 kW

7,1 kW

Please see pages 40 & 41 For Controller Options



Silence



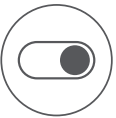
Flow +



5 Speed Fan



Fresh Air



On-Off Card



Integrated Wi-Fi Control



UVC Sterilisation

- Low noise level
- Flow +: Internal deflectors are divided into two groups with independent motors (independent right-left airflow)
- 5 fan speed: turbo, high, medium, low, super low (only with YR-HQS01 or wired controller)

- 'Fresh air' knockout is incorporated in the chassis to allow fresh air introduction of up to 20% of nominal unit air flow without compromising the cooling capacity. More than 20% of the air conditioner's thermal cooling capacity is penalise
- Integrated Wi-Fi control
- UVC Sterilisation

(>AC71) CEILING		(>AC71) FLOOR	
m (kg)	Sup. (m ²)	m (kg)	Sup. (m ²)
1.225	0,95	1.225	12,9
1.4	1,25	1.4	16,8
1.6	1,63	1.6	22,0
1.8	2,07	1.8	27,8
2,0	2,55	2,0	34,3
2,2	3,09	2,2	41,5
2,4	3,68	2,4	49,4
2,6	4,31	2,6	58,0
2,8	5,00	2,8	67,3
3,0	5,74	3,0	77,2



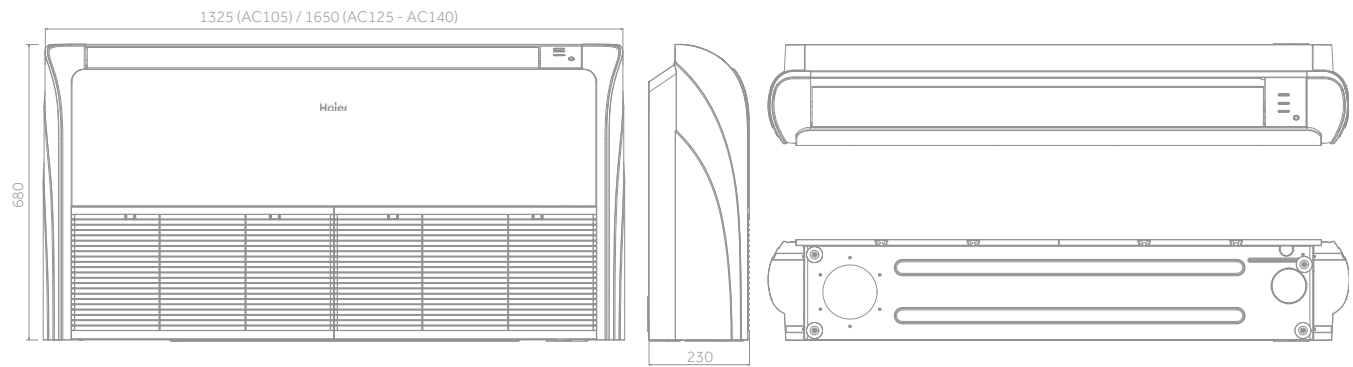
INDOOR UNIT	Model	AC25S2SG1FA(H)	AC35S2SG1FA(H)	AC50S2SG1FA(H)	AC71S2SG1FA(H)	
OUTDOOR UNIT	Model	1U25S2SM1FA-2	1U35S2SM1FA-2	1U50S2S2FA-2	1U71S2ST1FA	
Performance data						
Output power - COOLING	nom (min-max) kW	2,5 (0,7-4,3)	3,50 (1,00-4,30)	5,00 (1,40-5,70)	7,10 (2,00-7,30)	
Output power - HEATING	nom (min-max) kW	3,1 (0,9-4,6)	4,00 (1,00-5,30)	5,80 (1,40-6,00)	7,80 (2,50-8,50)	
Absorbed power - COOLING	nom (min-max) kW	0,77 (0,25-1,6)	0,91 (0,30-1,50)	1,45 (0,50-2,00)	1,89 (0,50-2,60)	
Absorbed power - HEATING	nom (min-max) kW	0,84 (0,25-1,6)	1,07 (0,50-1,60)	1,56 (0,52-2,35)	1,95 (0,50-3,10)	
Energy class	EER	W/W	3,23	3,81	3,48	3,75
	COP	W/W	3,71	3,73	3,73	4,00
COOLING Pdesign	35°C	kW	2,5	3,50	5,00	7,10
HEATING Pdesign	(-10°C)	kW	2,8	3,00	4,40	5,00
Energy class	SEER		6,1 (A+++)	8,50 (A+++)	7,31 (A++)	7,15 (A++)
	SCOP		4,0 (A+)	4,47 (A+)	4,10 (A+)	4,25 (A+)
Annual Energy Consumption - COOLING	kWh/a	210	146	240	406	
Annual Energy Consumption - HEATING	kWh/a	1398	945	1491	1831	
Indoor Unit						
Power supply		Ph/V/Hz	1/220-240/50/60	1/220-240/50/60	1/220-240/50/60	1/220-240/50/60
Treated air volume	(H/M/L/Q)	m ³ /h	580/480/380/280	750/620/500/400	880/750/650/500	1250/1128/930/840
High sound power		dB	50	53	57	61
Sound pressure		dB(A)	35/32/28/26	39/36/33/30	44/41/38/35	43/40/38/35
Net dimensions	WxDxH	mm	1000x230x680	1000x230x680	1000x230x680	1325x230x680
Packaging dimensions	WxDxH	mm	1100x305x779	1100x305x779	1100x305x779	1425x305x779
Net/gross weight		kg	26,0/32,0	26,0/32,0	26,0/32,0	33,5/41,9
Outdoor Unit						
Power supply		Ph/V/Hz	1/220-240/50	1/220-240/50	1/220-240/50	1/220-240/50/60
Power cable		N x mm ²	3 x 1,5	3 x 1,5	3 x 1,5	3 x 4,0
Interconnection cable		N x mm ²	4 x 1,0	4 x 1,0	4 x 1,0	4 x 2,5
Sound power	H	dB	59	61	63	68
Sound pressure	H	dB(A)	47	48	50	54
Running current cooling/heating	Max	A	8,0	8,0	10,68	13,1
Starting current cooling/heating	Max	A	2,0	2,0	2,0	2,0
Net dimensions	WxDxH	mm	800x275x553	800x275x553	820x305x643	890x340x705
Packaging dimensions	WxDxH	mm	902x375x607	902x375x607	940x390x697	1046x460x780
Net/gross weight		kg	27,6/30,4	30,0/32,9	35,7/38,5	44,0/48,0
Compressor type			Rotary inverter	Rotary inverter	Twin rotary inverter	Twin rotary inverter
Installation data						
Refrigerant			R32	R32	R32	R32
Liquid pipe	Ø	mm (inch)	6,35 (1/4)	6,35 (1/4)	6,35 (1/4)	9,52 (3/8)
Gas pipe	Ø	mm (inch)	9,52 (3/8)	9,52 (3/8)	12,70 (1/2)	15,88 (5/8)
Standard pipe length without refrigerant charge		m	7	7	7	10
Maximum pipe length		m	20	20	25	50
Maximum IU - OU elevation		m	10	10	15	30
Refrigerant charge in the factory		kg	0,63	0,78	1,10	1,23
Refrigerant charge in the factory		TCO ₂ eq	0,43	0,53	0,74	0,83
Additional ref. charge over std length		g/m	20	20	20	45
Outdoor operating limits - COOLING	min-max	°C			-20-43	
Outdoor operating limits - HEATING	min-max	°C			-20-24	

The data in this catalogue is purely indicative as the data may vary. Please be advised to check the accuracy of the data with the supplier before purchasing products.

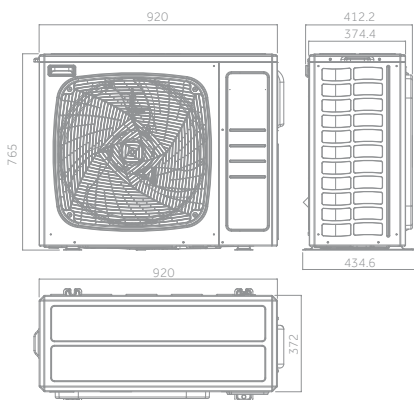
CEILING FLOOR



AC105 - AC125

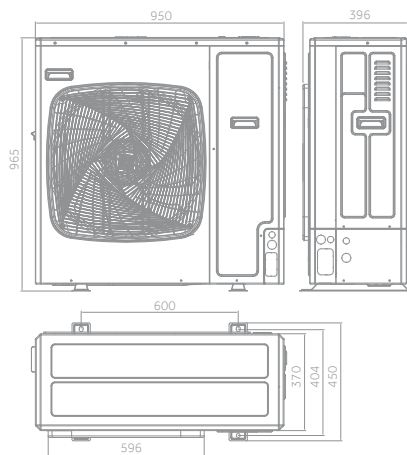


1U105



10,5 kW

1U125



12,5 kW



CEILING FLOOR

Haier

MONOSPLIT

9,5 kW

12,3 kW

Please see pages 40 & 41
For Controller Options



A+++ / A+



Silence



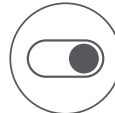
Flow +



5 Speed Fan



Fresh Air



On-Off Card



Integrated Wi-Fi Control



UVC Sterilisation

≥AC71) CEILING		≥AC71) FLOOR	
m (kg)	Sup. (m²)	m (kg)	Sup. (m²)
1,23	0,95	1,23	12,90
1,40	1,25	1,40	16,80
1,60	1,63	1,60	22,00
1,80	2,07	1,80	27,80
2,00	2,55	2,00	34,30
2,20	3,09	2,20	41,50
2,40	3,68	2,40	49,40
2,60	4,31	2,60	58,00
2,80	5,00	2,80	67,30
3,00	5,74	3,00	77,20

- Low noise level
- Flow +: Internal deflectors are divided into two groups with independent motors (independent right-left airflow)
- 5 fan speed: turbo, high, medium, low, super low (only with YR-HQS01 or wired controller)

- 'Fresh air' knockout is incorporated in the chassis to allow fresh air introduction of up to 20% of nominal unit air flow without compromising the cooling capacity. More than 20% of the air conditioner's thermal cooling capacity is penalise
- Integrated Wi-Fi control
- UVC Sterilisation

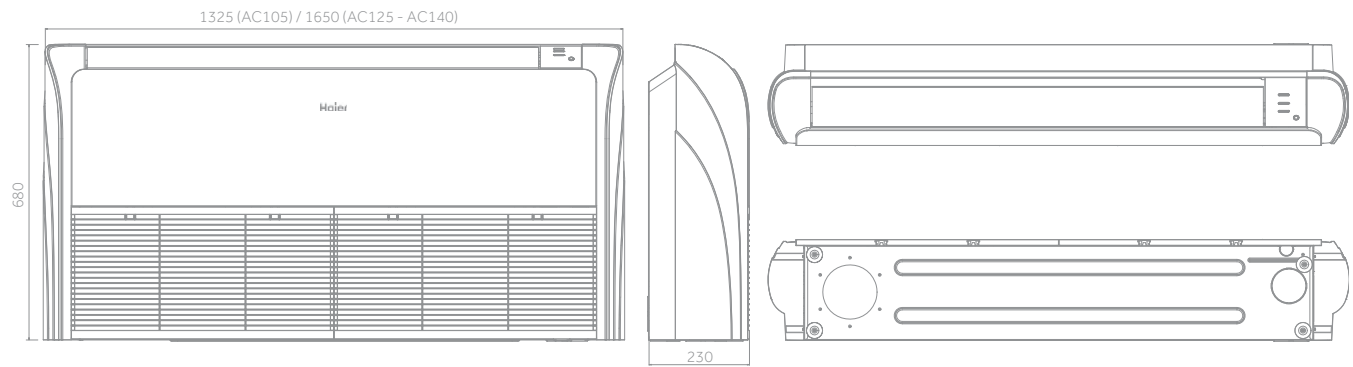


INDOOR UNIT	Model	AC105S2SH1FA(H)	AC105S2SH1FA(H)	AC125S2SK1FA(H)	AC125S2SK1FA(H)
OUTDOOR UNIT	Model	1U105S2SS2FA	1U105S2SS1FB	1U125S2SN2FA	1U125S2SN2FB
Performance data					
Output power - COOLING	nom (min-max)	kW	9,50 (2,50-10,00)	9,50 (2,50-10,00)	12,30 (3,00-13,00)
Output power - HEATING	nom (min-max)	kW	10,20 (3,00-10,50)	10,50 (3,00-11,00)	12,70 (3,50-13,50)
Absorbed power - COOLING	nom (min-max)	kW	3,13 (0,50-4,00)	3,25 (0,50-4,00)	4,54 (1,00-6,00)
Absorbed power - HEATING	nom (min-max)	kW	3,07 (0,50-4,00)	3,10 (0,50-4,00)	3,96 (1,00-6,00)
Energy class	EER	W/W	3,04	2,90	2,71
	COP	W/W	3,32	3,50	3,21
COOLING Pdesign	35 °C	kW	9,50	9,50	12,30
HEATING Pdesign	(-10 °C)	kW	7,00	6,00	8,00
Energy class	SEER		6,11 (A++)	6,11 (A++)	5,86 (A+)
	SCOP		3,80 (A)	3,91 (A)	3,97 (A)
Annual Energy Consumption - COOLING		kWh/a	549	557	738
Annual Energy Consumption - HEATING		kWh/a	2750	2228	2995
Indoor Unit					
Power supply		Ph/V/Hz	1/220-240/50/60	1/220-240/50/60	1/220-240/50/60
Treated air volume	(H/M/L/Q)	m ³ /h	1600/1400/1280/1160	1600/1400/1280/1160	2050/1900/1600/1400
High sound power		dB	61	63	64
Sound pressure		dB(A)	47/43/41/37	47/43/41/37	46/43/41/38
Net dimensions	WxDxH	mm	1325x230x680	1325x230x680	1650x230x680
Packaging dimensions	WxDxH	mm	1425x305x779	1425x305x779	1750x305x779
Net/gross weight		kg	33,5/41,9	33,5/41,9	43,0/51,0
Outdoor Unit					
Power supply		Ph/V/Hz	1/220-240/50/60	3/380-415/50/60	1/220-240/50/60
Power cable		N x mm ²	3 x 4,0	5 x 4,0	3 x 6,0
Interconnection cable		N x mm ²	4 x 2,5	4 x 2,5	4 x 2,5
Sound power	H	dB	66	68	72
Sound pressure	H	dB(A)	53	54	58
Running current cooling/heating	Max	A	16,5	6,8	26,0
Starting current cooling/heating	Max	A	3,0	1,0	4,0
Net dimensions	WxDxH	mm	920x372x765	920x372x765	950x370x965
Packaging dimensions	WxDxH	mm	1036x478x820	1085x485x830	1050x485x1130
Net/gross weight		kg	60,0/65,0	61,0/66,0	84,0/89,0
Compressor type			Twin rotary inverter	Twin rotary inverter	Twin rotary inverter
Installation data					
Refrigerant			R32	R32	R32
Liquid pipe	∅	mm (inch)	9,52 (3/8)	9,52 (3/8)	9,52 (3/8)
Gas pipe	∅	mm (inch)	15,88 (5/8)	15,88 (5/8)	15,88 (5/8)
Standard pipe length without refrigerant charge		m	30	30	30
Maximum pipe length		m	50	50	50
Maximum IU - OU elevation		m	30	30	30
Refrigerant charge in the factory		kg	1,70	1,70	2,30
Refrigerant charge in the factory		TCO ₂ eq	1,15	1,15	1,55
Additional ref. charge over std length		g/m	45	45	45
Outdoor operating limits - COOLING	min-max	°C			-20-46
Outdoor operating limits - HEATING	min-max	°C			-20-24

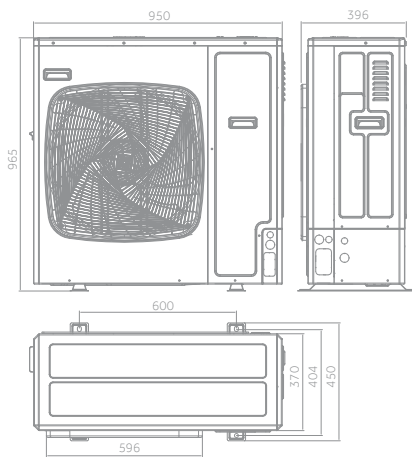
CEILING FLOOR



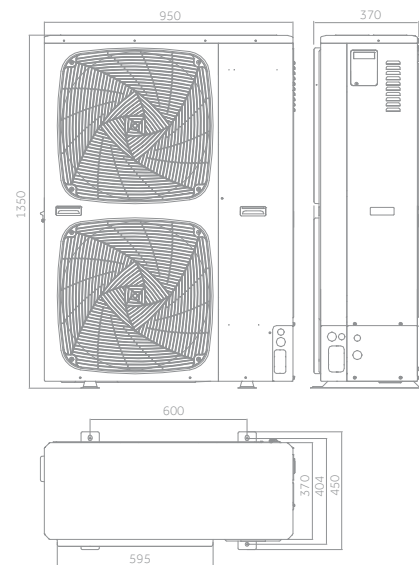
AC140 - AC160



1U140



1U140 - 1U160



14,0kW - 16,0kW

CEILING FLOOR

Haier

13,4 kW

16,0 kW

Please see pages 40 & 41
For Controller Options

MONOSPLIT



A+ / A



Silence



Flow +



5 Speed Fan



Fresh Air



On-Off Card



Integrated Wi-Fi Control



UVC Sterilisation

- Low noise level
- Flow +: Internal deflectors are divided into two groups with independent motors (independent right-left airflow)
- 5 fan speed: turbo, high, medium, low, super low (only with YR-HQS01 or wired controller)

- 'Fresh air' knockout is incorporated in the chassis to allow fresh air introduction of up to 20% of nominal unit air flow without compromising the cooling capacity. More than 20% of the air conditioner's thermal cooling capacity is penalise
- Integrated Wi-Fi control
- UVC Sterilisation

(>AC71) CEILING	
m (kg)	Sup. (m²)
1,23	0,95
1,40	1,25
1,60	1,63
1,80	2,07
2,00	2,55
2,20	3,09
2,40	3,68
2,60	4,31
2,80	5,00
3,00	5,74

(>AC71) FLOOR	
m (kg)	Sup. (m²)
1,23	12,90
1,40	16,80
1,60	22,00
1,80	27,80
2,00	34,30
2,20	41,50
2,40	49,40
2,60	58,00
2,80	67,30
3,00	77,20



INDOOR UNIT	Model	AC140S2SK1FA(H)	AC140S2SK1FA(H)	AC140S2SK1FA(H)	AC140S2SK1FA(H)	AC160S2SK1FA(H)
OUTDOOR UNIT	Model	1U140S2SN1FA	1U140S2SN1FB	1U140S2SP2FA	1U140S2SP2FB	1U160S2SP1FB
Performance data						
Output power - COOLING	nom (min-max)	kW	13,4 (3,5 -14,0)	13,4 (3,5-14,0)	13,6 (4,0-15,0)	13,6 (4,0-15,0)
Output power - HEATING	nom (min-max)	kW	15,0 (4,0-15,5)	15,0 (4,0-15,5)	15,0 (4,5-16,0)	15,0 (4,5-16,0)
Absorbed power - COOLING	nom (min-max)	kW	5,23(1,0-6,5)	5,13(1,0-6,5)	4,53(1,0-6,0)	4,53(1,0-6,0)
Absorbed power - HEATING	nom (min-max)	kW	5,08(1,0-6,5)	4,97(1,0-6,5)	4,17(1,0-6,0)	4,29(1,0-6,0)
Energy class	EER	W/W	2,56	2,61	3	3
	COP	W/W	2,95	3,02	3,6	3,5
COOLING Pdesign	35 °C	kW	13,4	13,4	13,6	13,6
HEATING Pdesign	(-10 °C)	kW	8,5	8,5	10	10
Energy class	SEER		5,92 (A+)	5,97 (A+)	6,16 (A++)	6,18 (A++)
	SCOP		3,97 (A)	4 (A+)	4,06 (A+)	4,06 (A+)
Annual Energy Consumption - COOLING		kWh/a	792	786	761	759
Annual Energy Consumption - HEATING		kWh/a	2995	2976	3791	3791
Indoor Unit						
Power supply		Ph/V/Hz	1/220-240/50/60	1/220-240/50/60	1/220-240/50/60	1/220-240/50/60
Treated air volume	(H/M/L/Q)	m³/h	2150/1980/1800/1600	2150/1980/1800/1600	2150/1980/1800/1600	2250/2000/1850/1650
High sound power		dB	66	66	66	66
Sound pressure		dB(A)	48/46/43/40	48/46/43/40	48/46/43/40	48/46/43/40
Net dimensions	WxDxH	mm	1650x230x680	1650x230x680	1650x230x680	1650x230x680
Packaging dimensions	WxDxH	mm	1750x305x779	1750x305x779	1750x305x779	1750x305x779
Net/gross weight		kg	43/51	43/51	43/51	43/51
Outdoor Unit						
Power supply		Ph/V/Hz	1/220-240/50/60	3/380-415/50/60	1/220-240/50/60	3/380-415/50/60
Power cable		N x mm²	3 x 6,0	5 x 4,0	5 x 6,0	5 x 4,0
Interconnection cable		N x mm²	4 x 2,5	4 x 2,5	4 x 2,5	4 x 2,5
Sound power	H	dB	72	72	70	72
Sound pressure	H	dB(A)	58	58	53	53
Running current cooling/heating	Max	A	30,0	10,0	32,0	10,0
Starting current cooling/heating	Max	A	5,0	2,0	6,0	2,0
Net dimensions	WxDxH	mm	950x370x965	950x370x965	950x370x1350	950x370x1350
Packaging dimensions	WxDxH	mm	1050x485x1130	1050x485x1130	1050x485x1500	1050x485x1500
Net/gross weight		kg	84/89	85/90	105/118	101/116
Compressor type			Twin Rotary Inverter	Twin Rotary Inverter	Twin Rotary Inverter	Twin Rotary Inverter
Installation data						
Refrigerant			R32	R32	R32	R32
Liquid pipe	Ø	mm (inch)	9,52 (3/8)	9,52 (3/8)	9,52 (3/8)	9,52 (3/8)
Gas pipe	Ø	mm (inch)	15,88 (5/8)	15,88 (5/8)	15,88 (5/8)	19,05 (3/4)
Standard pipe length without refrigerant charge		m	30	30	30	30
Maximum pipe length		m	70	70	70	70
Maximum IU - OU elevation		m	30	30	30	30
Refrigerant charge in the factory		kg	2,3	2,3	2,9	3,5
Refrigerant charge in the factory		TCO2eq	1,55	1,55	1,96	2,36
Additional ref, charge over std length		g/m	45	45	45	60
Outdoor operating limits - COOLING	min-max	°C	-20-46			
Outdoor operating limits - HEATING	min-max	°C	-20-24			

The data in this catalogue is purely indicative as the data may vary. Please be advised to check the accuracy of the data with the supplier before purchasing products.