

Magnetic drilling machine

ECO.200

Serial number:

Date of purchase:

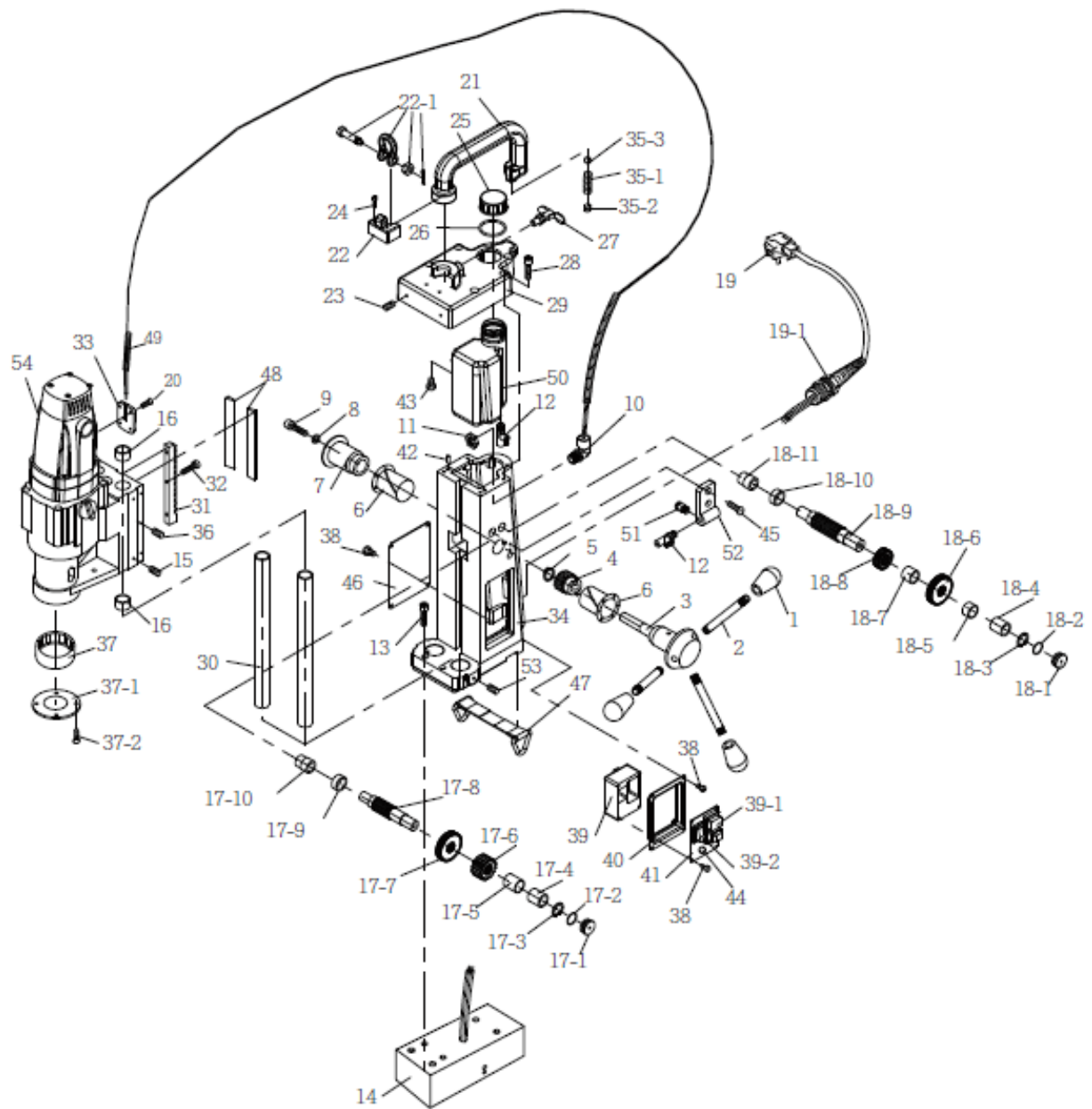
Don't forget to register your machine at:

www.euroboor.com/register

[only when registered you benefit from extended warranty]

Appendix 1

Exploded View | ECO.200 | Machine



Parts List | ECO.200 | Machine

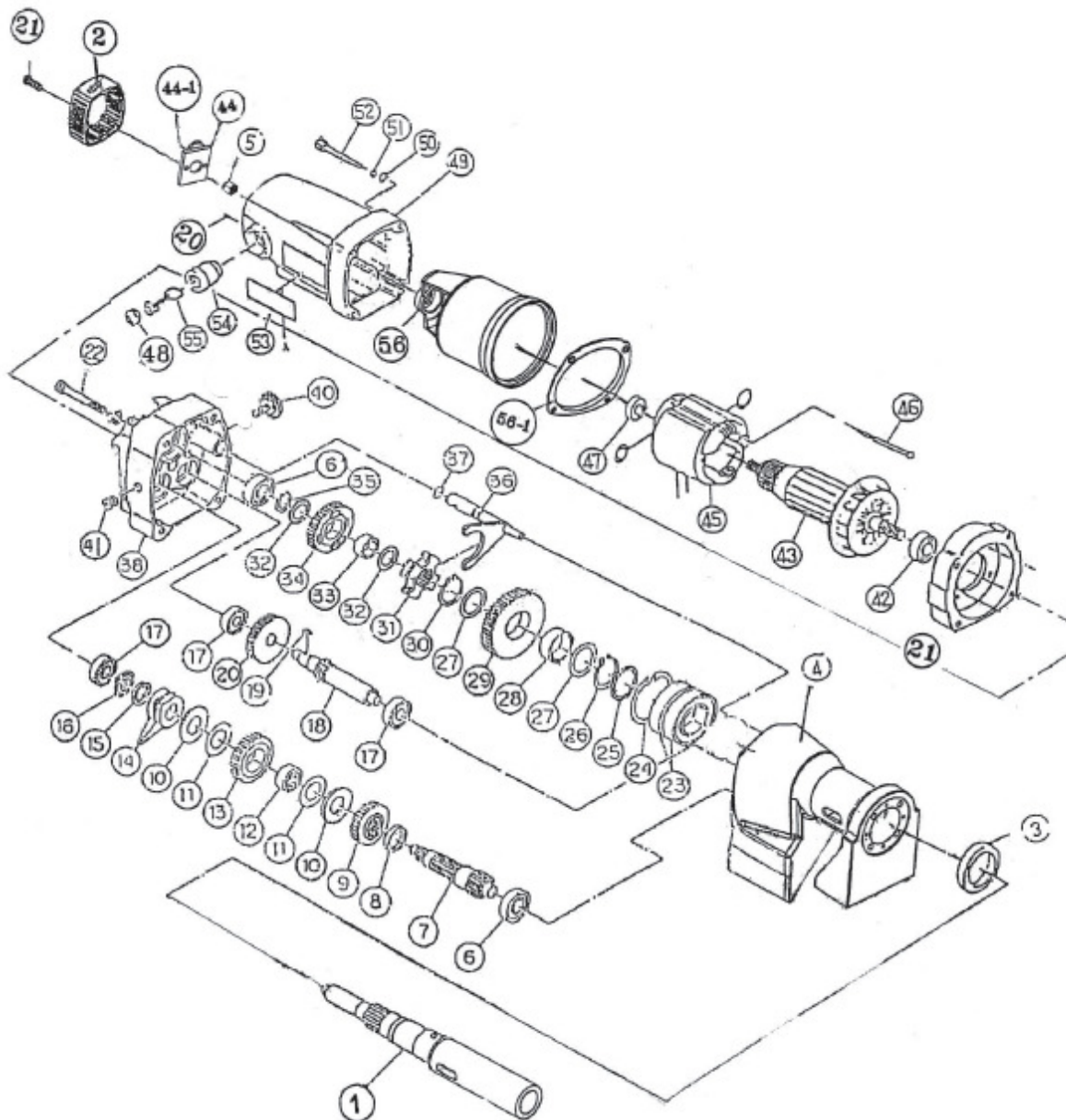
Part	Description	Qty
1	Capstan knob	3
2	Capstan arm	3
3	Capstan pinion shaft	1
4	Pinion	1
5	Snap ring	1
6	Bearing	2
7	Shaft sleeve	1
8	Shakeproof washer	1
9	Hex socket screw	1
10	Tube connector	1
11	Lock nut	1
12	Valve	2
13	Hex head socket screw	4
14	Magnet base	1
15	Socket screw	4
16	Bush	4
17-1	Third pinion cover	1
17-2	O-ring	1
17-3	Circlip	1
17-4	Copper bushing	1
17-5	Plastic sleeve 20L	1
17-6	Gear 38xT20	1
17-7	Gear 50xT48	1
17-8	Third pinion	1
17-9	Plastic sleeve 8L	1
17-10	Copper bushing	1
18-1	Third pinion cover	1
18-2	O-ring	1
18-3	Circlip	1
18-4	Copper bushing	1
18-5	Plastic sleeve	1
18-6	Gear 50xT48	1
18-7	Plastic sleeve 20L	1
18-8	Gear 30xT28	1
18-9	Third pinion	1

Part	Description	Qty
18-10	Plastic sleeve 8L	1
18-11	Copper bushing	1
19	Main cable assembly	1
19-1	Cable clamp	1
20	Screw	4
21	Hand hold	1
22	Handle cover	1
22-1	Lifting point assembly	1
23	Socket screw	2
24	Hex head socket screw	2
25	Plastic cap	1
26	O-ring	1
27	Plug fix	1
28	Hex head socket screw	4
29	Upper cover	1
30	Steel conduit	2
31	Rack	1
32	Hex head socket screw	3
33	Cable cover	1
34	Housing assembly	1
35-1	Steel ball	1
35-2	Spring	1
35-3	Socket screw	1
36	Socket screw	6
37	Arbor bearing	1
37-1	Conductor copper base plate	1
37-2	Screw	4
38	Screw	12
39	Control panel assembly	1
39-1	Red & green stop-start button	1
39-2	Power switch (magnet)	1
40	Name plate mount	1
41	Information plate (ECO.200.PPF front panel)	1
42	Tension pin	2
43	Screw	2
44	Thermal switch	1
45	Screw	2
46	Logo plate (ECO.200.PPR Rear panel)	1

Part	Description	Qty
47	Safety strap	1
48	Copper block	2
49	Motor cable assembly	1
50	Oil bottle	1
51	Connector straight	1
52	Fuel tube mount	1
53	Socket screw	2
54	Motor assembly	1

Appendix 2

Exploded view | ECO.200 | Motor Unit & Gearbox



Parts List | ECO.200 | Motor Unit & Gearbox

Part	Description	Qty
1	Arbor spindle	1
2	End cap	1
3	Seal	1
4	Gearbox assembly	1
5	Speed sensor	1
6	Ball bearing	2
7	Third pinion (H)	1
8	Thrust washer	1
9	Spacer	1
10	Shake proof washer	2
11	Thrust washer	2
12	Shake proof washer	1
13	Third gear	1
14	Disk spring	3
15	Metal collar	1
16	Lock nut	1
17	Ball bearing	2
18	Second pinion	1
19	Key	1
20	Second gear	1
21	Inner cap	1
22	Screw	4
23	Ball bearing	2
24	Circlip	1
25	Metal collar	2
26	Circlip	1
27	Metal collar	1
28	Metal	1
29	Final gear (L)	1
30	Circlip	1
31	Shift ring	1
32	Metal collar	2
33	Metal	1
34	Final gear (H)	1
35	Circlip	1

Nr	Component	Qty
36	Shift lever	1
37	Seal	1
38	Inner gear plate	1
40	Gear selector	1
41	Screw	1
42	Ball bearing	2
43	Rotor	1
44	Speed controller assembly	1
44-1	Screw	2
45	Stator	1
46	Screw	2
47	Ball bearing	1
48	Carbon brush cover	2
49	Motor housing	1
50	Metal collar	4
51	Disk seal	4
52	Socket head cap screw	4
53	Logo plate	1
54	Brush holder	2
55	Carbon brush 7x17	2
56	Aluminium bush	1
56-1	Insulation spacer	1