

Spare parts - Version 1
Serial number:

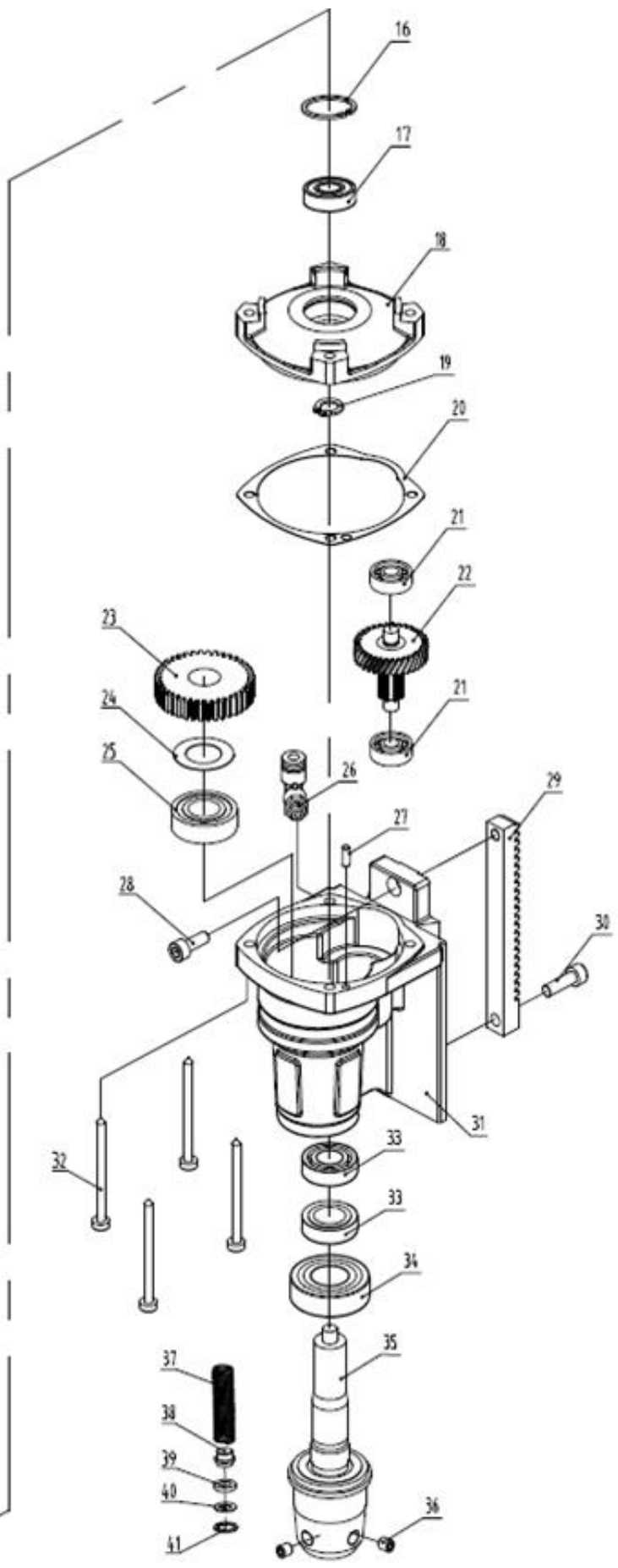
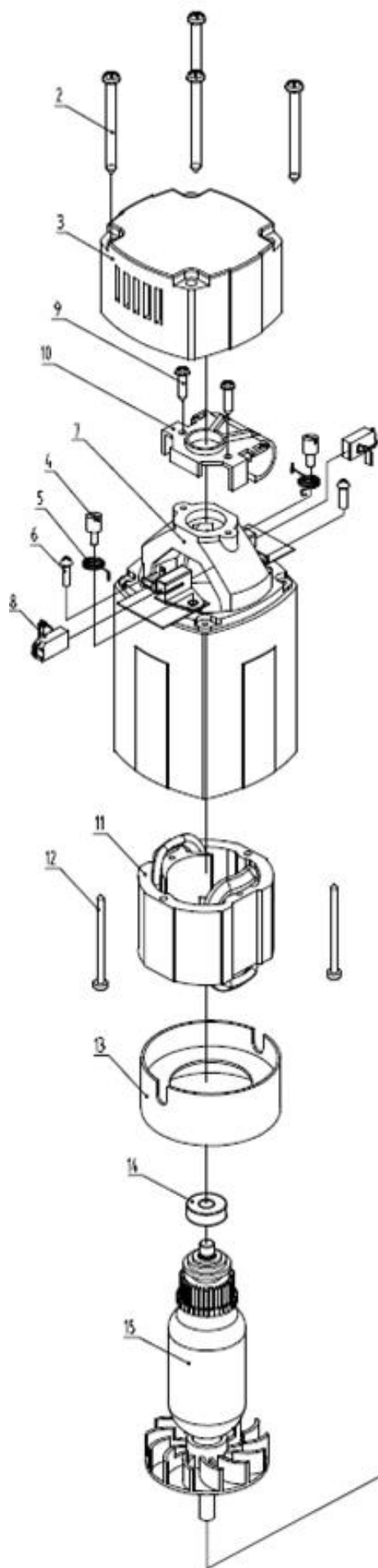
 **EUROBOOR**
FOR PROFESSIONALS BY PROFESSIONALS

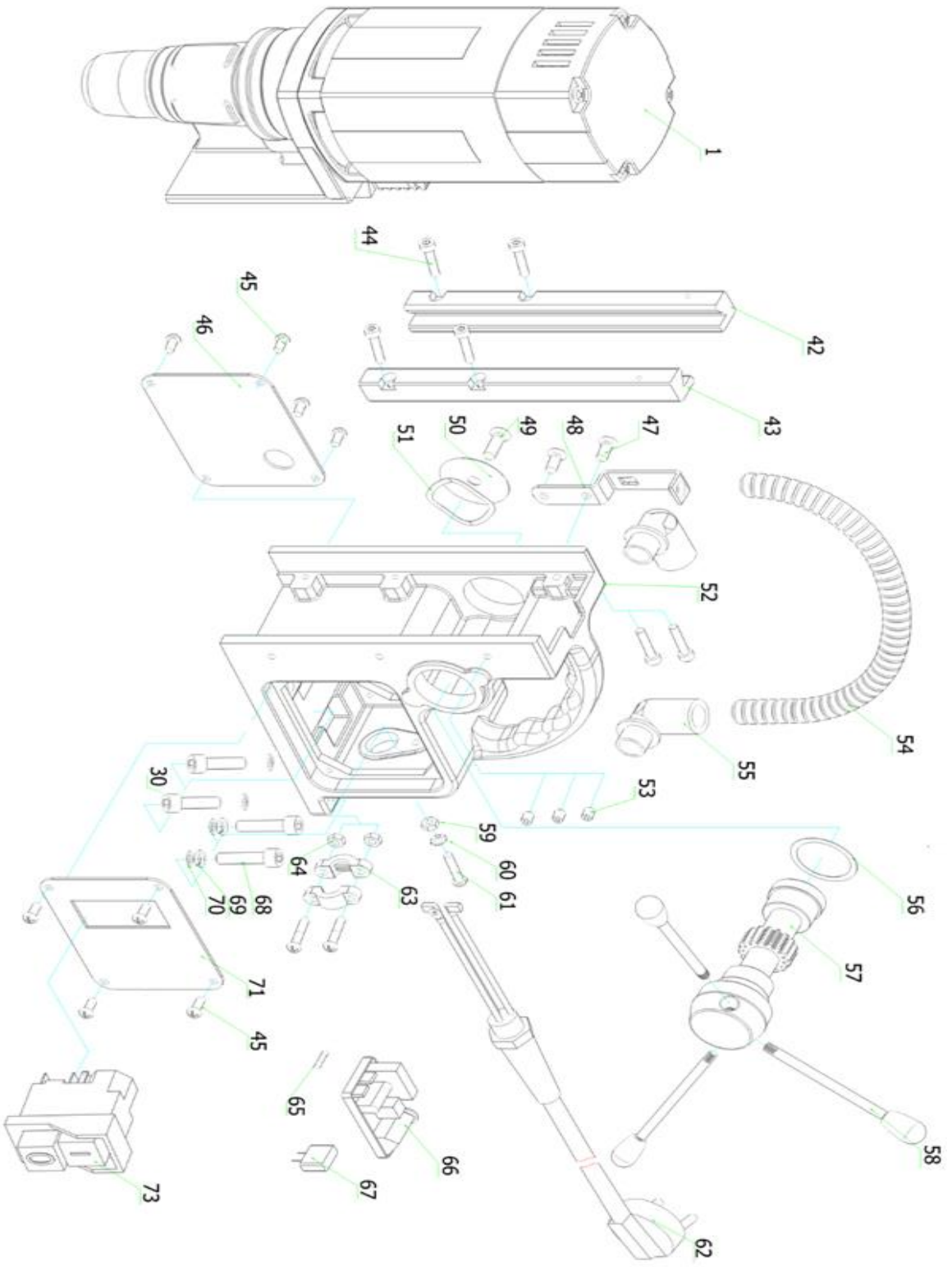
Magnetic drilling machine

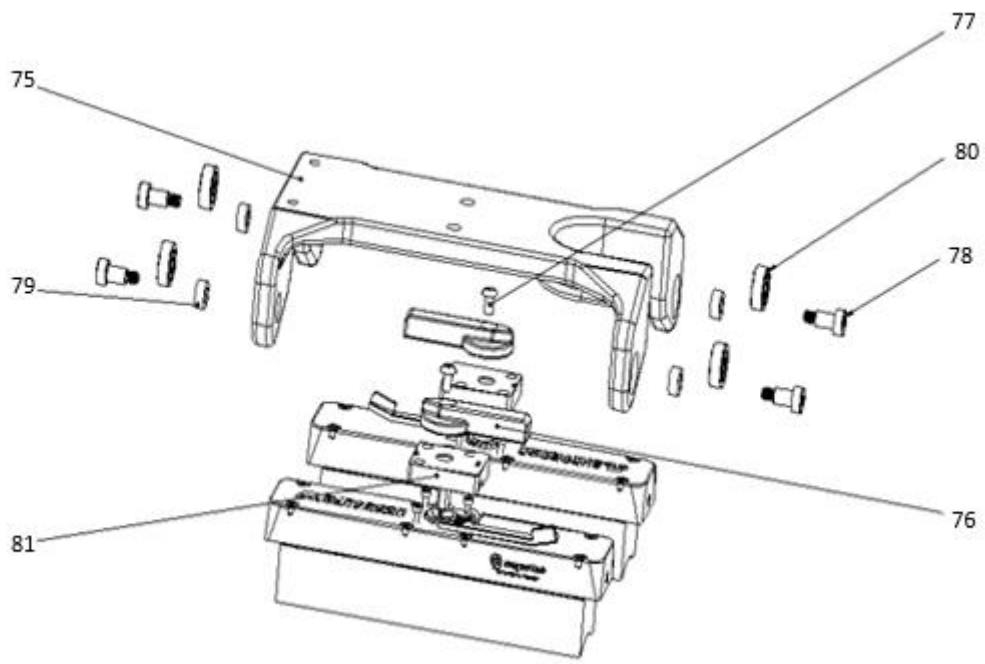
TUBE.30 – V1

Is your serial number missing? Please contact Euroboor and ask them for more information.

Last update: August 25th, 2020







No.	Part number	Description
1	030E.5001	Motor complete
2	032.0106	Screw BK4,8x55
3	032.0111	End Cover
4	032.0136	Screw for spring
5	032.0141	Spring
6	032.0142	Screw M4x15
7	032.0241	Housing
8	032.0146	Carbon Brush Set 220v
	032.0147	Carbon Brush set 110v
9	032.0116	Screw 4,2x13
10	032.0131	Adaptor Ring Cap
11	032.0151	Field 220v
	032.0152	Field 110v
12	032.0156	Screw M4x55
13	032.0161	Baffle
14	032.0126	Bearing 608
15	032.0181	Armature 220-240v
	032.0182	Armature 110-120v
16	032.0166	Circlip 472/28
17	032.0171	Bearing 6001
18	032.0236	Inner Gear Plate
19	032.0176	Circlip 471/10
20	032.0237	Gasket small
21	032.0126	Bearing 608
22	032.0226	First Gear
23	032.0186	Spindle Gear
24	032.0191	Adaptor ring
25	032.0196	Bearing 6003
26	KSP.N/2	Coolant nipple quick connect
27	032.0211	Casing Pin
28	030E.5028	M6x12
29	030E.5029	Rack
30	100A.0014	Hex screw M8x25
31	030E.5031	Gear Box
31/Set	030E.5031/Set	Gear box complete
32	032.0216	Screw BK5x40
33	030E.5033	Seal
34	030E.5034	Bearing
35	030E.5035	Spindle
36	020.0136	M8x8
37-41	030E.5037	Spindle set ECO.30

No.	Part number	Description
42	030E.5042	Brass rail left
43	030E.5043	Brass rail right
44	020.0086/S	M4x20
45	020.0101	M4x8
46	PP.30/2ET	Back panel ECO-TUBE.30
47	020.0063	M5x10
48	KSP.M/2	Bracket
49	020.0081	End screw M6x16
50	020.0077	End Plate
51	030E.5051	Spring washer
52	030E.5052	Frame
53	020.0056/S	Setting Screw M5x6
54	020.0046	Motor cable complete
55	030E.5055	Coupling nut angle
56	030E.5056	Ring ϕ 28 x ϕ 34.5 x 0.2mm
57	020.0061/X	Capstan Hub Assembly
58	030E.5058	arm for capstan
59-61	030E.5060	Grounding set
62A	020.0036	Main cable
62B	020.0031	Coupling nut PG11 (main cable)
63-64	020.0037	Cable clamp set
65	020.0017	Fuse F2A
66	020.0001/3	Control Unit
67	020.0008	Capacitor
68	020.0146	Screw SSM6x25
69-70	020.0111	Washer
71	PP.30/1ET	Panel plate ECO-TUBE.30
73	030E.0091/Y	Motor switch (5-pin) 220-240V YELLOW
	030E.0092/Y	Motor switch (5-pin) 110V YELLOW
74	8000995	Magnet base ECO-TUBE.30 complete <i>Consisting of the following parts:</i>
75	3001234	Magnetic Base Frame
76	3001235	Magnet Handle Kit
77	180165	M5x8 Button Head
78	1801027	Shoulder Bolt, Mounting
79	1801028	Bushing, Brass
80	180158	Bearing
81	600244	Ratchet cover Red
82	8000996	Magnet array complete (incl. 76 & 77)