

Spare parts - Version 2  
Serial number: 301507xxx -

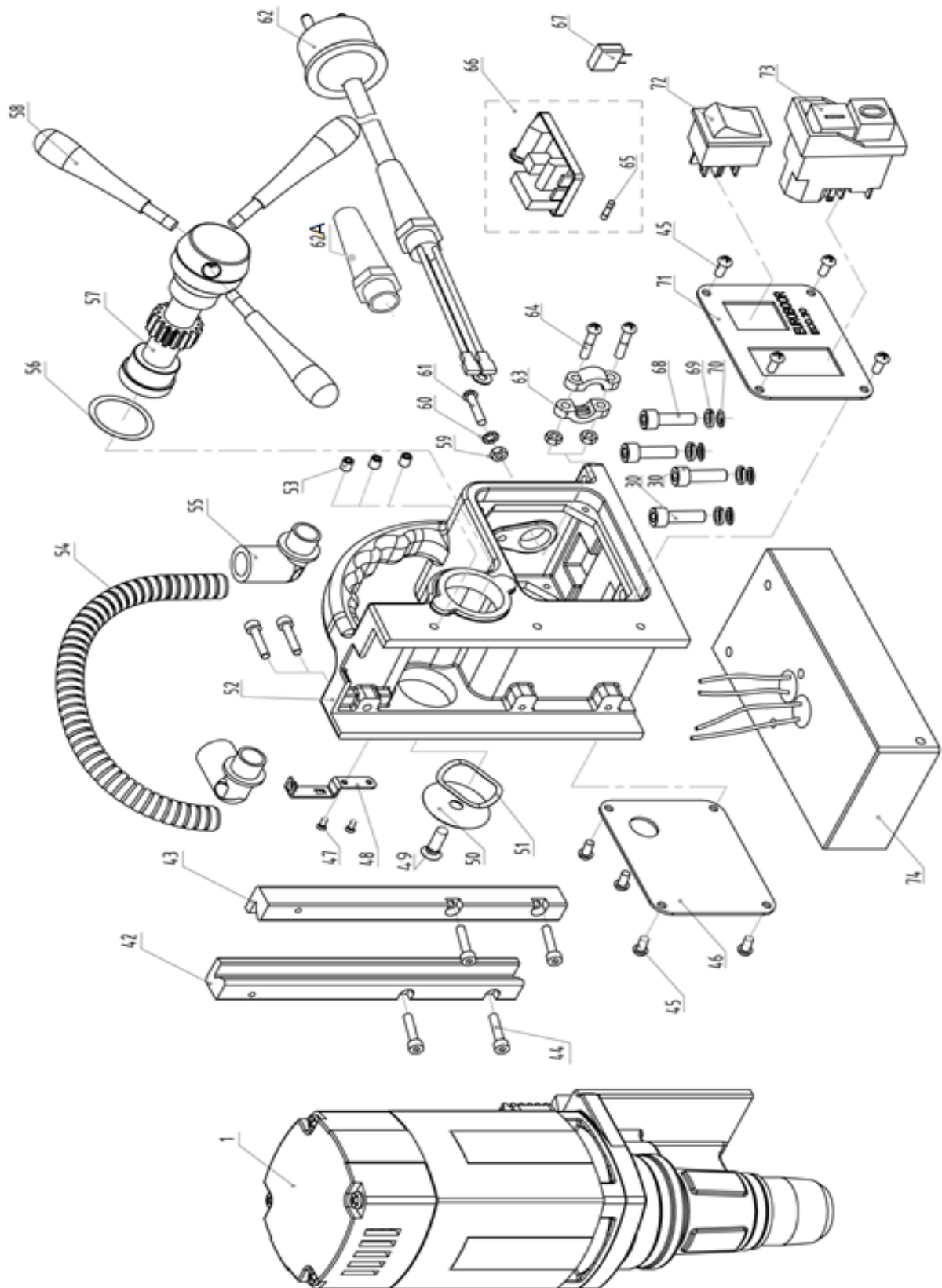
 **EUROBOOR**  
FOR PROFESSIONALS BY PROFESSIONALS

# Magnetic drilling machine

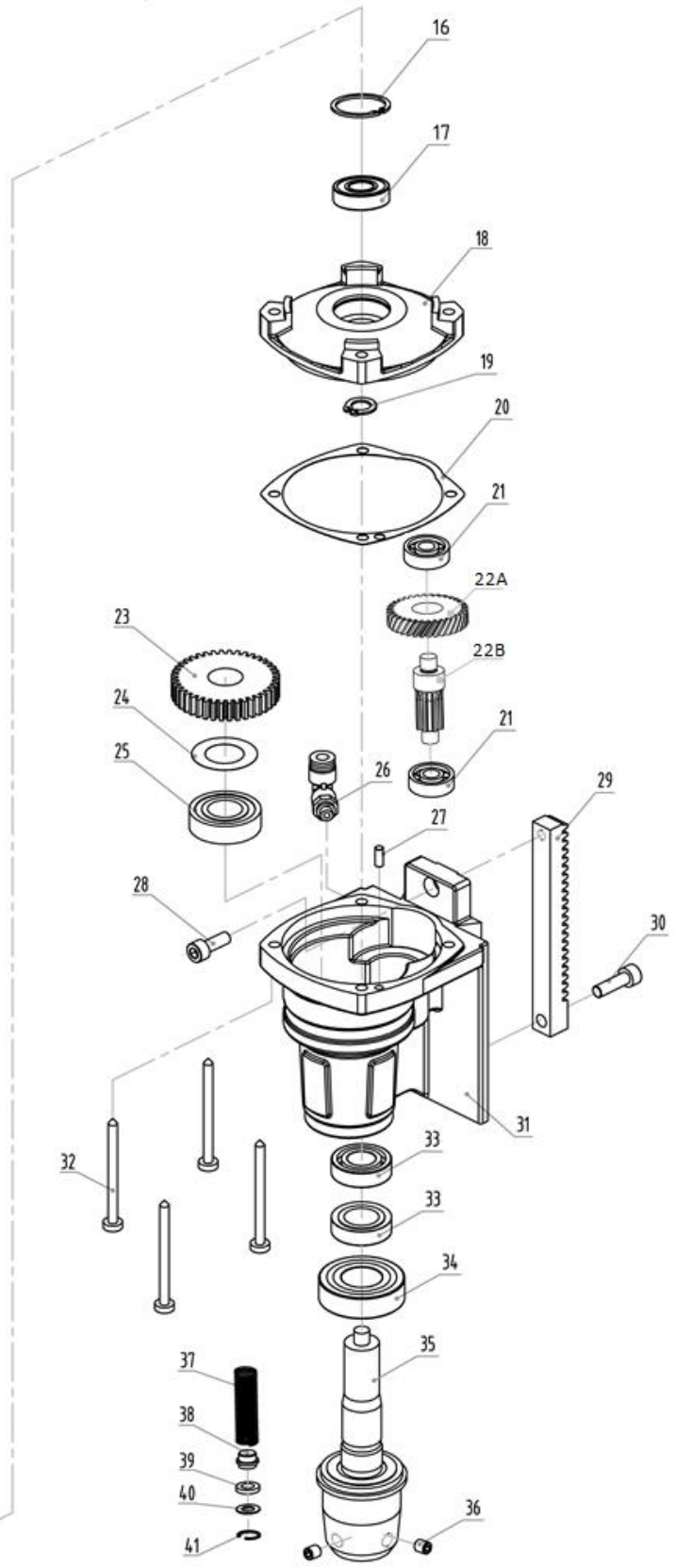
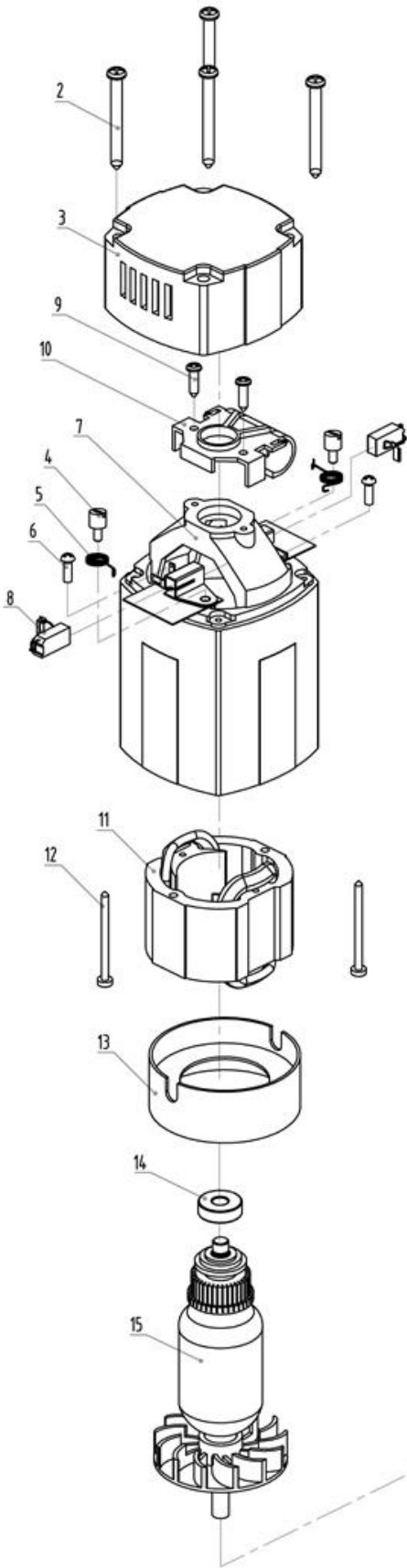
## **ECO.30 – V2**

Is your serial number missing? Please contact Euroboor and ask them for more information.

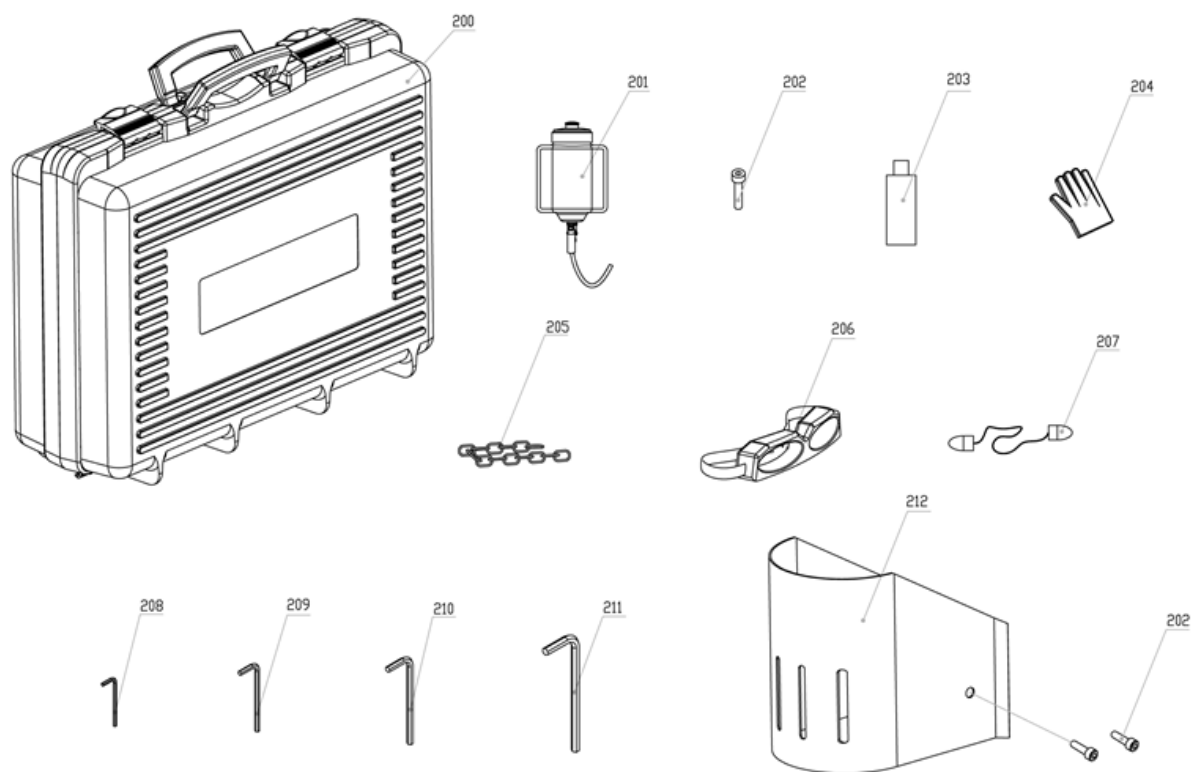
Last update: August 24th, 2020



No.	Part number.	Description.	Qty used.
1	030E.5001	Motor unit 220-230V	1
	030E.5002	Motor unit 110-120V	
42	030E.5042	Guide rail LEFT	1
43	030E.5043	Guide rail RIGHT	1
44	020.0229	Screw M4x20	6
45	020.0101	Panel Screw BKVZM4x8	8
46	PP.30/2	Back panel ECO.30	1
47	KSP.MS	Screw	2
48	KSP.M/4	Tank holder	1
49	020.0081	End Screw BKVZM6x20	1
50	020.0077	End Cover	1
51	030E.5051	Spring washer	1
52	030E.5052/2	Frame ECO.30 V2	1
53	020.0056/S	Screw	3
54	020.0046	Motor Cable	1
55	030E.5055	Coupling nut angle for motor cable	2
56	030E.5056	Ring $\phi 28 \times \phi 34.5 \times 0.2\text{mm}$	1
57	020.0061/X	Capstan hub assembly	1
58	030.0030/X	Arm for Capstan	3
59-61	030E.5060	Grounding Set Screw/washer/Nut	1
62	020.0036	Main cable complete 220-240V	1
	020.0036/AU	Main cable Australia	
	020.0036/UK	Main cable UK 220v	
	020.0036/UK 110-16A	Main cable UK 110v 16A	
	020.0036/USA	Main cable USA	
62A	020.0031	Coupling nut (Main cable) PG11	1
63-64	020.0037	Cable clamp	1
65	020.0017	Fuse 5x20 F2A	1
66	020.0001/3	Control unit ECO.30 220-230v	1
	020.0001/31	Control unit ECO.30 110-120v	
67	020.0008	Capicimator	1
68	020.0146	Screw M6 x 25	2
69	020.0111	Washer M6 DIN7980	4
70	020.0112	Washer	4
71	PP.30/1	Front panel ECO.30	1
72	020.0011	Magnet Switch	1
73	030E.0091/Y	Motor switch (5-pin) 220-240V	1
	030E.0092/Y	Motor switch (5-pin) 110-120V	
74	030E.5072/2	Magnet V2	1



No.	Part number.	Description.	Qty used.
2	032.0106	Screw BK4,8 x 55	4
3	032.0111	End Cover	1
4	032.0136	Screw for spring	2
5	032.0141	Spring	2
6	020.0183	Screw	2
7	032.0241	Housing incl. carbon brush holders	1
8	032.0146	Carbon Brush Set 220v	2
	032.0147	Carbon Brush set 110v	
9	032.0116	Screw	2
10	032.0131	Adaptor ring cap	1
11	032.0151	Field 220v	1
	032.0152	Field 110v	
12	032.0156	Screw BK4x55	2
13	032.0161	Baffle	1
14	032.0126	Bearing 8x22x7 608	1
15	032.0181	Armature 220-240V	1
	032.0182	Armature 110-120V	
16	032.0166	Circlip 472/28/1.2	1
17	032.0171	Bearing 6001 12 x 28 x 8	1
18	032.0236	Inner gear plate	1
19	032.0176	Circlip 471/10/1	1
20	032.0237	Gasket small	1
21	032.0221	Bearing 608 (8x22x7)	2
22A	032.0226	First Gear 34T	1
22B	032.0231	Axle 8T	1
23	032.0186	Spindle Gear 40T	1
24	032.0191	Adaptor ring	1
25	032.0196	Bearing 6003 (17x35x10)	1
26	KSP.S	Coolant Connector	1
27	032.0211	Casing pin	1
28	030E.5028	Bolt M6X12	1
29	030E.5029	Rack	1
30	020.0156	Screw SSM6x20	3
31	030E.5031	Gear casing	1
31/set	030E.5031/Set	Gear casing complete	
32	032.0216	Screw	4
33	030E.5033	Sealant	2
34	030E.5034	Bearing	1
35	030E.5035	Spindle inc. spring set	1
36	020.0136	Fixing Screw M8x8	2
37-41	030E.5037	Spring set ECO.30	1



No.	Part number.	Description.	Qty used.
200	CAS.30	Case for ECO 30	1
201	KSP.Q2	Coolant System Quick Connect	1
202	020.0511	Bolt M5x10	3
203	IBO.10.200	Cutting Oil 200ml	1
204	SAF.300	Protective gloves	1
205	SAF.400	Safety Chain 1 mtr.	1
206	SAF.100	Safety goggles	1
207	SAF.200	Ear plug	1
208	IMB.US2.5	Allen key 2.5mm	1
209	IMB.US3	Allen key 3mm	1
210	IMB.US4	Allen key 4mm	1
211	IMB.US5	Allen key 5mm	1
212	SAF.MDMS	Safety Guard small	1