

# Magnetic drilling machine

with integrated motor cable and standard electromagnet

# ECO.40S+

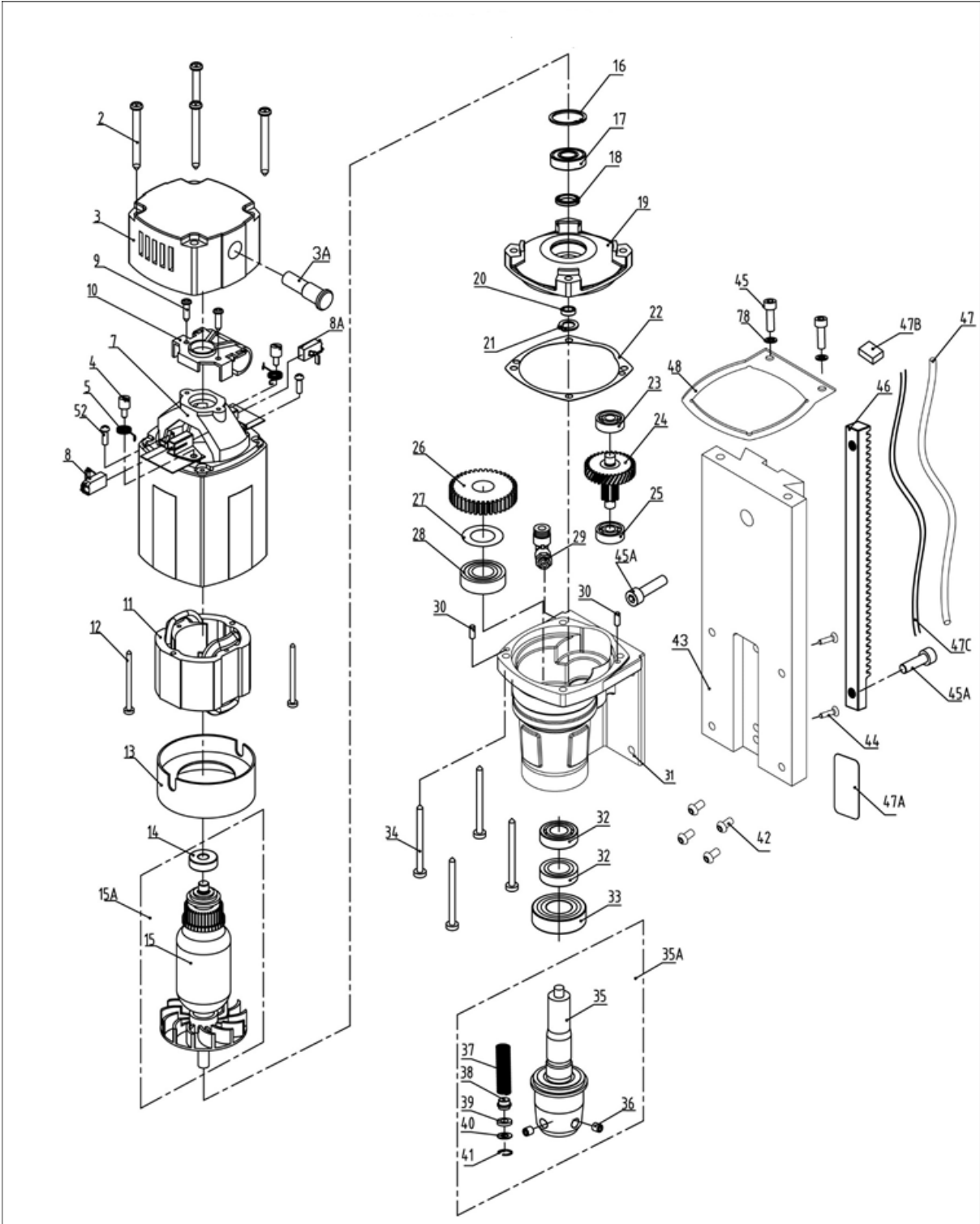
Serial number:

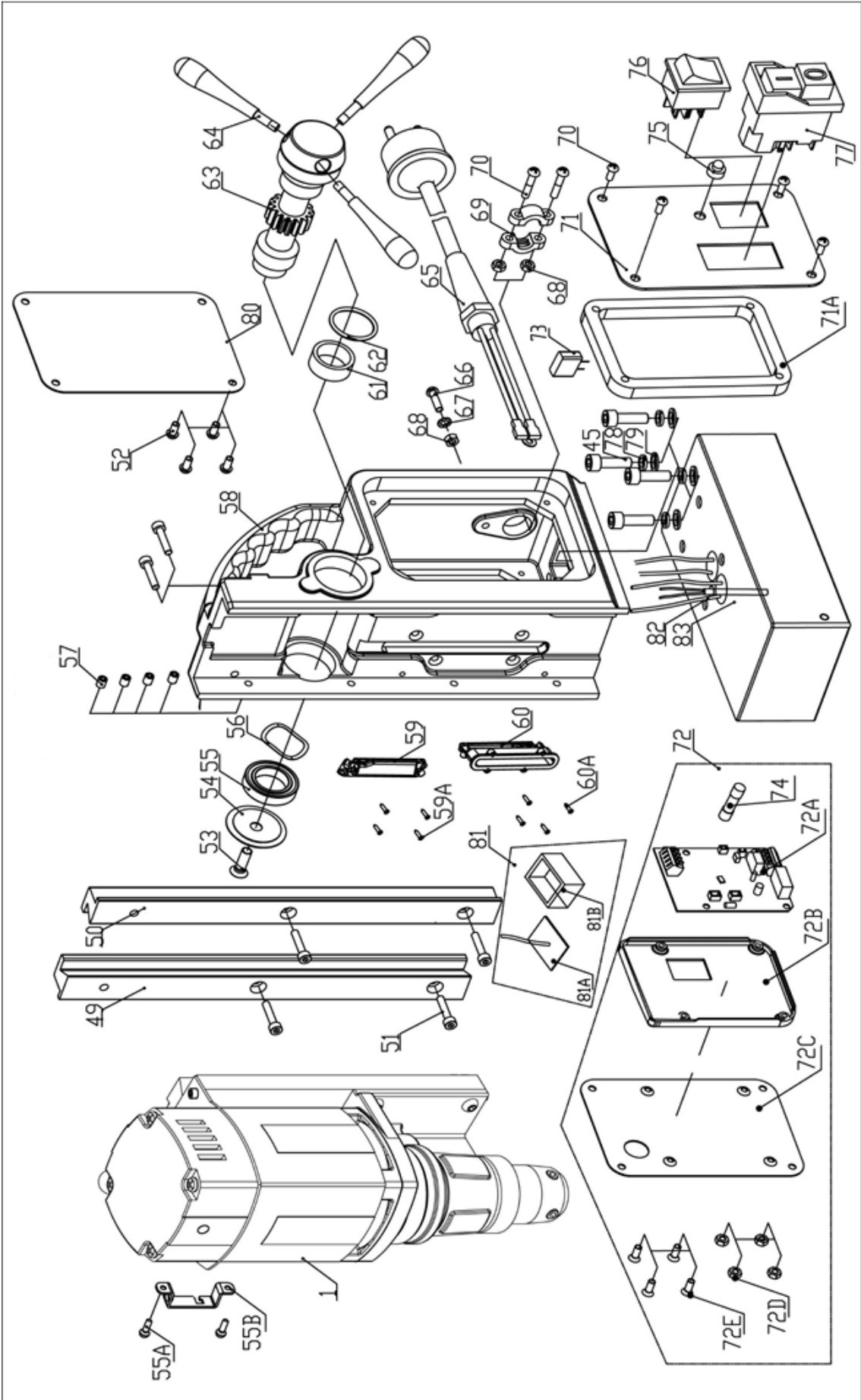
Date of purchase:

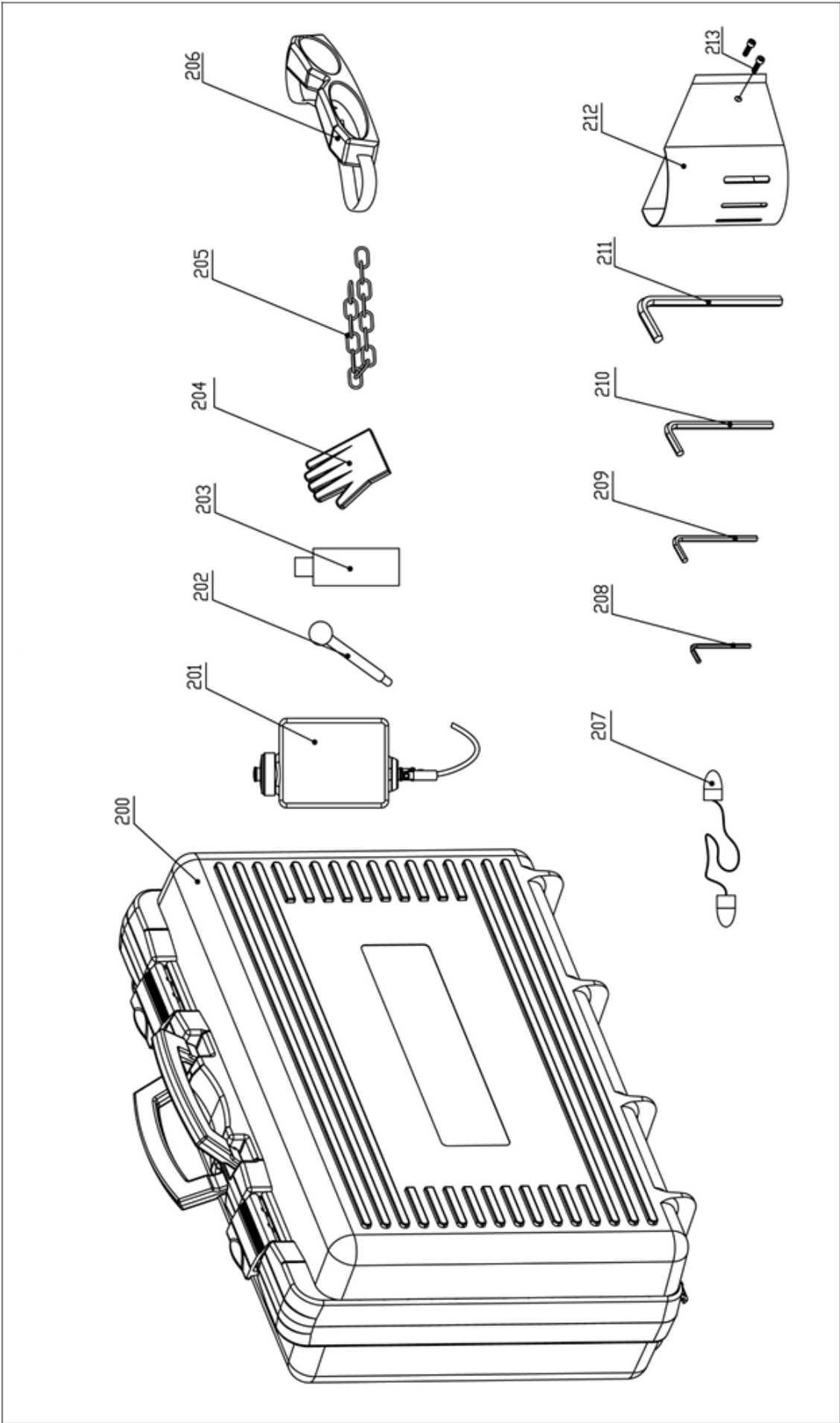
**Don't forget to register your machine at:**

[www.euroboor.com/register](http://www.euroboor.com/register)

[ only when registered you benefit from extended warranty ]







No.	Part no.	Description	Qty
1	040S+.1001	ECO.40S+ motor unit 220V int. cable	1
	040S+.1001A	ECO.40S+ motor unit 110V int. cable	
2	036.0043	Torx screw M4.8 x 55	4
3	040S.0022	End cover	1
3A	020.0278	Led indicator red alarm 110 - 220 Volt	1
4	032.0136	Screw for spring	2
5	032.0141-1	Spring	2
7	040S.1012	Motor housing	1
8	032.0146	Carbon brush set 220V	1
	032.0147	Carbon brush set 110V	
8A	032.0146AUTO	Carbon brush 110 - 220 Volt	1
9	032.0116	Screw M4 x 16	2
10	032.0131-1	Adapter ring cap	1
11	040S.0276	Field 220V	1
	040S.0277	Field 110V	
12	020.0024	Screw M4 x 60	2
13	032.0161	Baffle	1
14	032.0126	Bearing 608ZZ 8 x 22 x 7	1
15A	040S.1011	Armature set 220V	1
	040S.1011A	Armature set 110V	
16	032.0166	Circlip 472/28/1.2	1
17	050.9070	Bearing 6001V V	1
18	050.0064	Oil bearing 15 x 21 x 3	1
19	040S.0236X	Inner gear plate	1
20	040S.0065	Rotor iron seal	1
21	020.0308	Circlip	1
22	040S.0128	Gasket	1
23	032.0221	Bearing 608 8 x 22 x 7	1
24	360.1013	Bevel gear assembly	1
25	020.0636	Bearing	1
26	360.1014	Spindle gear	1
27	032.0191	Adapter ring 17 x 24 x 0.2	1
28	032.0196	Bearing 6003 17 x 35 x 10	1
29	KSP.S	Coolant connector Quick (blue ring)	1
30	050.0025	Pin 4 x 10	2
31	040S.0008	Gear box	1
32	030E.5033	Seal	2
33	030E.5034	Bearing nsk 6004 ddu	1
34	050.0106	Screw 4.8 x 45	4
35A	030E.5035	Spindle inc. spring set	1
36	020.0136	Grub screw M8 x 8	2
<b>No.</b>	<b>Part no.</b>	<b>Description</b>	<b>Qty</b>
37	030E.5037	Spring set	1

38			
39			
40			
41			
42	020.0471	Screw	4
43	040S.0024	Slide 219 mm	1
44	020.0309	Screw	2
45	020.0156	Bolt M6 x 20	6
45A	020.0106	Screw M6 x 14	2
46	040S.0025	Joint 1.5*21T	1
47	040S.0017	Spring sleeve 250 x 8.5 x 0.6	1
47A	040S.0029	Cover 74 x 15 x 1.5	1
47B	040S.0028	Connector PCT-222 (SPL-2)	1
47C	040S.0016	Two-core cable 410 x 6.8	1
48	040S.0041	Top-fixing-plate	1
49	P040S.0193D	Rail set aluminium (R/L)	1
50			
51	020.0063	Screw M5 x 20	6
52	020.0101	Panel screw BKVZ M4x8	10
53	020.0081	End screw BKVZ M6 x 16	1
54	050.0030	Ender cover Ø36 X 3	1
55	050.0063	Bearing 6804 ZZ	1
55A	020.0063	Screw M5 x 20	2
55B	020.0289	Tank holder	1
56	040.0023	Washer	1
57	020.0056/S	Screw SS M5 x 6	4
58	040S.0012	Frame	1
59	040S.0014	Cover	1
59A	040S.0026	Screw	4
60	040S.0013	Cable box	1
60A	020.0329	Screw M4 x 16	4
61	032.0127A	Bearing 110 - 220 Volt	1
62	030.0027	Washer	1
63	020.0061/Z	Capstan hub assembly	1
64	020.0315	Arm for capstan	3
65	020.0036	Main cable 220V EU	1
	020.0036/AU	Main cable Australia	
	020.0036/UK	Main cable UK 220v	
	020.0036/UK 110-16A	Main cable UK 110v 16A	
	020.0036/USA	Main cable USA	
	020.0031	Coupling nut PG11 (main cable)	1
66	020.0182	Grounding screw/washer/nut	1
67			
68			
<b>No.</b>	<b>Part no.</b>	<b>Description</b>	<b>Qty</b>
68			
69	020.0037	Cable clamp complete	1
70			

71	040S.0015	Front panel ECO.40S+	1
71A	032T.0009	Spacer	1
72	032.1008ZQ	Control unit 110-220V 2 pins	1
73	020.0257	Capacitance	1
74	020.0017	Fuse 5 x 20 F2A	1
75	020.0206	LED indicator set	1
76	020.0011-1	Magnet Switch	1
77	030E.0091/Y	Motor switch 220V (5-pin) YELLOW	1
	030E.0092/Y	Motor switch 110V (5-pin) YELLOW	
78	020.0111	Washer M6 DIN7980	6
79	020.0112	Washer M6	4
80	PP.RSEU-220	Rear Panel EB 220V	1
	PP.RSEU-110	Rear Panel EB 110V	
81	055.1041	Gyroscope PCB set	1
82	100.1008	Sensor	1
<b>No.</b>	<b>Part no.</b>	<b>Description</b>	<b>Qty</b>
83	040S.1022	Magnet 220 Volt	1

	040S.1022A	Magnet 110 Volt	
200	040S+.2010	Case ECO.40S+ with sticker	1
201	KSP.Q2	Coolant tank Quick Connect 2015	1
202	KSP.P	Pin and knob for cooling tank	1
203	IBO.0.2L	Bottle 0.2LTR	1
204	SAF.300	Protective gloves	1
205	SAF.400	Safety chain (1 mtr) with lock	1
206	SAF.100	Safety goggles	1
207	SAF.200	Ear plugs	1
208	IMB.US2.5	Allen key 2.5 mm	1
209	IMB.US3	Allen key 3.0 mm	1
210	IMB.US4	Allen key 4.0 mm	1
211	IMB.US5	Allen key 5.0 mm	1
212	SAF.MDMS	Safety guard small	1
213	020.0223	Screw M5 x 10	2
	IBO.G101	Gearbox oil	1

# Wiring diagram

