

# Joinery (pre-final decorating)

Created 14-03-17

# 1. 1st Floor - Master Bedroom - Wardrobe Door

## Centre wardrobe door reinstalled

The carpet installer came to fit the master bedroom carpet on 8-3-17 before the rest of the house. There wasn't enough clearance under the front wardrobe door to be able to fit the carpet underneath. The door was removed so needs reinstalling and adjusting so the door sits higher to clear the carpet. It looks like there are adjustable elements at the bottom of the door to achieve this.



It looks like the elements below  
can be adjusted to change the height.

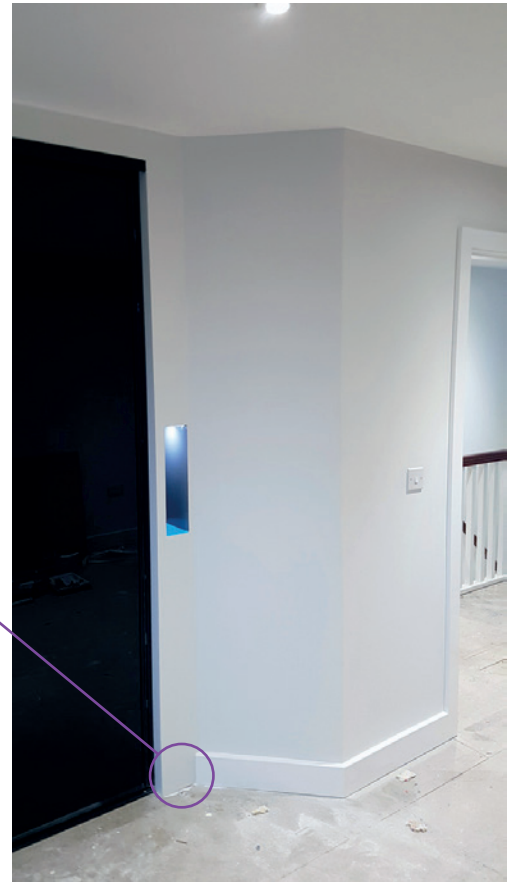
## 2. 1st Floor - Master Bedroom - Wardrobe Skirting

### 2 x Pieces of skirt on the frame of the wardrobe

To make the frame look like it is part of the wall it just needs 2 x pieces of the same skirt cut and applied to the front of the frame on either side. Please supply matching skirt or let me know for me to source.



It looks like the elements below can be adjusted to change the height.



Just a front piece on the face either side.

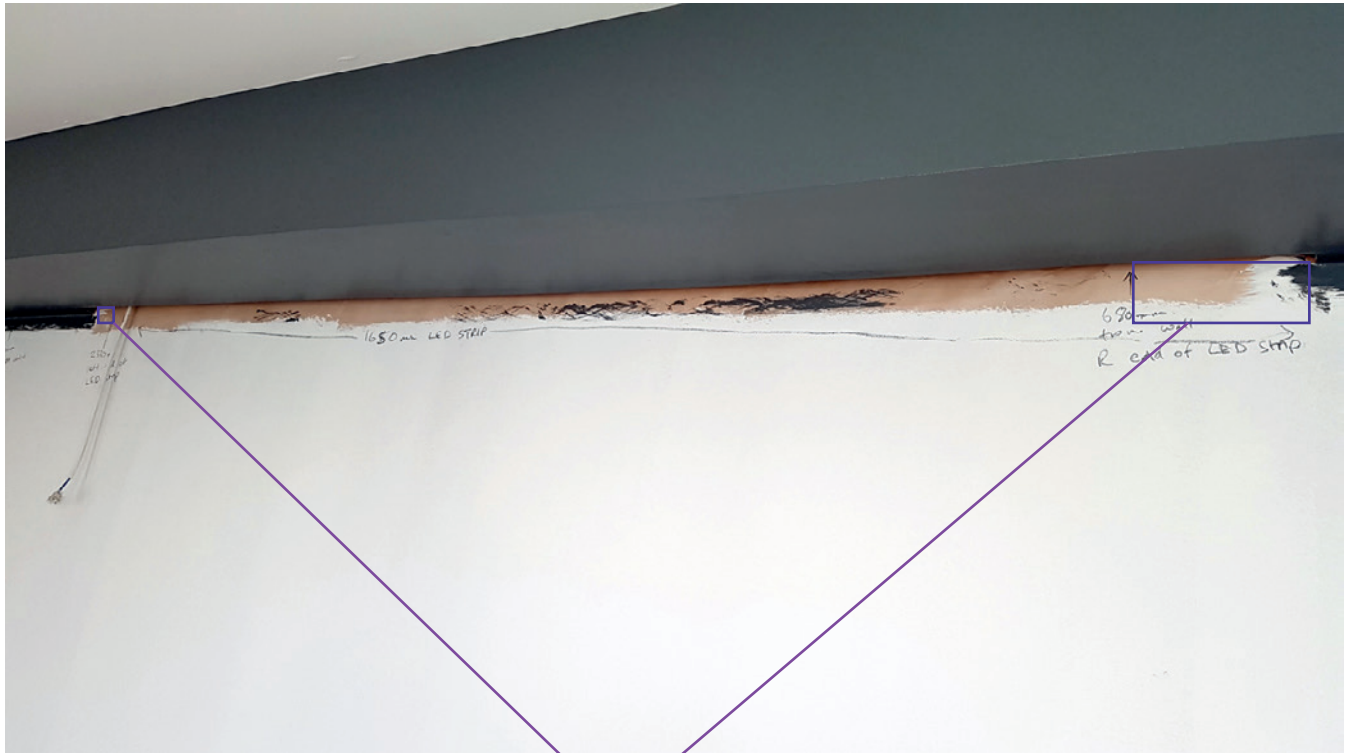
The front and top to be white gloss and inner edge ash grey the same as the wall and inner frame (the paints are on site - for decorator).



### 3. 1st Floor - Master Bedroom - Bulkhead

#### 2 x Returned MDF pieces to bump up to edge of LED Strip

The original notch was made oversize to allow for positioning of the 1650mm LED strip. This is now installed. The space at either ends needs to be filled and flush with the bottom on the bulkhead. Maybe give a slight return on the MDF pieces to obscure the edges of the LED strip when looking up. I will discuss on site.



2 x pieces of MDF (or preferred material) to fill in these gaps and be flush with the bottom of the bulkhead.



## 4. 1st Floor - Heating System Cupboard - Shelving

### Bespoke white shelving to hold towels

In the first floor cupboard some bespoke shelving is to be made to hold towels. They can be made from MDF with a white finish. Please supply and fit.

Bespoke MDF shelving to maximise the storage space in the cupboard above the heating system - gloss white finish.



## 5. Ground Floor - Playroom - 3 x Box Storage on Walls

3 x Ikea bought box storage attached to TV wall

3 x box storage supplied by the client to be fixed to the wall



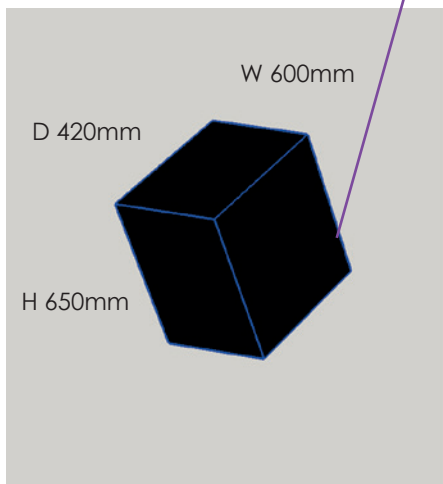
3 x of these boxes attached to the TV wall. To be supplied by the client.

## 6. Ground Floor - Living Room - 3 x Floating Furniture

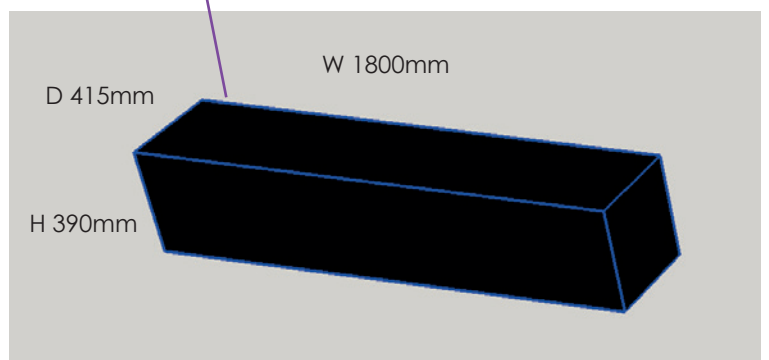
### 3 x Pieces of Ikea furniture fixed and floating on TV wall



These are the two cabinets to go on the left hand side. They are to be spaced out with the glass fronted one heighest.



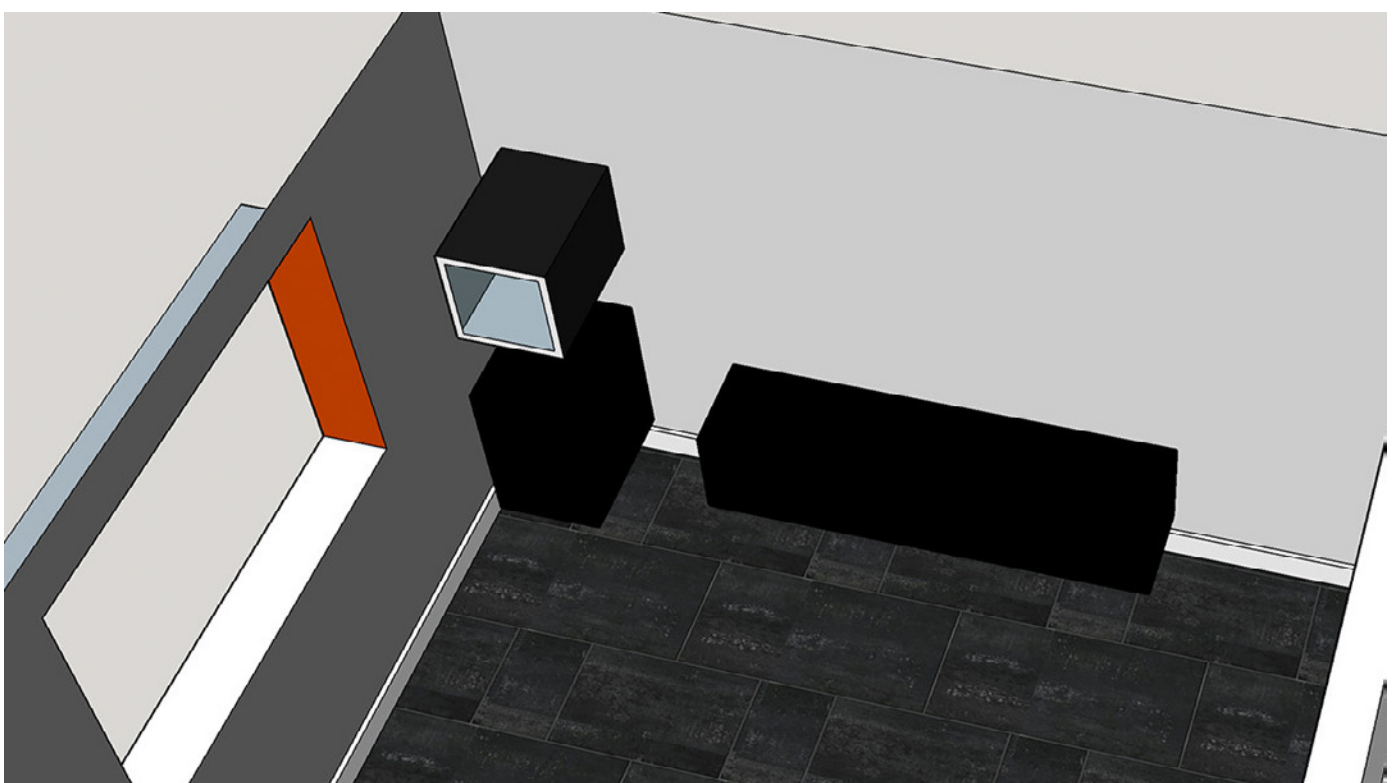
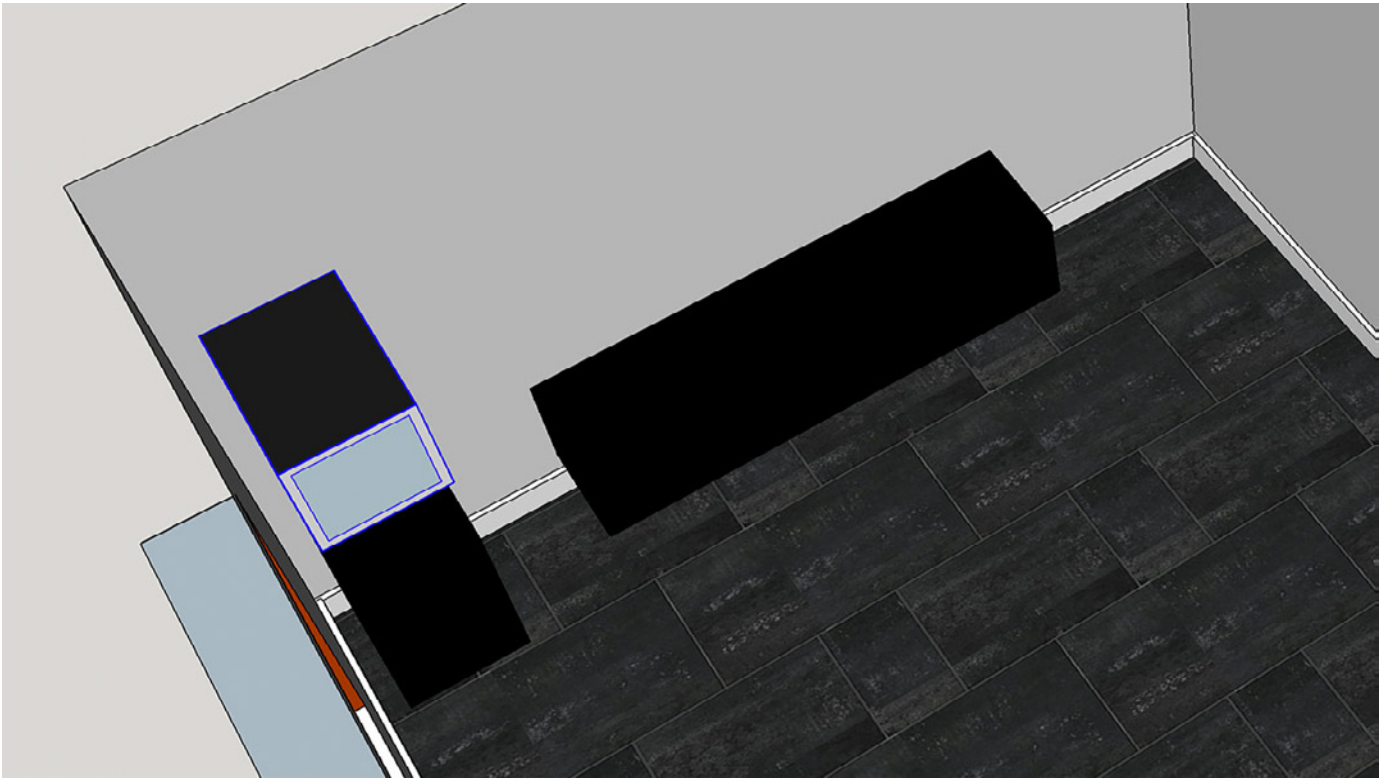
1 x 1800 x 415 x 390 cabinet.  
Placed at the same height as the middle cabinet.  
A hole cut in the back of the left hand cabinet to accommodate the socket.



1 x 1800 x 415 x 390 cabinet to be centred in the room  
under the TV and floating above skirt.  
Holes will have to be cut in back to accommodate sockets.

## 6b. Ground Floor - Living Room - 3 x Floating Furniture

3D Views of how it will look





## 7. Ground Floor - Under Stairs Cupboard - Shelving

A range of shelving to be put up in this cupboard.  
The client is to supply.

