



**ECHBERG**

**MANUTECH APS**

**WASHING - HANDLING - PACKING**

**CART SEALED CASE**



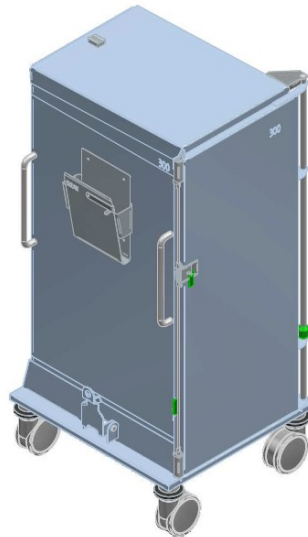


## CART SEALED CASE

OUTSIDE VIEW OF CART



CART WITH ACCESSORIES



INSIDE VIEW OF CART



## ECHBERG MANUTECH TRANSFER IDEAS INTO DAILY DISINFECTION AND WASHING

- ▶ For use in the hospital and pharmaceutical industry for sealed transport
- ▶ High temperature resistant for washing and sterilization
- ▶ Can be build to customers requirements and is designed for AGV transport
- ▶ High flexibility with many features and easy to operate
- ▶ Stainless steel design for high level of hygiene and easy to clean and maintain
- ▶ We cooperate directly with your service organization to ensure fast service

## WE MAKE YOUR CHOICE EASY



**ECHBERG MANUTECH**



Echberg Manutech ApS, Søvej 16, DK-8680 Ry, Denmark

Tel: +45 7025 0804 · Fax: +45 7025 0805 · [info@echbergmanutech.dk](mailto:info@echbergmanutech.dk) · [www.echbergmanutech.dk](http://www.echbergmanutech.dk)